



US00D764215S

(12) **United States Design Patent**
Kirar

(10) **Patent No.:** **US D764,215 S**

(45) **Date of Patent:** **** Aug. 23, 2016**

- (54) **CHAIR**
- (71) Applicant: **The McGuire Furniture Company**, San Francisco, CA (US)
- (72) Inventor: **Laura Kirar**, New York, NY (US)
- (73) Assignee: **KOHLER INTERIORS FURNITURE COMPANY**, Hickory, NC (US)
- (**) Term: **14 Years**
- (21) Appl. No.: **29/514,506**
- (22) Filed: **Jan. 13, 2015**

- D421,853 S 3/2000 Black
- D422,422 S 4/2000 Black
- D431,117 S 9/2000 Hutton
- D431,118 S 9/2000 Hutton
- D465,341 S 11/2002 Hutton
- D466,312 S 12/2002 Hutton
- D473,723 S 4/2003 Pessa
- D486,652 S 2/2004 Nemeth
- D504,781 S 5/2005 Suzuki et al.
- D509,370 S 9/2005 Natuzzi
- D533,365 S 12/2006 Martin
- D536,541 S 2/2007 Kreiss
- D546,570 S 7/2007 Kreiss
- D549,470 S 8/2007 Hutton

(Continued)

Primary Examiner — Sandra Snapp
(74) *Attorney, Agent, or Firm* — Foley & Lardner LLP

Related U.S. Application Data

- (62) Division of application No. 29/468,745, filed on Oct. 2, 2013, now Pat. No. Des. 722,441.
- (51) **LOC (10) Cl.** **06-01**
- (52) **U.S. Cl.**
USPC **D6/717.2**
- (58) **Field of Classification Search**
USPC D6/334, 335, 336, 379, 381, 369, 717,
D6/717.2, 716; 297/94, 118, 232, 445.1,
297/448.1, DIG. 7
CPC A47C 17/00; A47C 17/02; A47C 17/12;
A47C 17/18; A47C 7/021; A47C 31/00;
A47C 3/16
See application file for complete search history.

(57) **CLAIM**
I claim the ornamental design for a chair, as shown and described.

DESCRIPTION

FIG. 1 is a top, front, right perspective view of an embodiment;
FIG. 2 is a front elevation view thereof;
FIG. 3 is a rear elevation view thereof;
FIG. 4 is a left elevation view thereof;
FIG. 5 is a right elevation view thereof;
FIG. 6 is a top plan view thereof; and,
FIG. 7 is a bottom plan view thereof.

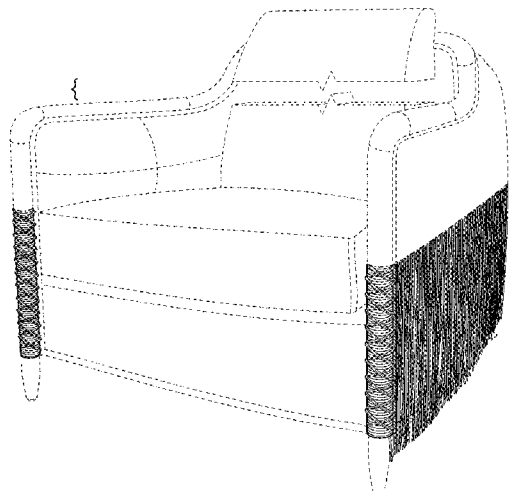
The ornamental design which is claimed is shown in solid lines in the drawings. The broken lines in the drawings are for illustrative purposes only and form no part of the claimed design. Broken lines formed by equal length dashes show unclaimed portions of the design. Broken lines formed of unequal length dashes (i.e., dash-dot) show boundaries between claimed and unclaimed portions of the design. Lines having a jagged element are not part of the claimed design and show that no particular length of the portion is claimed.

1 Claim, 7 Drawing Sheets

(56) **References Cited**

U.S. PATENT DOCUMENTS

- D327,583 S 7/1992 Dettinger
- D329,543 S 9/1992 Shields
- D335,779 S * 5/1993 Newhouse D6/334
- D337,450 S 7/1993 Dettinger
- D379,269 S 5/1997 Hutton
- D412,408 S 8/1999 Navone
- D416,717 S * 11/1999 Chalmers D6/370
- D417,104 S * 11/1999 Chalmers D6/370



US D764,215 S

Page 2

(56)

References Cited

U.S. PATENT DOCUMENTS

| | | | | | | | |
|--------------|---------|---------------|--------|--------------|---------|----------------|--------|
| D569,111 S | 5/2008 | Swanson | | D643,224 S | 8/2011 | Sofield | |
| D580,664 S | 11/2008 | Cramer et al. | | D657,966 S | 4/2012 | Foersom et al. | |
| D581,690 S * | 12/2008 | Sempe | D6/381 | D658,395 S | 5/2012 | Foersom et al. | |
| D596,414 S | 7/2009 | Natuzzi | | D668,462 S | 10/2012 | Sofield | |
| D603,613 S | 11/2009 | Wilson | | D672,572 S | 12/2012 | Carmon | |
| | | | | D677,486 S | 3/2013 | Cramer et al. | |
| | | | | D722,441 S * | 2/2015 | Kirar | D6/334 |
| | | | | D724,854 S * | 3/2015 | Lee | D6/334 |

* cited by examiner

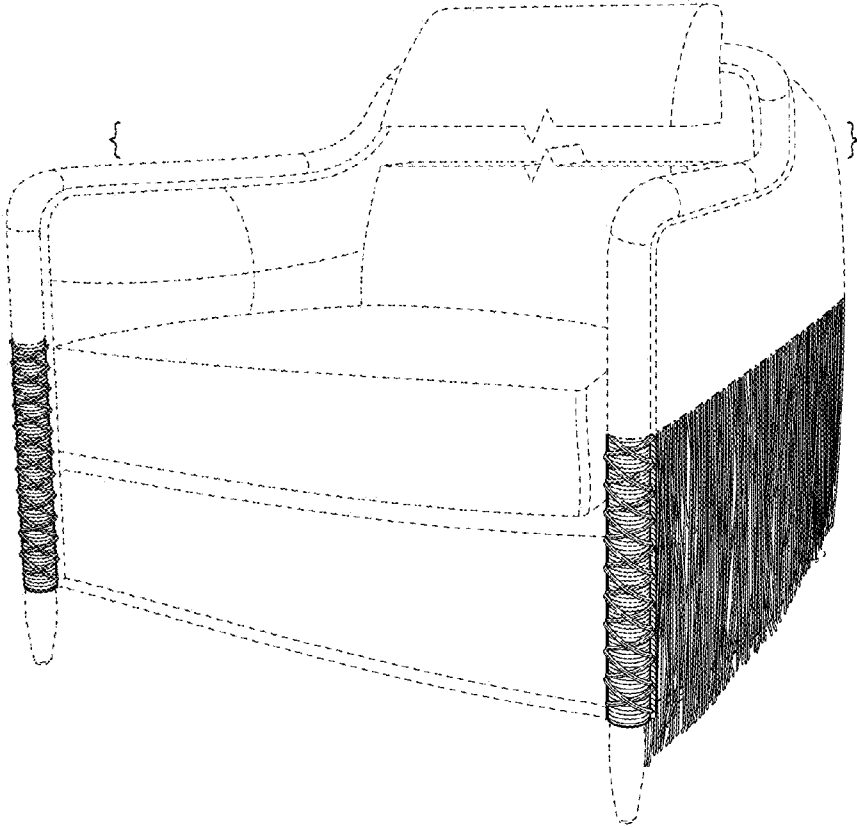


FIG. 1

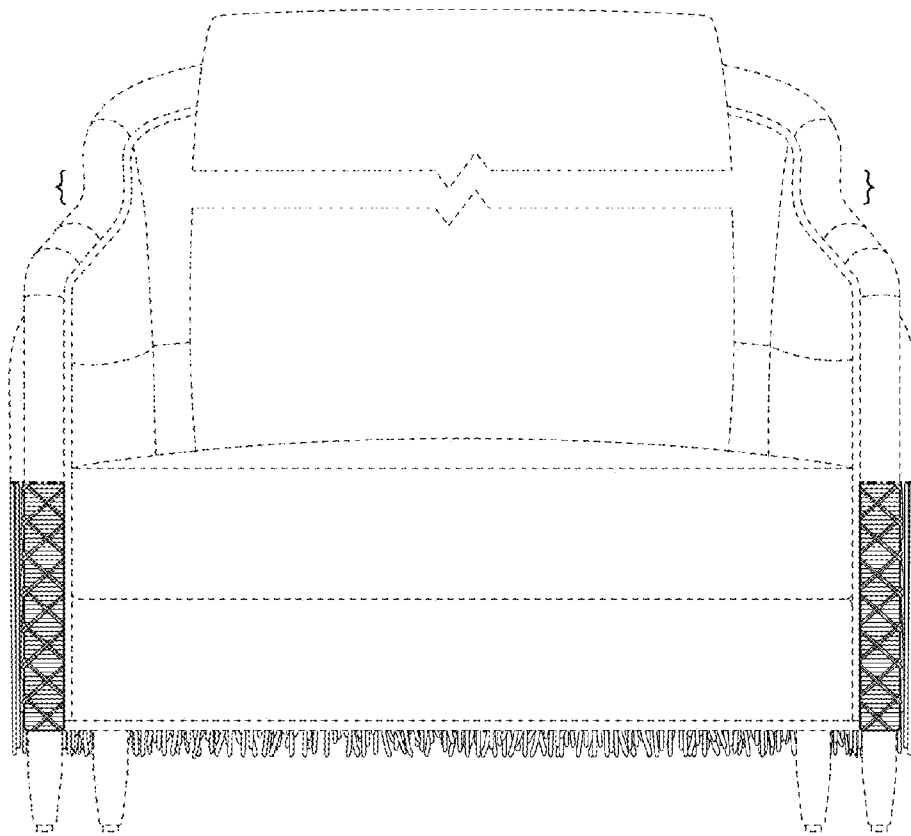


FIG. 2

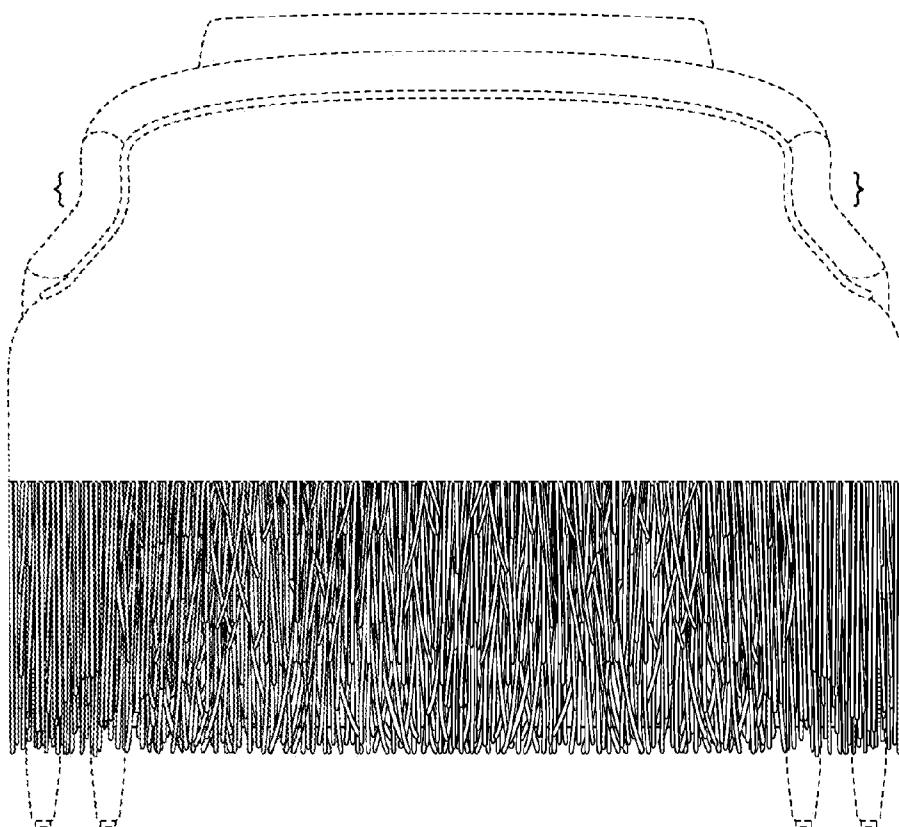


FIG. 3

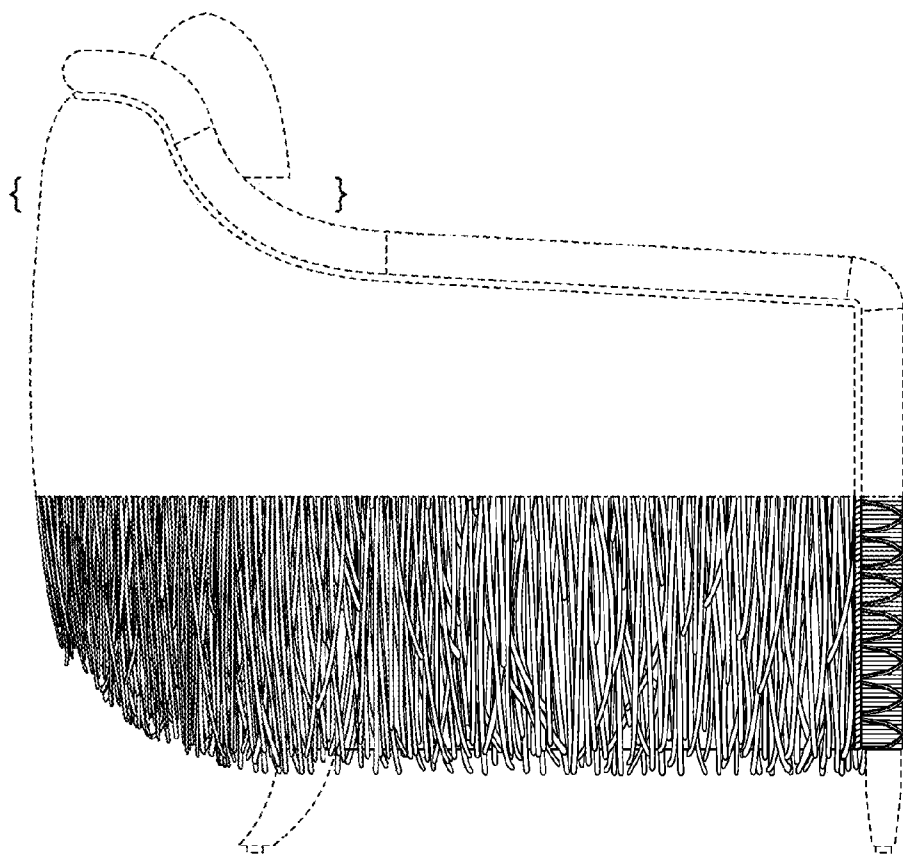


FIG. 4

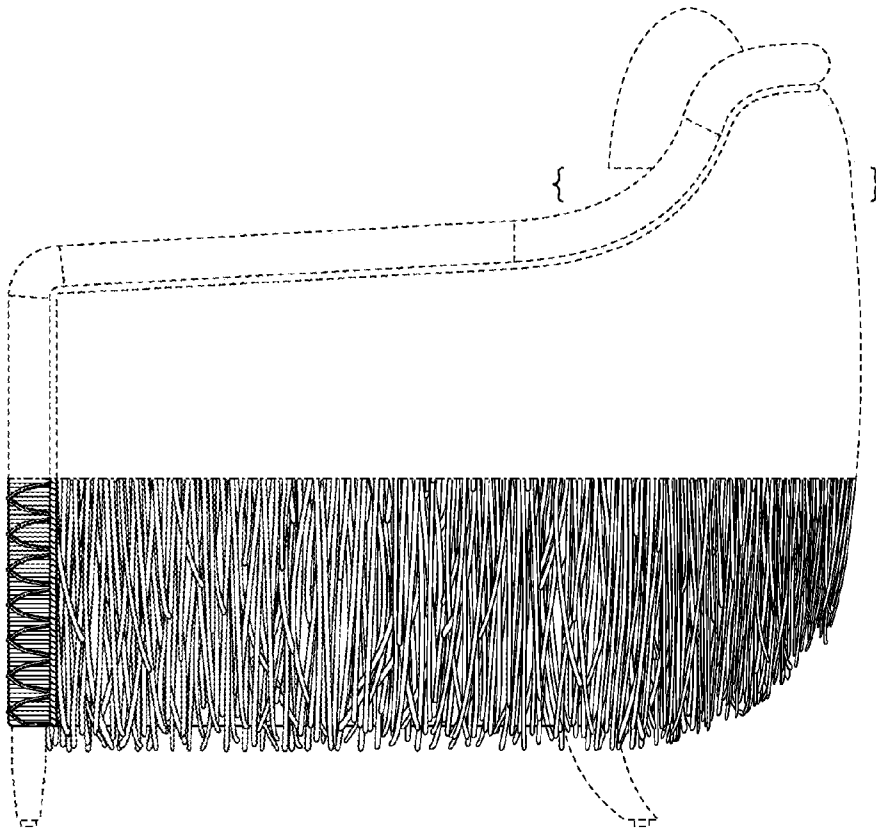


FIG. 5

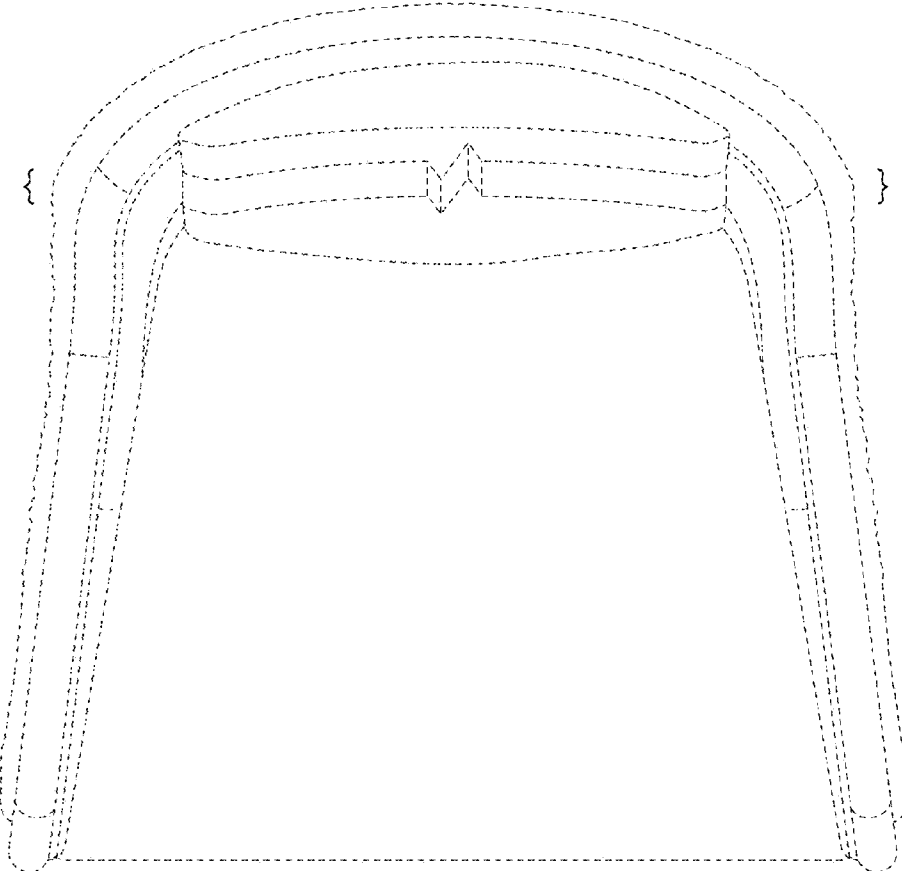


FIG. 6

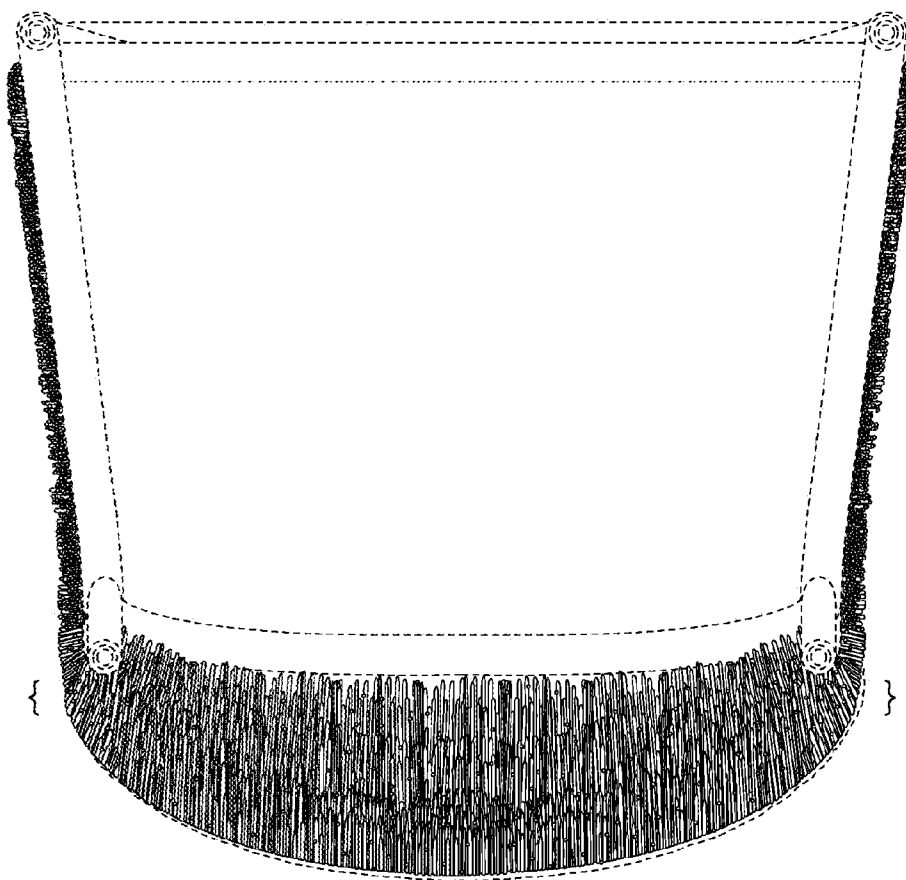


FIG. 7