



(43) International Publication Date  
13 September 2012 (13.09.2012)

(51) International Patent Classification:

A23N 15/06 (2006.01) B26D 3/24 (2006.01)  
B26D 1/06 (2006.01) B26D 3/26 (2006.01)  
B26D 1/09 (2006.01) B26D 7/06 (2006.01)

(21) International Application Number:

PCT/IL2012/000096

(22) International Filing Date:

4 March 2012 (04.03.2012)

(25) Filing Language:

English

(26) Publication Language:

English

(30) Priority Data:

61/449,455 4 March 2011 (04.03.2011) US

(72) Inventor; and

(71) Applicant : NISSANI, Yniv [IL/IL]; 16 Jerusalem street,  
44446 Kfar Saba (IL).

(74) Agent: GAVRIELI, Jonah; At Patentick - IP Portfolio  
Management, P.O.Box 151, 37807 Beit Hananya (IL).

(81) Designated States (unless otherwise indicated, for every  
kind of national protection available): AE, AG, AL, AM,  
AO, AT, AU, AZ, BA, BB, BG, BH, BR, BW, BY, BZ,

CA, CH, CL, CN, CO, CR, CU, CZ, DE, DK, DM, DO,  
DZ, EC, EE, EG, ES, FI, GB, GD, GE, GH, GM, GT, HN,  
HR, HU, ID, IL, IN, IS, JP, KE, KG, KM, KN, KP, KR,  
KZ, LA, LC, LK, LR, LS, LT, LU, LY, MA, MD, ME,  
MG, MK, MN, MW, MX, MY, MZ, NA, NG, NI, NO, NZ,  
OM, PE, PG, PH, PL, PT, QA, RO, RS, RU, RW, SC, SD,  
SE, SG, SK, SL, SM, ST, SV, SY, TH, TJ, TM, TN, TR,  
TT, TZ, UA, UG, US, UZ, VC, VN, ZA, ZM, ZW.

(84) Designated States (unless otherwise indicated, for every  
kind of regional protection available): ARIPO (BW, GH,  
GM, KE, LR, LS, MW, MZ, NA, RW, SD, SL, SZ, TZ,  
UG, ZM, ZW), Eurasian (AM, AZ, BY, KG, KZ, MD, RU,  
TJ, TM), European (AL, AT, BE, BG, CH, CY, CZ, DE,  
DK, EE, ES, FI, FR, GB, GR, HR, HU, IE, IS, IT, LT, LU,  
LV, MC, MK, MT, NL, NO, PL, PT, RO, RS, SE, SI, SK,  
SM, TR), OAPI (BF, BJ, CF, CG, CI, CM, GA, GN, GQ,  
GW, ML, MR, NE, SN, TD, TG).

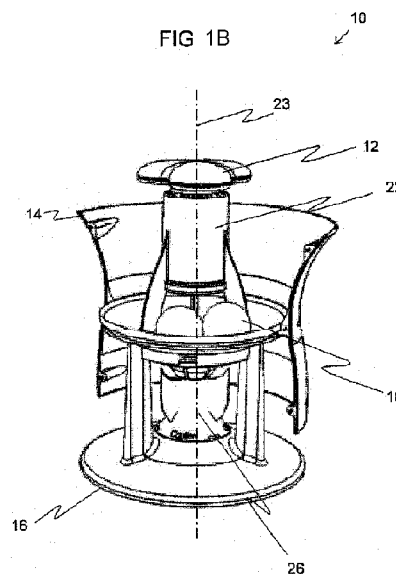
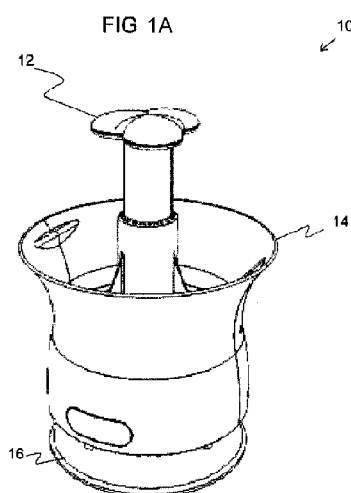
Published:

— with international search report (Art. 21(3))

(88) Date of publication of the international search report:

3 January 2013

(54) Title: CHERRY TOMATO CUTTING APPARATUS AND METHOD



(57) Abstract: A cherry tomato cutting apparatus for cutting at least one cherry tomato, the apparatus having a longitudinal axis comprising: a tomato feeder adapted to receive the at least one cherry tomato and to gravitationally guide the cherry tomato towards the longitudinal axis; an operating lever mechanically connected to an assembly housing, the assembly housing adapted to move substantially along the longitudinal axis and to receive the cherry tomato at a tomato support configurable coaxially and mechanically connected to the assembly housing; a blade assembly positionable beneath the tomato support and adapted to cut the cherry tomato into at least two pieces; wherein the cut cherry tomato is collected in a base of the cherry tomato cutting apparatus.



WO 2012/120493 A3

**INTERNATIONAL SEARCH REPORT**

International application No.

PCT/IL12/00096

**A. CLASSIFICATION OF SUBJECT MATTER**  
 IPC(8) - A23N 15/06; B26D 1/06, 1/09, 3/24, 3/26, 7/06 (2012.01)  
 USPC - 30/114, 302; 83/857, 932; 99/537, 485  
 According to International Patent Classification (IPC) or to both national classification and IPC

**B. FIELDS SEARCHED**  
 Minimum documentation searched (classification system followed by classification symbols)  
 IPC(8): A21C 5/08, 15/04; A21C 15/04; A23N 15/02, 15/04, 15/06; A47J 17/14; B26D 1/06, 1/09, 3/24, 3/26, 7/06 (2012.01)  
 USPC: 30/114, 302; 83/12, 23, 27, 78, 102, 104, 111, 112, 167, 407, 431, 435.19, 438, 441.1, 857, 932; 99/537, 485

Documentation searched other than minimum documentation to the extent that such documents are included in the fields searched

Electronic data base consulted during the international search (name of data base and, where practicable, search terms used)  
 MicroPatent (US-Granted, US-Applications, EP-A, EP-B, WO, JP, DE-G, DE-A, DE-T, DE-U, GB-A, FR-A); IP.com; Google.com;  
 Google.com/Scholar; gravity; vertical; fed; feed; guide\*; tomato\*; lemon\*; fruit\*; vegetable\*; round\*; slice\*; cut\*; wedge\*; segment\*;  
 section\*; ramp\*; chute\*; hopper\*; chute\*; ramp\*

**C. DOCUMENTS CONSIDERED TO BE RELEVANT**

Category*	Citation of document, with indication, where appropriate, of the relevant passages	Relevant to claim No.
Y	US 3830151 A (GERSON, SL) August 20, 1974; abstract; figures 1, 3, 6, 7, 8; column 2, lines 20-55; column 2, lines 65-67; column 3, lines 30-45; column 3, lines 4-9; column 3, lines 40-45; column 3, lines 55-60	1-10
Y	US 886906 A (WEINHARDT, AG) May 5, 1908; figure 1; page 2, lines 10-22	1-10
Y	WO 2005/027667 A2 (SANDBERG, G et al.) March 31, 2005; figure 1A; page 2, lines 4-6	8
Y	US 5146681 A (HAGHKAR, C) September 15, 1992; figure 8; column 5, lines 25-35	6, 7

Further documents are listed in the continuation of Box C.

\* Special categories of cited documents:  
 "A" document defining the general state of the art which is not considered to be of particular relevance  
 "E" earlier application or patent but published on or after the international filing date  
 "L" document which may throw doubts on priority claim(s) or which is cited to establish the publication date of another citation or other special reason (as specified)  
 "O" document referring to an oral disclosure, use, exhibition or other means  
 "P" document published prior to the international filing date but later than the priority date claimed  
 "T" later document published after the international filing date or priority date and not in conflict with the application but cited to understand the principle or theory underlying the invention  
 "X" document of particular relevance; the claimed invention cannot be considered novel or cannot be considered to involve an inventive step when the document is taken alone  
 "Y" document of particular relevance; the claimed invention cannot be considered to involve an inventive step when the document is combined with one or more other such documents, such combination being obvious to a person skilled in the art  
 "&" document member of the same patent family

Date of the actual completion of the international search 29 August 2012 (29.08.2012)	Date of mailing of the international search report <b>26 SEP 2012</b>
--	--

Name and mailing address of the ISA/US Mail Stop PCT, Attn: ISA/US, Commissioner for Patents P.O. Box 1450, Alexandria, Virginia 22313-1450 Facsimile No. 571-273-3201	Authorized officer: Shane Thomas PCT Helpdesk: 571-272-4300 PCT OSP: 571-272-7774
---	--