



US00D665482S

(12) **United States Design Patent**
Ratia

(10) **Patent No.:** **US D665,482 S**

(45) **Date of Patent:** **** Aug. 14, 2012**

(54) **STOVE FOR A SAUNA**

(76) Inventor: **Ristomatti Ratia**, Helsinki (FI)

(**) Term: **14 Years**

(21) Appl. No.: **29/408,340**

(22) Filed: **Dec. 10, 2011**

(51) **LOC (9) Cl.** **23-03**

(52) **U.S. Cl.** **D23/315**

(58) **Field of Classification Search** D23/314,
D23/315; D13/184; 392/379, 360, 370,
392/374

See application file for complete search history.

(56) **References Cited**

U.S. PATENT DOCUMENTS

1,797,519	A *	3/1931	Brown et al.	219/473
1,827,788	A *	10/1931	Hicks	392/355
D202,533	S *	10/1965	Scott et al.	D23/315

D204,350	S *	4/1966	Nord et al.	D23/315
3,400,248	A *	9/1968	Isomaa	392/373
4,121,570	A *	10/1978	Schneider et al.	126/374.1

* cited by examiner

Primary Examiner — T. Chase Nelson

Assistant Examiner — Ania Aman

(57) **CLAIM**

I claim the ornamental design for a stove for a sauna, as shown and described.

DESCRIPTION

FIG. 1 is a front view of a stove for a sauna of the present invention;

FIG. 2 is a backside view of the stove of FIG. 1;

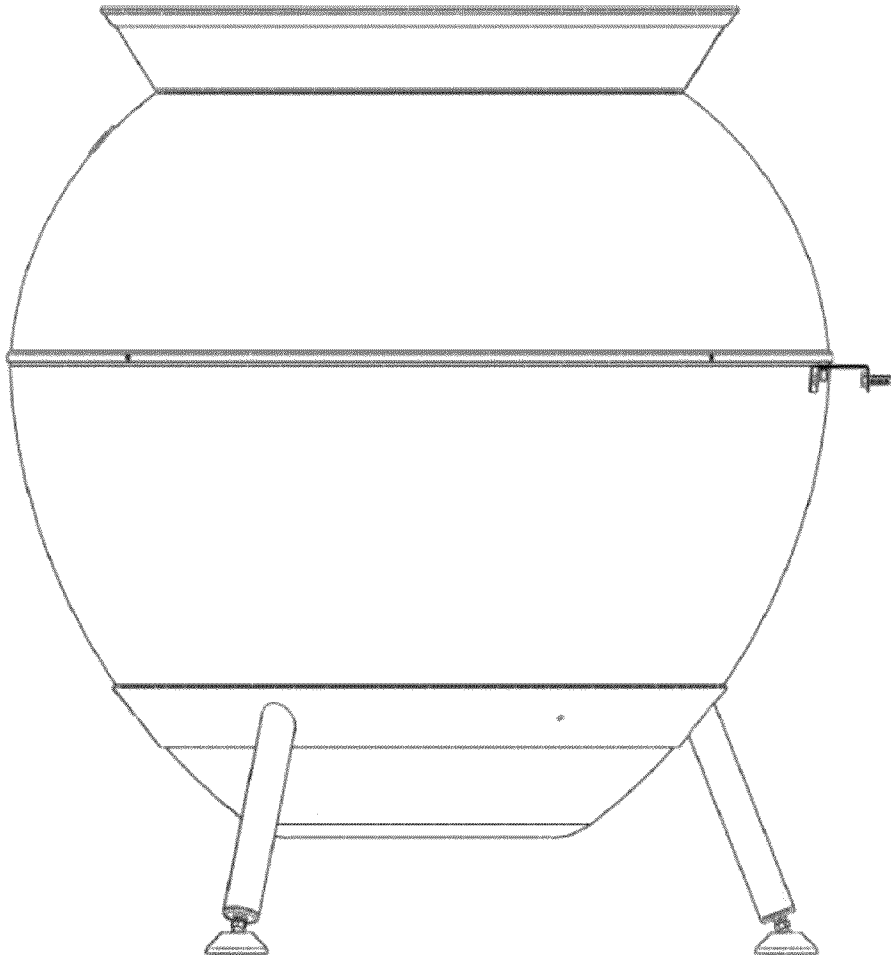
FIG. 3 is a bottom view of the stove of FIG. 1;

FIG. 4 is a top view of the stove of FIG. 1;

FIG. 5 is a perspective view of the stove of FIG. 1; and,

FIG. 6 is a side view of the stove of FIG. 1.

1 Claim, 6 Drawing Sheets



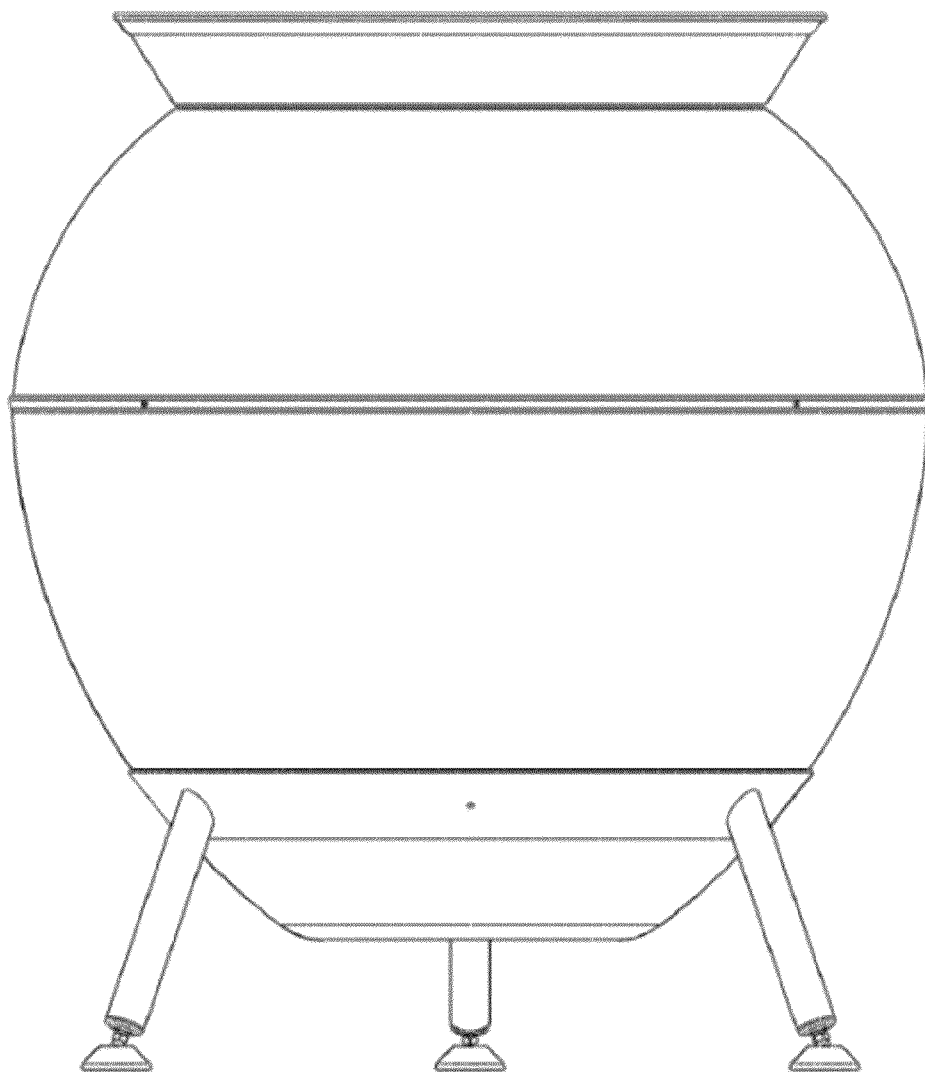


FIGURE 1

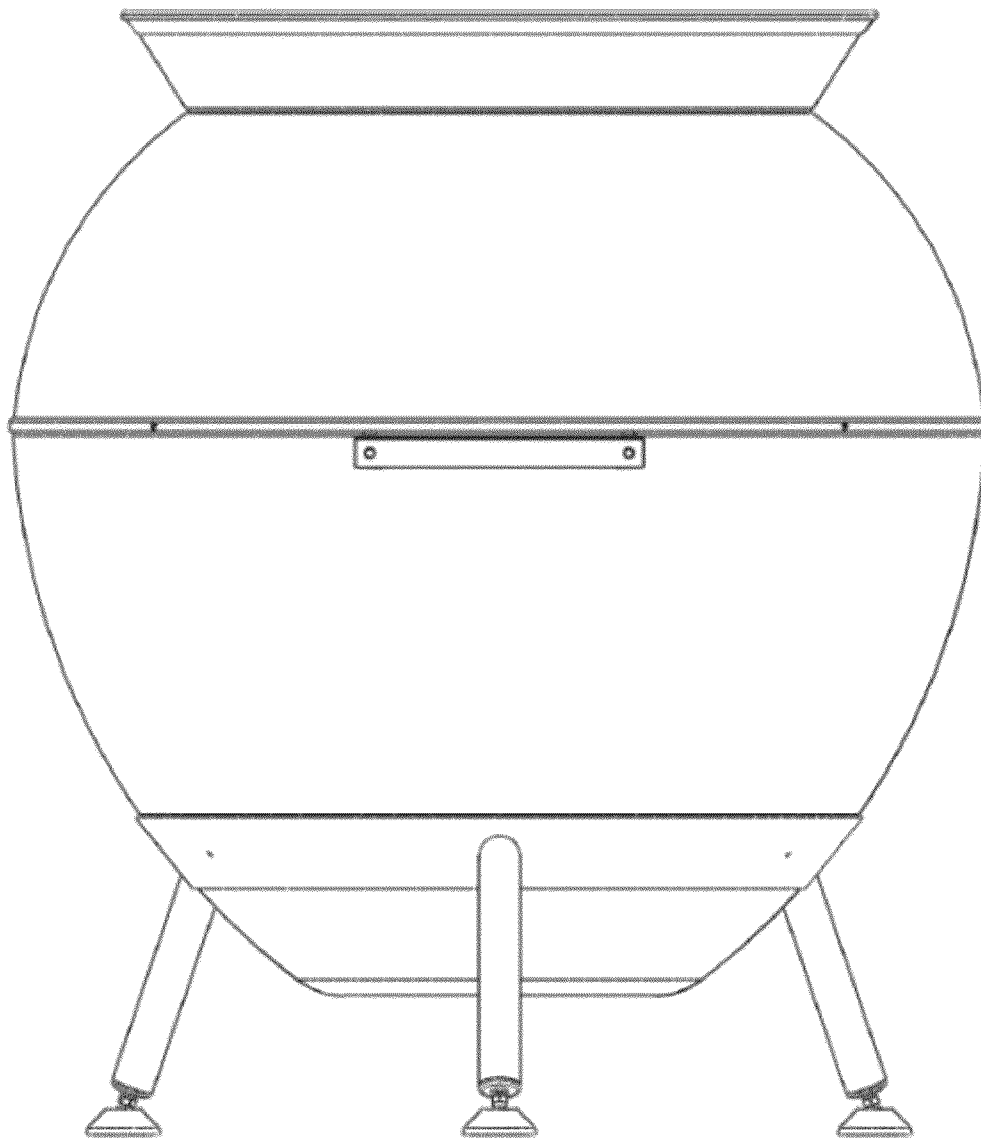


FIGURE 2

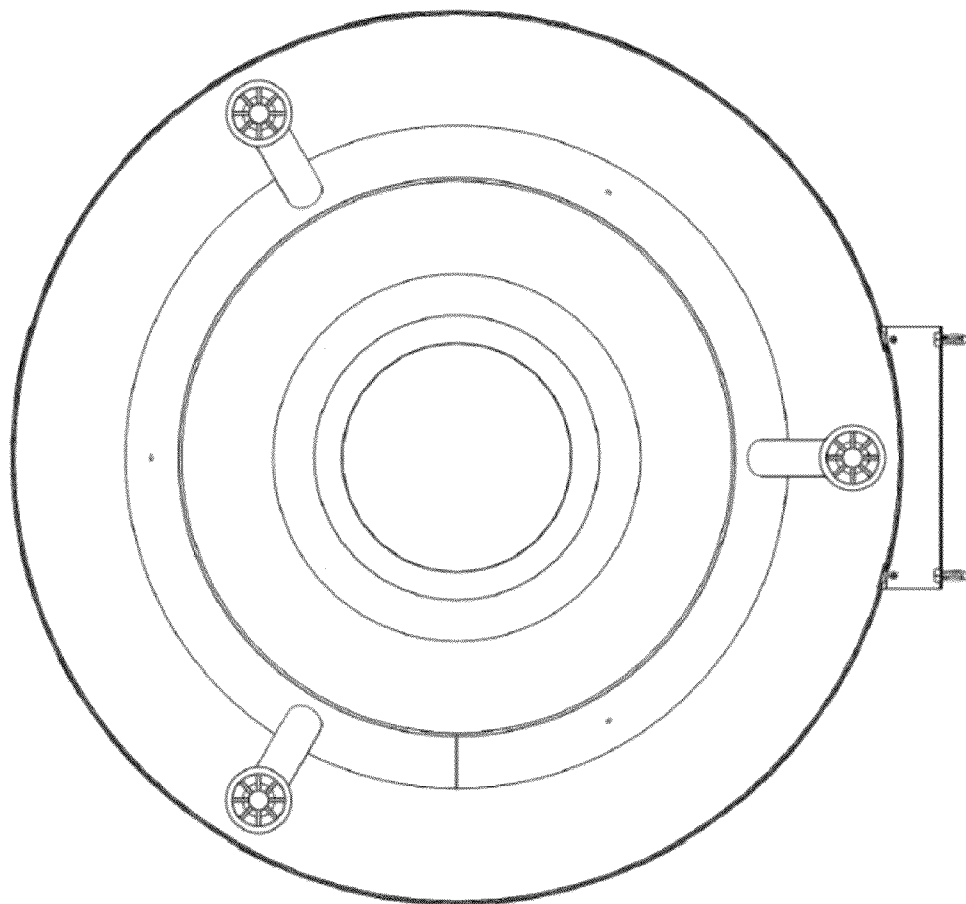


FIGURE 3

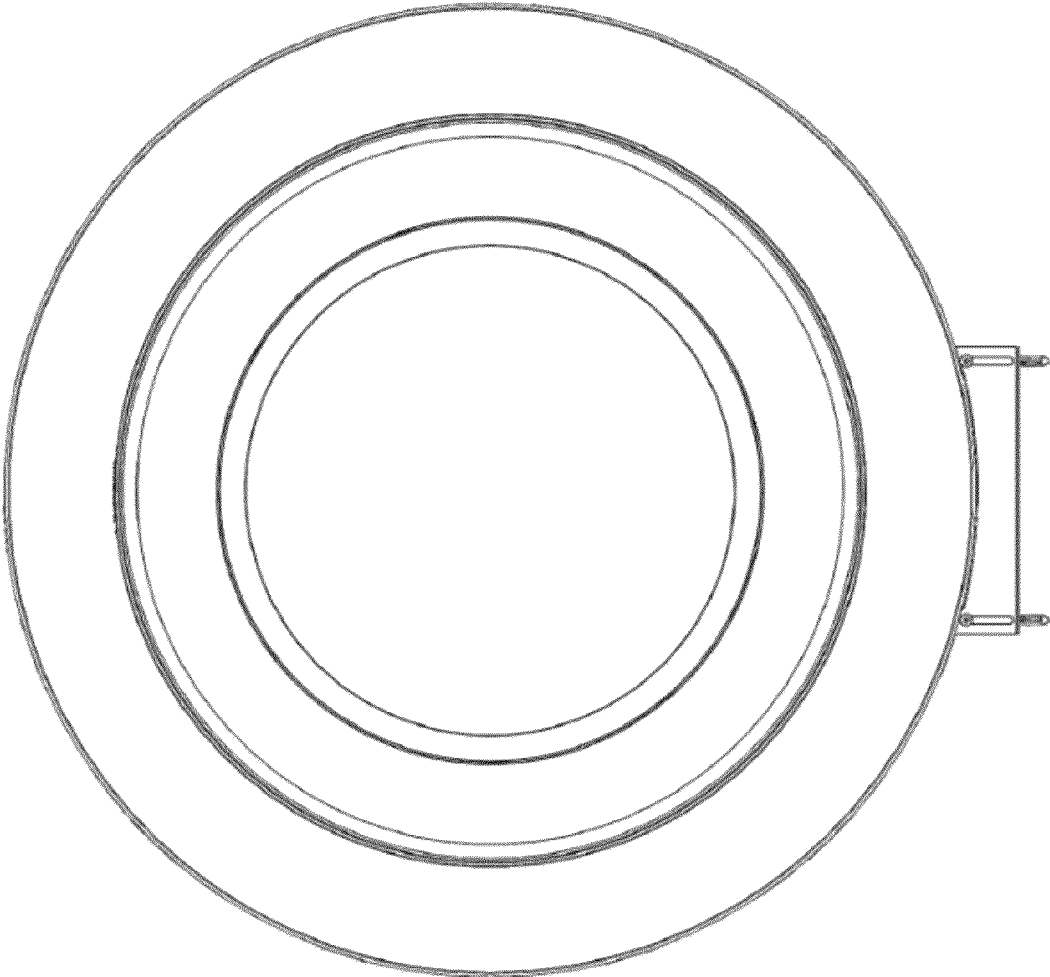


FIGURE 4

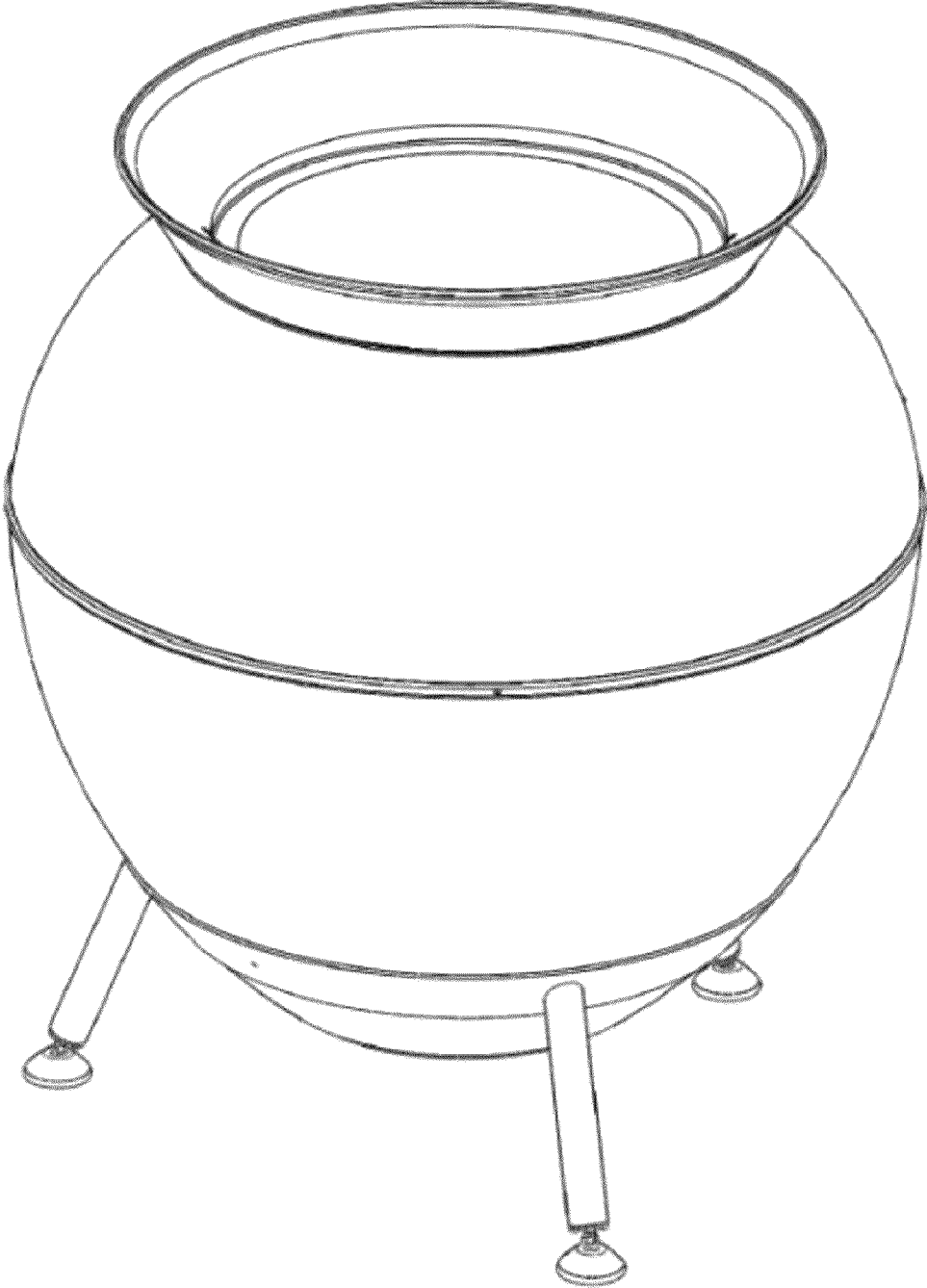


FIGURE 5

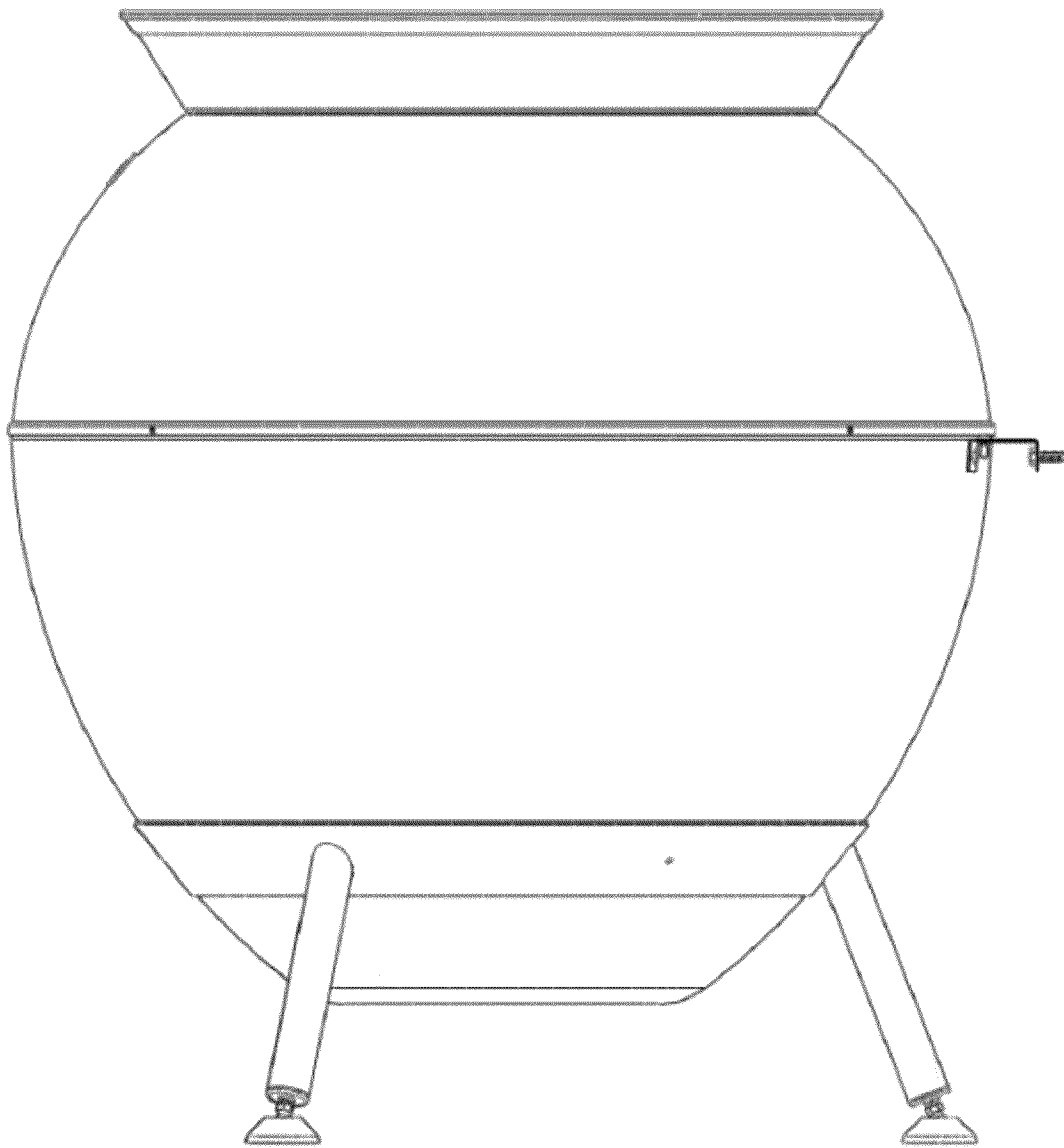


FIGURE 6