



US0D1034591S

(12) **United States Design Patent**  
**Conrad**

(10) **Patent No.:** **US D1,034,591 S**

(45) **Date of Patent:** **\*\* Jul. 9, 2024**

(54) **INPUT DEVICE FOR ELECTRONIC AND  
COMPUTER EQUIPMENT**

FOREIGN PATENT DOCUMENTS

EM 008162119-0001 \* 9/2020  
EM 008445993-0001 \* 3/2021

(Continued)

(71) Applicant: **Endor AG**, Landshut (DE)

(72) Inventor: **Bernhard Conrad**, Buch am Erlbach (DE)

(73) Assignee: **Endor AG**, Landshut (DE)

(\*\*) Term: **15 Years**

(21) Appl. No.: **35/512,731**

(22) Filed: **Aug. 30, 2021**

(80) **Hague Agreement Data**

Int. Filing Date: **Aug. 30, 2021**  
Int. Reg. No.: **DM/216721**  
Int. Reg. Date: **Aug. 30, 2021**  
Int. Reg. Pub. Date: **Oct. 15, 2021**

(30) **Foreign Application Priority Data**

Mar. 1, 2021 (EM) ..... 008445993-0001

(51) **LOC (14) Cl.** ..... **14-02**

(52) **U.S. Cl.**  
USPC ..... **D14/356**

(58) **Field of Classification Search**  
USPC ... D14/125-129, 138 AA, 138 AB, 138 AC,  
D14/138 AD, 138 C, 138 G, 155-159,  
(Continued)

(56) **References Cited**

U.S. PATENT DOCUMENTS

D324,213 S \* 2/1992 Otsuki ..... D14/129  
D341,136 S \* 11/1993 Shimizu ..... D16/221

(Continued)

OTHER PUBLICATIONS

CSL DD (8 NM), date not available, [retrieved Sep. 25, 2022], Retrieved from Internet, URL: <<https://fanatec.com/us-en/racing-wheels-wheel-bases/racing-wheels/csl-dd-8-nm>> (Year: 2022).\*

(Continued)

*Primary Examiner* — Messina L Smith

*Assistant Examiner* — Aram Kwon

(74) *Attorney, Agent, or Firm* — The Culbertson Group, P.C.

(57) **CLAIM**

The ornamental design for an input device for electronic and computer equipment, as shown and described.

**DESCRIPTION**

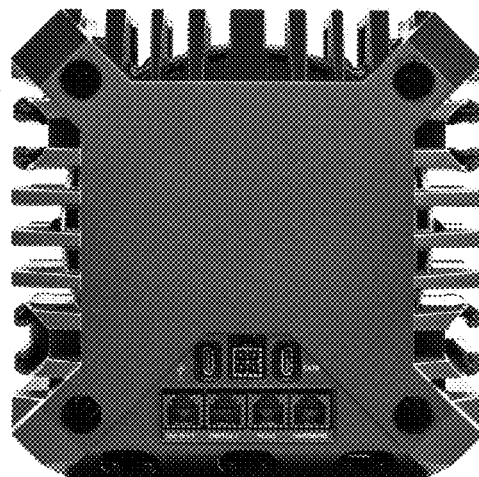
The patent or application file contains at least one drawing executed in color. Copies of this patent or patent application publication with color drawing(s) will be provided by the Office upon request and payment of the necessary fee.

1. Input device for electronic and computer equipment

- 1.1 : Bottom
- 1.2 : Top
- 1.3 : Left
- 1.4 : Right
- 1.5 : Perspective
- 1.6 : Front
- 1.7 : Back

The areas in the reproductions shown in the color yellow form no part of the claimed design.

**1 Claim, 7 Drawing Sheets**  
**(7 of 7 Drawing Sheet(s) Filed in Color)**



(58) **Field of Classification Search**

USPC ..... D14/160-173, 187-188, 189-198,  
                   D14/203.1-203.8, 204-216, 217-222,  
                   D14/239, 248, 257-258, 315-318,  
                   D14/341-347, 371, 374, 413, 432, 433,  
                   D14/439-441, 496, 498-506, 356-358,  
                   D14/439-441; D6/308, 310; D10/50, 65,  
                   D10/104.1; D18/6-7; D21/324,  
                   D21/329-330, 332  
 CPC ... H04M 1/0202; H04M 1/0266; H04M 1/725  
 See application file for complete search history.

(56) **References Cited**

U.S. PATENT DOCUMENTS

D480,717 S \* 10/2003 Imai ..... D14/248  
 D589,044 S \* 3/2009 Yoshida ..... D14/358  
 D624,548 S \* 9/2010 Yamamoto ..... D14/433  
 D743,815 S \* 11/2015 Janu ..... D10/49  
 D929,358 S \* 8/2021 Peled ..... D10/53

FOREIGN PATENT DOCUMENTS

GB 9008162119-0001 \* 9/2020  
 JP D1712986 \* 4/2022  
 WO WOD216721-001 \* 10/2021

OTHER PUBLICATIONS

Fanatec's CSL DD is a low-cost direct drive wheel base, Apr. 29, 2021, [retrieved Sep. 27, 2022], Retrieved from Internet, URL: <<https://www.autosport.com/esports/news/fanatecs-csl-dd-is-a-low-cost-direct-drive-wheel-base/6498570/>> (Year: 2021).\*

Gaming Review: Fanatec CSL DD wheelbase, Aug. 16, 2021, [retrieved Sep. 27, 2022], Retrieved from Internet, URL: <<https://www.topgear.com/car-news/gaming/gaming-review-fanatec-csl-dd-wheelbase>> (Year: 2021).\*

Hands On with the Fanatec CSL DD, Jun. 4, 2021, [retrieved Sep. 27, 2022], Retrieved from Internet, URL: <<https://www.youtube.com/watch?v=mI69TLbCExU>> (Year: 2021).\*

The Fanatec CSL DD, Apr. 25, 2021, [retrieved Sep. 27, 2022], Retrieved from Internet, URL: <<https://www.youtube.com/watch?v=nWE6xBNIy3M>> (Year: 2021).\*

\* cited by examiner

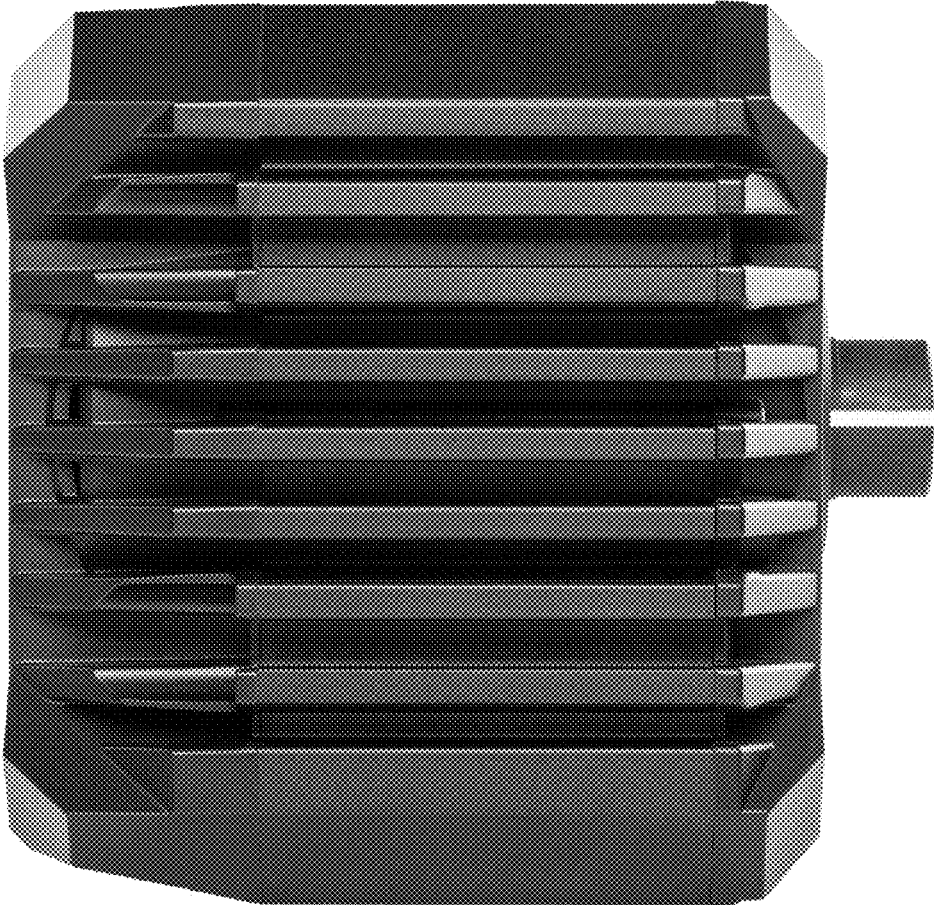
1.1



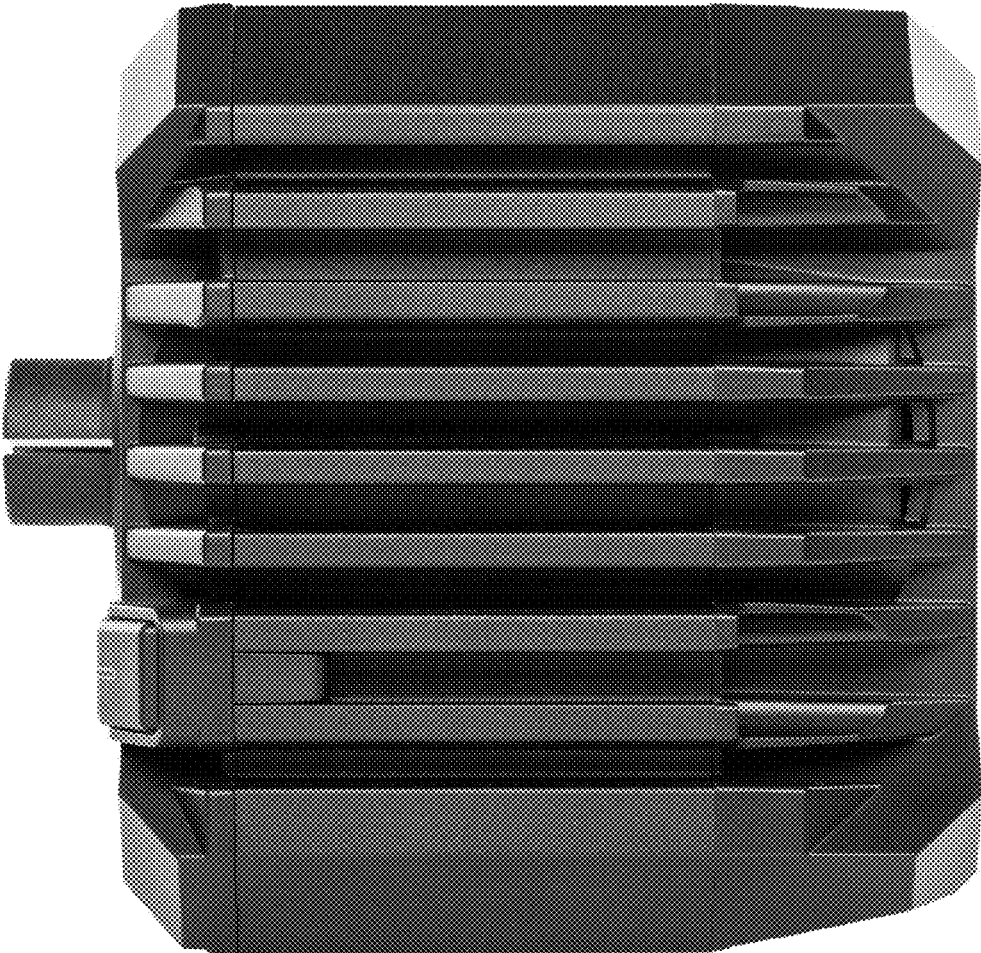
1.2



1.3



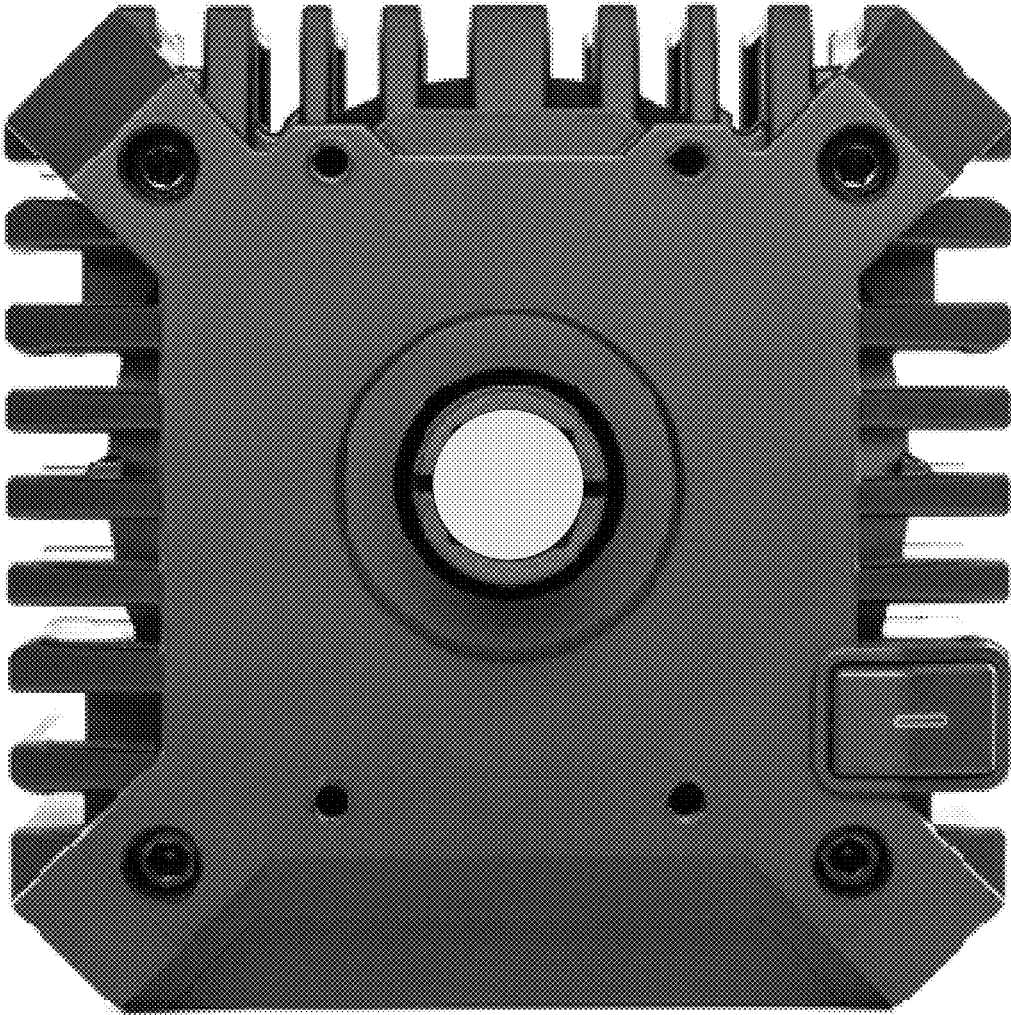
1.4



1.5



1.6



1.7

