

(19) World Intellectual Property
Organization
International Bureau



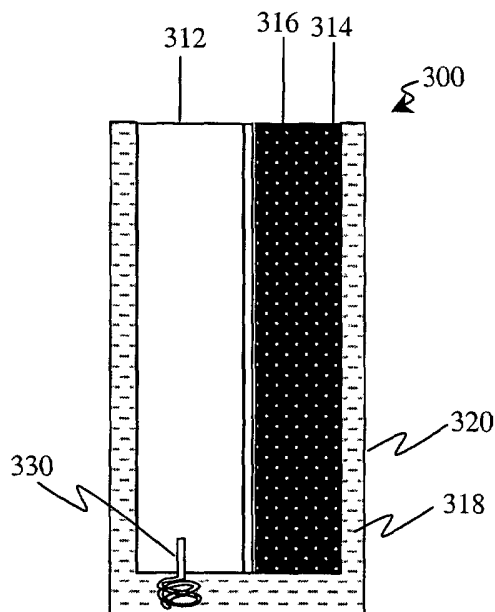
(43) International Publication Date
25 July 2002 (25.07.2002)

PCT

(10) International Publication Number
WO 2002/058171 A3

- (51) International Patent Classification⁷: **H01M 2/38**, 10/28, 12/08
- (21) International Application Number: PCT/US2002/001865
- (22) International Filing Date: 22 January 2002 (22.01.2002)
- (25) Filing Language: English
- (26) Publication Language: English
- (30) Priority Data: 60/263,174 22 January 2001 (22.01.2001) US
- (71) Applicant (for all designated States except US): **EVIONYX, INC.** [US/US]; 85 Executive Boulevard, Elmsford, NY 10523 (US).
- (72) Inventor; and
- (75) Inventor/Applicant (for US only): **CHEN, Muguo** [US/US]; 37 Rome Avenue 5A, Bedford Hills, NY 10507 (US).
- (74) Agent: **CRISPINO, Ralph, J.**; Reveo, Inc., 85 Executive Boulevard, Elmsford, NY 10523 (US).
- (81) Designated States (national): AE, AG, AL, AM, AT, AU, AZ, BA, BB, BG, BR, BY, BZ, CA, CH, CN, CO, CR, CU, CZ, DE, DK, DM, DZ, EC, EE, ES, FI, GB, GD, GE, GH, GM, HR, HU, ID, IL, IN, IS, JP, KE, KG, KP, KR, KZ, LC, LK, LR, LS, LT, LU, LV, MA, MD, MG, MK, MN, MW, MX, MZ, NO, NZ, OM, PL, PT, RO, RU, SD, SE, SG, SI, SK, SL, TJ, TM, TN, TR, TT, TZ, UA, UG, US, UZ, VN, YU, ZA, ZM, ZW.
- (84) Designated States (regional): ARIPO patent (GH, GM, KE, LS, MW, MZ, SD, SL, SZ, TZ, UG, ZM, ZW), Eurasian patent (AM, AZ, BY, KG, KZ, MD, RU, TJ, TM), European patent (AT, BE, CH, CY, DE, DK, ES, FI, FR, GB, GR, IE, IT, LU, MC, NL, PT, SE, TR), OAPI patent (BF, BJ, CF, CG, CI, CM, GA, GN, GQ, GW, ML, MR, NE, SN, TD, TG).
- Published:**
— with international search report
— before the expiration of the time limit for amending the claims and to be republished in the event of receipt of amendments
- (88) Date of publication of the international search report: 10 March 2005
- For two-letter codes and other abbreviations, refer to the "Guidance Notes on Codes and Abbreviations" appearing at the beginning of each regular issue of the PCT Gazette.*

(54) Title: ELECTROLYTE BALANCE IN ELECTROCHEMICAL CELLS



(57) Abstract: A rechargeable metal air electrochemical cell is provided. The rechargeable metal air electrochemical cell generally includes an anode (312) and a cathode (314) in ionic communication via a separator (316) and in fluid communication via one or more tubes or apertures (330), wherein the one or more tubes or apertures (330) provide sufficient ionic resistance thereby preventing shorting between the electrodes while allowing liquid solvent to flow therebetween.

WO 2002/058171 A3

INTERNATIONAL SEARCH REPORT

International Application No
PCT/US 02/01865

A. CLASSIFICATION OF SUBJECT MATTER
IPC 7 H01M2/38 H01M10/28 H01M12/08

According to International Patent Classification (IPC) or to both national classification and IPC

B. FIELDS SEARCHED

Minimum documentation searched (classification system followed by classification symbols)
IPC 7 H01M

Documentation searched other than minimum documentation to the extent that such documents are included in the fields searched

Electronic data base consulted during the international search (name of data base and, where practical, search terms used)

EPO-Internal, WPI Data

C. DOCUMENTS CONSIDERED TO BE RELEVANT

Category *	Citation of document, with indication, where appropriate, of the relevant passages	Relevant to claim No.
A	US 4 463 066 A (ADLHART OTTO J ET AL) 31 July 1984 (1984-07-31) figures	1-5
A	US 3 264 139 A (FRANK SOLOMON ET AL) 2 August 1966 (1966-08-02) figure 4	1-5
A	DE 197 22 361 A (WELKE RAINER ; WITTKIEWITZ KARIN (DE)) 3 December 1998 (1998-12-03) abstract; figures	1-5
A	US 5 543 243 A (BRECHT WILLIAM B) 6 August 1996 (1996-08-06) figures 1-7	1-5
	-/--	

Further documents are listed in the continuation of box C.

Patent family members are listed in annex.

* Special categories of cited documents :

- *A* document defining the general state of the art which is not considered to be of particular relevance
- *E* earlier document but published on or after the international filing date
- *L* document which may throw doubts on priority claim(s) or which is cited to establish the publication date of another citation or other special reason (as specified)
- *O* document referring to an oral disclosure, use, exhibition or other means
- *P* document published prior to the international filing date but later than the priority date claimed

- *T* later document published after the international filing date or priority date and not in conflict with the application but cited to understand the principle or theory underlying the invention
- *X* document of particular relevance; the claimed invention cannot be considered novel or cannot be considered to involve an inventive step when the document is taken alone
- *Y* document of particular relevance; the claimed invention cannot be considered to involve an inventive step when the document is combined with one or more other such documents, such combination being obvious to a person skilled in the art.
- *&* document member of the same patent family

Date of the actual completion of the international search <p style="text-align: center;">16 December 2004</p>	Date of mailing of the international search report <p style="text-align: center;">11/01/2005</p>
Name and mailing address of the ISA European Patent Office, P.B. 5816 Patentlaan 2 NL - 2280 HV Rijswijk Tel. (+31-70) 340-2040, Tx. 31 651 epo nl, Fax: (+31-70) 340-3016	Authorized officer <p style="text-align: center;">Kanoldt, W</p>

INTERNATIONAL SEARCH REPORT

International Application No
PCT/US 02/01865

C.(Continuation) DOCUMENTS CONSIDERED TO BE RELEVANT		
Category *	Citation of document, with indication, where appropriate, of the relevant passages	Relevant to claim No.
A	US 5 376 471 A (HUNTER JOHN A ET AL) 27 December 1994 (1994-12-27) figures 1-5 -----	1-5
A	GB M15404A (SOKAL EDWARD) 26 June 1913 (1913-06-26) figure 2 -----	1-5
A	GB 1 472 516 A (LOCKHEED MISSILES SPACE) 4 May 1977 (1977-05-04) figures -----	1-5

INTERNATIONAL SEARCH REPORT

International Application No

PCT/US 02/01865

Information on patent family members

Patent document cited in search report	Publication date	Patent family member(s)	Publication date
US 4463066	A	31-07-1984	AT 36208 T 15-08-1988
			CA 1202069 A1 18-03-1986
			DE 3377604 D1 08-09-1988
			EP 0107396 A1 02-05-1984
			JP 59083357 A 14-05-1984
US 3264139	A	02-08-1966	AT 245071 B 10-02-1966
			DE 1203334 B 21-10-1965
			FR 1357520 A 03-04-1964
			GB 1039173 A 17-08-1966
DE 19722361	A	03-12-1998	DE 19758412 A1 03-12-1998
			DE 19722361 A1 03-12-1998
US 5543243	A	06-08-1996	WO 9515586 A1 08-06-1995
			AU 675326 B2 30-01-1997
			AU 6811894 A 19-06-1995
			CA 2177618 A1 08-06-1995
			EP 0737368 A1 16-10-1996
			JP 9505936 T 10-06-1997
US 5376471	A	27-12-1994	AU 648832 B2 05-05-1994
			AU 8611891 A 15-04-1992
			CA 2091680 A1 19-03-1992
			EP 0549664 A1 07-07-1993
			WO 9205598 A1 02-04-1992
			JP 6501128 T 27-01-1994
			NO 930987 A 18-03-1993
GB 191215404	A	26-06-1913	NONE
GB 1472516	A	04-05-1977	CA 1061856 A1 04-09-1979
			DE 2530022 A1 19-02-1976
			FR 2281652 A1 05-03-1976
			IT 1040459 B 20-12-1979
			JP 1247785 C 16-01-1985
			JP 51038033 A 30-03-1976
			JP 59024503 B 09-06-1984
			US 4035554 A 12-07-1977