



(51) International Patent Classification:

F21V 15/01 (2006.01) F21V 19/00 (2006.01)
F21V 29/00 (2006.01) F21Y 101/02 (2006.01)

(21) International Application Number:

PCT/IB2012/050732

(22) International Filing Date:

17 February 2012 (17.02.2012)

(25) Filing Language:

English

(26) Publication Language:

English

(30) Priority Data:

PCT/CN2011/071227
24 February 2011 (24.02.2011) CN

(71) Applicant (for all designated States except US):

KONINKLIJKE PHILIPS ELECTRONICS N.V.
[NL/NL]; Groenewoudseweg 1, 5621 BA Eindhoven (NL).

(72) Inventors; and

(75) Inventors/Applicants (for US only): VAN DEN BOSCH,

Marcus, Joannes [NL/CN]; c/o High Tech Campus Building 44, 5656 AE Eindhoven (NL). GIELEN, Vincent, Stefan, David [NL/NL]; c/o High Tech Campus Building 44, 5656 AE Eindhoven (NL). DUAN, Xiao Qing [CN/CN]; c/o High Tech Campus Building 44, 5656 AE Eindhoven (NL). BUKKEMS, Peter, Johannes, Martinus [NL/NL]; c/o High Tech Campus Building 44, 5656 AE Eindhoven (NL). BALKENENDE, Abraham, Rudolf

[NL/NL]; c/o High Tech Campus Building 44, 5656 AE Eindhoven (NL). WANG, Bao [CN/CN]; c/o High Tech Campus Building 44, 5656 AE Eindhoven (NL).

(74) Agents: VAN EEUWIJK, Alexander et al.; c/o High Tech Campus Building 44, 5656 AE Eindhoven (NL).

(81) Designated States (unless otherwise indicated, for every kind of national protection available):

AE, AG, AL, AM, AO, AT, AU, AZ, BA, BB, BG, BH, BR, BW, BY, BZ, CA, CH, CL, CN, CO, CR, CU, CZ, DE, DK, DM, DO, DZ, EC, EE, EG, ES, FI, GB, GD, GE, GH, GM, GT, HN, HR, HU, ID, IL, IN, IS, JP, KE, KG, KM, KN, KP, KR, KZ, LA, LC, LK, LR, LS, LT, LU, LY, MA, MD, ME, MG, MK, MN, MW, MX, MY, MZ, NA, NG, NI, NO, NZ, OM, PE, PG, PH, PL, PT, QA, RO, RS, RU, RW, SC, SD, SE, SG, SK, SL, SM, ST, SV, SY, TH, TJ, TM, TN, TR, TT, TZ, UA, UG, US, UZ, VC, VN, ZA, ZM, ZW.

(84) Designated States (unless otherwise indicated, for every kind of regional protection available):

ARIPO (BW, GH, GM, KE, LR, LS, MW, MZ, NA, RW, SD, SL, SZ, TZ, UG, ZM, ZW), Eurasian (AM, AZ, BY, KG, KZ, MD, RU, TJ, TM), European (AL, AT, BE, BG, CH, CY, CZ, DE, DK, EE, ES, FI, FR, GB, GR, HR, HU, IE, IS, IT, LT, LU, LV, MC, MK, MT, NL, NO, PL, PT, RO, RS, SE, SI, SK, SM, TR), OAPI (BF, BJ, CF, CG, CI, CM, GA, GN, GQ, GW, ML, MR, NE, SN, TD, TG).

[Continued on next page]

(54) Title: LAMP ASSEMBLY

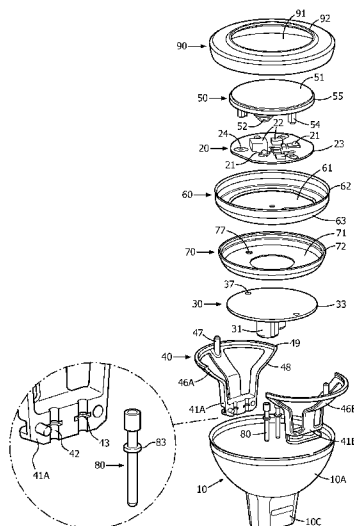


FIG. 2B

(57) Abstract: A lamp assembly (1) comprises: a housing (10); a lighting unit (20) arranged within the housing, the lighting unit comprising a lighting carrier, a light-generating element (21) and driving electronics (22; 31) for the light-generating element mounted on the lighting carrier; a transparent window covering the lighting unit; electrical contact terminals (80) for electrically coupling the assembly to a lamp socket. The light-generating element and/or driving electronics produce heat, and the housing has a heat-sink functionality, and heat-guiding means are provided for coupling the lighting carrier for heat transfer to the housing. The housing comprises at least two separate housing parts made of metal or a metal alloy. The lighting unit and the transparent window are not fixed with respect to each other, and are mechanically confined and held in place by the two housing parts. The housing parts are attached to each other mechanically by at least one form-fit joint.

WO 2012/114241 A3



Declarations under Rule 4.17:

— *as to applicant's entitlement to apply for and be granted a patent (Rule 4.17(ii))*

— *before the expiration of the time limit for amending the claims and to be republished in the event of receipt of amendments (Rule 48.2(h))*

Published:

— *with international search report (Art. 21(3))*

(88) Date of publication of the international search report:

22 November 2012

INTERNATIONAL SEARCH REPORT

International application No
PCT/IB2012/050732

A. CLASSIFICATION OF SUBJECT MATTER

INV. F21V15/01 F21V29/00 F21V19/00
ADD. F21Y101/02

According to International Patent Classification (IPC) or to both national classification and IPC

B. FIELDS SEARCHED

Minimum documentation searched (classification system followed by classification symbols)
F21V

Documentation searched other than minimum documentation to the extent that such documents are included in the fields searched

Electronic data base consulted during the international search (name of data base and, where practicable, search terms used)

EPO-Internal, WPI Data

C. DOCUMENTS CONSIDERED TO BE RELEVANT

Category*	Citation of document, with indication, where appropriate, of the relevant passages	Relevant to claim No.
X	US 2008/037255 A1 (WANG PEI-CHOA [TW]) 14 February 2008 (2008-02-14) paragraph [0019]; figures 1-3 -----	1-20
X	EP 2 083 214 A1 (NENG TYI PREC IND CO LTD [TW]) 29 July 2009 (2009-07-29) paragraph [0030]; claim 1; figures 1-4 -----	1-14
A	EP 2 180 233 A1 (OSRAM GMBH [DE]; OSRAM SPA [IT]) 28 April 2010 (2010-04-28) abstract; figure 1 -----	1-14

 Further documents are listed in the continuation of Box C. See patent family annex.

* Special categories of cited documents :

"A" document defining the general state of the art which is not considered to be of particular relevance

"E" earlier application or patent but published on or after the international filing date

"L" document which may throw doubts on priority claim(s) or which is cited to establish the publication date of another citation or other special reason (as specified)

"O" document referring to an oral disclosure, use, exhibition or other means

"P" document published prior to the international filing date but later than the priority date claimed

"T" later document published after the international filing date or priority date and not in conflict with the application but cited to understand the principle or theory underlying the invention

"X" document of particular relevance; the claimed invention cannot be considered novel or cannot be considered to involve an inventive step when the document is taken alone

"Y" document of particular relevance; the claimed invention cannot be considered to involve an inventive step when the document is combined with one or more other such documents, such combination being obvious to a person skilled in the art

"&" document member of the same patent family

Date of the actual completion of the international search

26 September 2012

Date of mailing of the international search report

04/10/2012

Name and mailing address of the ISA/

European Patent Office, P.B. 5818 Patentlaan 2
NL - 2280 HV Rijswijk
Tel. (+31-70) 340-2040,
Fax: (+31-70) 340-3016

Authorized officer

Hulne, Serge

INTERNATIONAL SEARCH REPORT

Information on patent family members

International application No PCT/IB2012/050732

Patent document cited in search report		Publication date	Patent family member(s)	Publication date
US 2008037255	A1	14-02-2008	NONE	
EP 2083214	A1	29-07-2009	AT 510171 T	15-06-2011
			EP 2083214 A1	29-07-2009
			JP 3143732 U	31-07-2008
			TW M336390 U	11-07-2008
			US 2009189169 A1	30-07-2009
EP 2180233	A1	28-04-2010	NONE	