

# United States Patent [19]

Molnar et al.

[11] Patent Number: **Des. 284,635**

[45] Date of Patent: **\*\* Jul. 15, 1986**

[54] **HAND ACTUATED VEHICLE RADIATOR CAP REMOVER**

[76] Inventors: **Frank D. Molnar**, P.O. Box 884, Georgetown, Calif. 95634; **Claude Elliott, Jr.**, 331 Berthoud St., Sacramento, Calif. 95838

[\*\*] Term: **14 Years**

[21] Appl. No.: **578,740**

[22] Filed: **Feb. 9, 1984**

[52] U.S. Cl. .... **D8/14; D8/43; D12/155**

[58] Field of Search ..... **D12/155; D8/14, 43; 81/3.08, 3.29, 3.4, 3.45**

[56] **References Cited**

**U.S. PATENT DOCUMENTS**

3,048,067 8/1962 Miles et al. .... 81/3.08

3,121,355 2/1964 Morel et al. .... 81/3.4  
3,253,485 5/1966 Grote ..... 81/3.08  
3,919,901 11/1975 Braman ..... 81/3.4

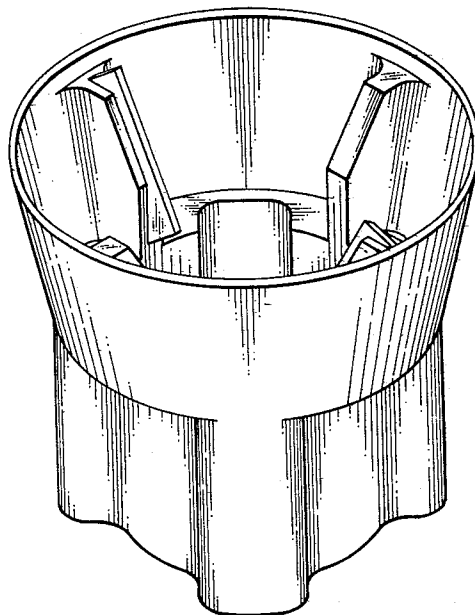
*Primary Examiner*—James M. Gandy  
*Attorney, Agent, or Firm*—Lothrop & West

[57] **CLAIM**

The ornamental design for a hand actuated vehicle radiator cap remover, as shown.

**DESCRIPTION**

FIG. 1 is a perspective view of a hand actuated vehicle radiator cap remover, showing our new design; FIG. 2 is an elevational view of one side, the opposite side being a mirror image thereof; FIG. 3 is a top plan view thereof; FIG. 4 is a bottom plan view thereof; and, FIG. 5 is a sectional view thereof, the plane of the section being indicated by the diametral line 5—5 in FIG. 3.



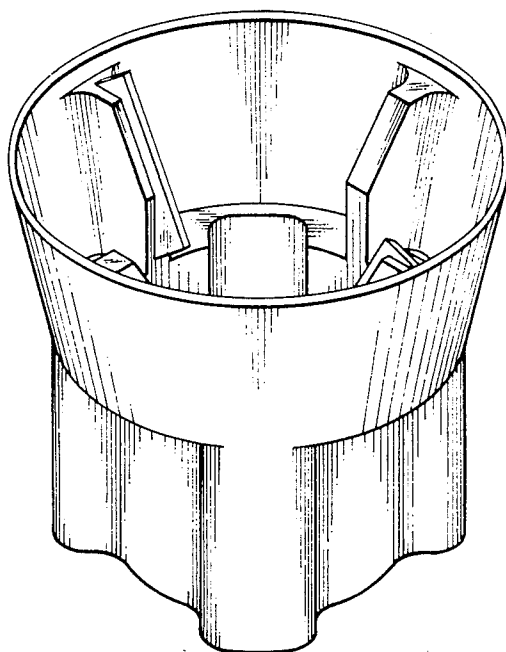


FIG. 1.

FIG. 2.

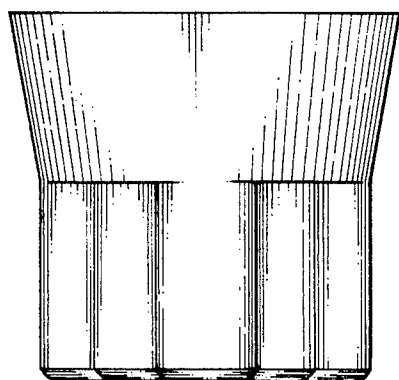


FIG. 3.

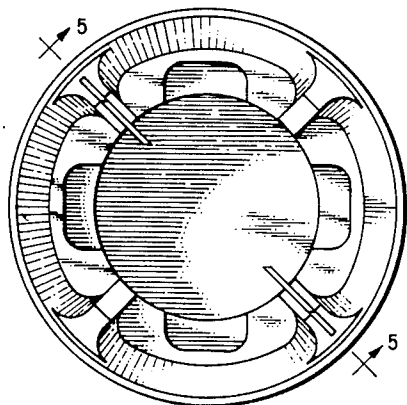


FIG. 5.

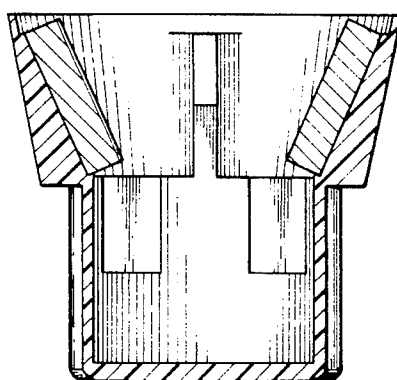


FIG. 4.

