



US00D410052S

# United States Patent [19]

[11] Patent Number: Des. 410,052

Davis et al.

[45] Date of Patent: \*\* May 18, 1999

[54] SUPPORT BASE FOR A BASEBALL BATTING PRACTICE TEE

5,556,091 9/1996 Lin ..... 473/417

### OTHER PUBLICATIONS

[76] Inventors: **William E. Davis**, 20412 Camfield La.;  
**Wayne Palica**, 20122 Port Cir., both of  
Huntington Beach, Calif. 92646

Grammes catalog, p. 42, No. 33288, 1941.  
Montrose Supply & Equipment Co. catalog, p. 209, Mount-  
ing Bracket, 1977.

[\*\*] Term: **14 Years**

*Primary Examiner*—Raphael Barkai  
*Assistant Examiner*—Richelle Shelton  
*Attorney, Agent, or Firm*—Willie Krawitz

[21] Appl. No.: **29/090,525**

### [57] CLAIM

[22] Filed: **Jul. 10, 1998**

[51] LOC (6) Cl. .... **21-02**

The ornamental design for a support base for a baseball  
batting practice tee, as shown and described.

[52] U.S. Cl. .... **D21/715; D8/354**

[58] Field of Search ..... D21/715; D8/349,  
D8/354, 355, 367, 371, 373; 248/27.1,  
200, 214, 215, 300, 346.06, 519; 473/417,  
422, 453

### DESCRIPTION

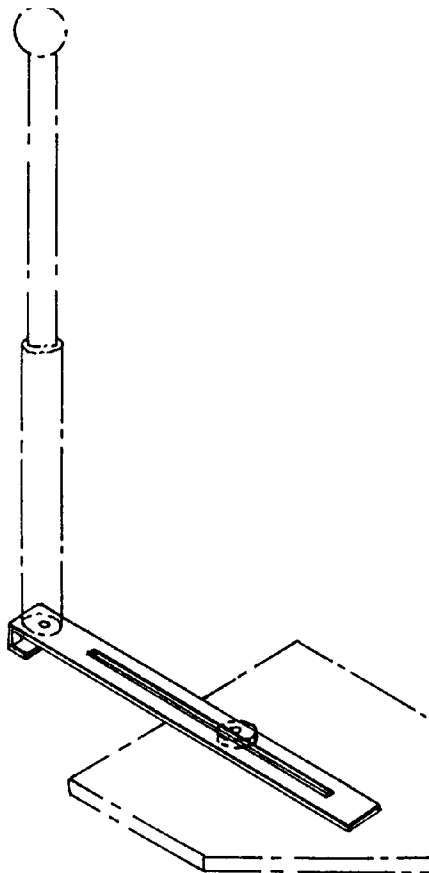
### [56] References Cited

#### U.S. PATENT DOCUMENTS

2,096,055	10/1937	Miller	.....	D21/718 X
2,920,853	1/1960	Bufogle	.....	248/214
3,139,282	6/1964	Lande	.....	473/471
3,199,823	8/1965	Stall	.....	D8/354 X
3,489,411	1/1970	Morelli et al.	.....	473/417
4,709,924	12/1987	Wilson et al.	.....	473/417

FIG. 1 is a perspective view of a support base for a baseball  
batting practice tee, showing our design;  
FIG. 2 is a top plan view thereof;  
FIG. 3 is a side elevation view thereof;  
FIG. 4 is a bottom view thereof;  
FIG. 5 is a left end elevation view thereof; and,  
FIG. 6 is a right end elevation view thereof.  
The broken line showing in FIG. 1 is for illustrative pur-  
poses only and forms no part of the claimed design.

**1 Claim, 1 Drawing Sheet**



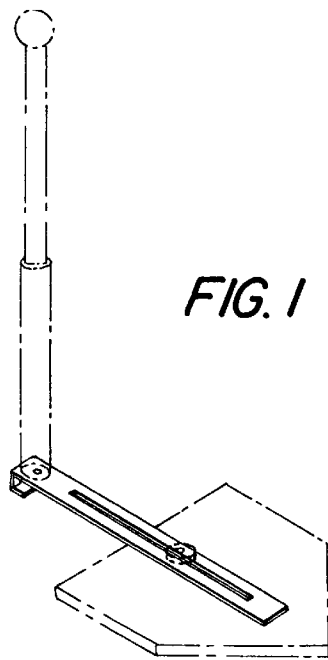


FIG. 1

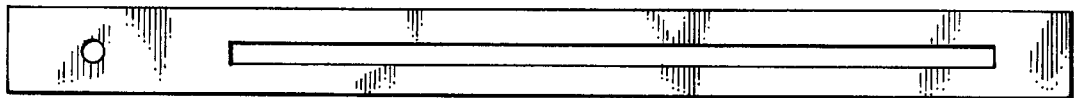


FIG. 2

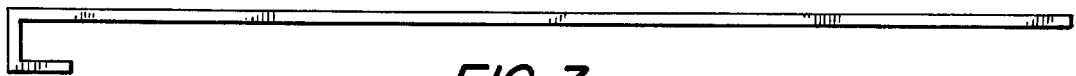


FIG. 3

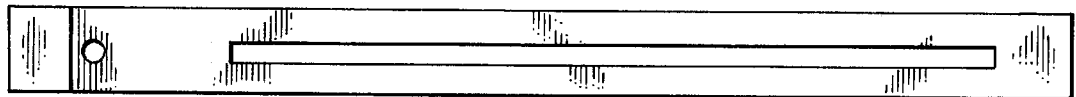


FIG. 4



FIG. 5



FIG. 6