

(19) World Intellectual Property Organization
International Bureau



(43) International Publication Date
1 November 2007 (01.11.2007)

PCT

(10) International Publication Number
WO 2007/124204 A3

- (51) International Patent Classification:
B41J 2/175 (2006.01)
- (21) International Application Number:
PCT/US2007/063093
- (22) International Filing Date: 1 March 2007 (01.03.2007)
- (25) Filing Language: English
- (26) Publication Language: English
- (30) Priority Data:
11/387,159 22 March 2006 (22.03.2006) US
- (71) Applicant (for all designated States except US):
HEWLETT-PACKARD DEVELOPMENT COMPANY, L.P. [US/US]; Hewlett-Packard Company, Intellectual Property Administration, 20555 S.H. 249, Houston, TX 77070 (US).
- (72) Inventors; and
- (75) Inventors/Applicants (for US only): **STATHEM, Ralph, L.** [US/US]; 1000 NE Circle Boulevard, Corvallis, OR 97330-4239 (US). **OLSEN, David** [US/US]; 1000 NE Circle Boulevard, Corvallis, OR 97330-4239 (US).
- (74) Agents: **JOLLY, Thomas A.** et al.; Hewlett-Packard Company, Intellectual Property Administration, P.O. Box 272400 Mail Stop 35, Fort Collins, CO 80527-2400 (US).
- (81) Designated States (unless otherwise indicated, for every kind of national protection available): AE, AG, AL, AM, AT, AU, AZ, BA, BB, BG, BR, BW, BY, BZ, CA, CH, CN, CO, CR, CU, CZ, DE, DK, DM, DZ, EC, EE, EG, ES, FI,

GB, GD, GE, GH, GM, GT, HN, HR, HU, ID, IL, IN, IS, JP, KE, KG, KM, KN, KP, KR, KZ, LA, LC, LK, LR, LS, LT, LU, LY, MA, MD, ME, MG, MK, MN, MW, MX, MY, MZ, NA, NG, NI, NO, NZ, OM, PG, PH, PL, PT, RO, RS, RU, SC, SD, SE, SG, SK, SL, SM, SV, SY, TJ, TM, TN, TR, TT, TZ, UA, UG, US, UZ, VC, VN, ZA, ZM, ZW.

- (84) Designated States (unless otherwise indicated, for every kind of regional protection available): ARIPO (BW, GH, GM, KE, LS, MW, MZ, NA, SD, SL, SZ, TZ, UG, ZM, ZW), Eurasian (AM, AZ, BY, KG, KZ, MD, RU, TJ, TM), European (AT, BE, BG, CH, CY, CZ, DE, DK, EE, ES, FI, FR, GB, GR, HU, IE, IS, IT, LT, LU, LV, MC, MT, NL, PL, PT, RO, SE, SI, SK, TR), OAPI (BF, BJ, CF, CG, CI, CM, GA, GN, GQ, GW, ML, MR, NE, SN, TD, TG).

Declarations under Rule 4.17:

- as to the identity of the inventor (Rule 4.17(i))
- as to applicant's entitlement to apply for and be granted a patent (Rule 4.17(ii))
- as to the applicant's entitlement to claim the priority of the earlier application (Rule 4.17(iii))

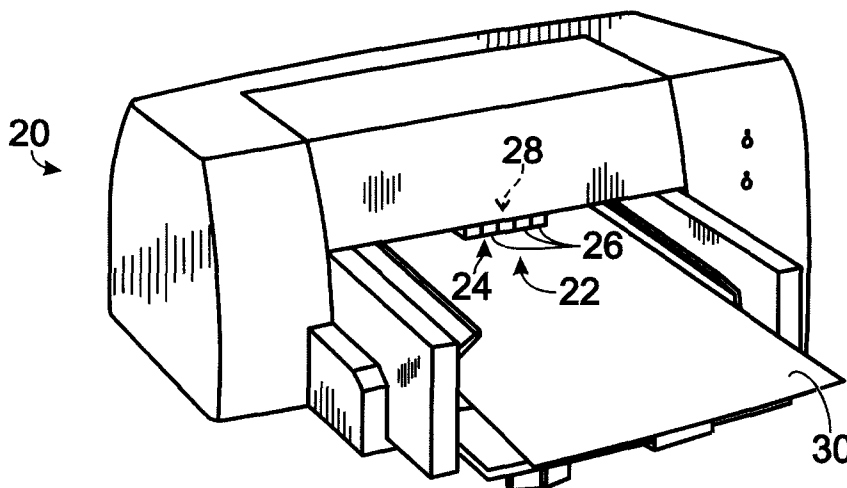
Published:

- with international search report
- before the expiration of the time limit for amending the claims and to be republished in the event of receipt of amendments

- (88) Date of publication of the international search report:
24 January 2008

For two-letter codes and other abbreviations, refer to the "Guidance Notes on Codes and Abbreviations" appearing at the beginning of each regular issue of the PCT Gazette.

(54) Title: INKJET PRINTING SYSTEM WITH PUSH PRIMING



(57) Abstract: An ink supply (24) for a push-primed inkjet printer (20) including an ink reservoir (52), a housing (56), and a pair of valves (66, 68). The housing (56) may enclose the ink reservoir (52) and define an opening (84) that provides fluid communication between the ink reservoir (52) and outside the housing (56). The pair of valves (66, 68) may be coupled to the housing (56), arranged in series, and configured to control the fluid communication.

WO 2007/124204 A3

INTERNATIONAL SEARCH REPORT

International application No

PCT/US2007/063093

A. CLASSIFICATION OF SUBJECT MATTER INV. B41J2/175		
According to International Patent Classification (IPC) or to both national classification and IPC		
B. FIELDS SEARCHED		
Minimum documentation searched (classification system followed by classification symbols) B41J		
Documentation searched other than minimum documentation to the extent that such documents are included in the fields searched		
Electronic data base consulted during the international search (name of data base and, where practical, search terms used) EPO-Internal		
C. DOCUMENTS CONSIDERED TO BE RELEVANT		
Category*	Citation of document, with indication, where appropriate, of the relevant passages	Relevant to claim No.
X	US 2005/134661 A1 (MIYAZAWA HISASHI [JP]) 23 June 2005 (2005-06-23) figures 12-15 paragraph [0078] - paragraph [0082]	1-5,7-10
X	EP 1 454 754 A (SEIKO EPSON CORP [JP]) 8 September 2004 (2004-09-08) paragraph [0089] - paragraph [0091]; figures 2,5,6 paragraph [0064] paragraph [0068]	1
X	US 2004/165043 A1 (SAKAI YASUTO [JP] ET AL) 26 August 2004 (2004-08-26) the whole document	1
X	US 2005/057626 A1 (USUI MINORU [JP] ET AL) 17 March 2005 (2005-03-17) the whole document	1
<input type="checkbox"/> Further documents are listed in the continuation of Box C. <input checked="" type="checkbox"/> See patent family annex.		
* Special categories of cited documents :		
A document defining the general state of the art which is not considered to be of particular relevance	*T* later document published after the international filing date or priority date and not in conflict with the application but cited to understand the principle or theory underlying the invention	
E earlier document but published on or after the international filing date	*X* document of particular relevance; the claimed invention cannot be considered novel or cannot be considered to involve an inventive step when the document is taken alone	
L document which may throw doubts on priority claim(s) or which is cited to establish the publication date of another citation or other special reason (as specified)	*Y* document of particular relevance; the claimed invention cannot be considered to involve an inventive step when the document is combined with one or more other such documents, such combination being obvious to a person skilled in the art.	
O document referring to an oral disclosure, use, exhibition or other means	*&* document member of the same patent family	
P document published prior to the international filing date but later than the priority date claimed		
Date of the actual completion of the international search	Date of mailing of the international search report	
5 November 2007	16/11/2007	
Name and mailing address of the ISA/ European Patent Office, P.B. 5818 Patentlaan 2 NL - 2280 HV Rijswijk Tel. (+31-70) 340-2040, Tx. 31 651 epo nl, Fax: (+31-70) 340-3016	Authorized officer João, César	

INTERNATIONAL SEARCH REPORT

Information on patent family members

International application No

PCT/US2007/063093

Patent document cited in search report		Publication date	Patent family member(s)	Publication date
US 2005134661	A1	23-06-2005	US 2006284946 A1	21-12-2006
EP 1454754	A	08-09-2004	CN 1526558 A	08-09-2004
			US 2004217127 A1	04-11-2004
US 2004165043	A1	26-08-2004	CN 1506227 A	23-06-2004
US 2005057626	A1	17-03-2005	US 2007109369 A1	17-05-2007