



US00D441024S

(12) **United States Design Patent** (10) **Patent No.:** **US D441,024 S**  
**Villalta** (45) **Date of Patent:** **\*\* Apr. 24, 2001**

(54) **DISPENSING UNIT FOR DISTRIBUTING SHAVING TOOLS**

4,708,409 \* 11/1987 Voegeli ..... D20/6 X

\* cited by examiner

(76) Inventor: **Benjamin Villalta**, 971 N. Wilton Pl., Los Angeles, CA (US) 90038

*Primary Examiner*—Nanda Bondade

(74) *Attorney, Agent, or Firm*—Goldstein & Canino

(\*\*) Term: **14 Years**

(57) **CLAIM**

(21) Appl. No.: **29/129,862**

The ornamental design for a dispensing unit for distributing shaving tools, as shown and described.

(22) Filed: **Sep. 22, 2000**

**DESCRIPTION**

(51) **LOC (7) Cl.** ..... **20-01**

(52) **U.S. Cl.** ..... **D20/1**

(58) **Field of Search** ..... D6/408; D20/1-9; 194/255, 291, 350; 221/154, 155, 191, 194, 195, 213, 215

FIG. 1 is a perspective view of a dispensing unit for distributing shaving tools.

FIG. 2 is a front elevational view thereof.

FIG. 3 is a rear elevational view thereof.

FIG. 4 is a left side elevational view thereof, the right side elevational view being a mirror image of the left side view.

FIG. 5 is a top plan view of the dispensing unit for distributing shaving tools.

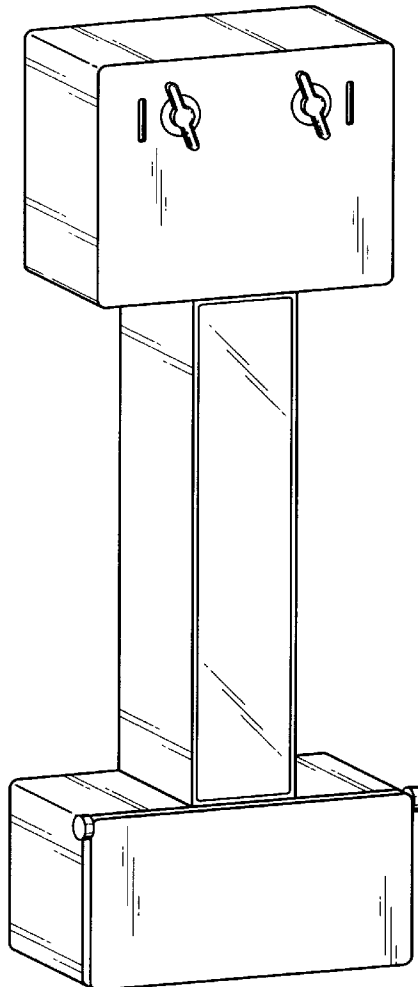
FIG. 6 is a bottom plan view thereof.

(56) **References Cited**

**U.S. PATENT DOCUMENTS**

- D. 198,150 \* 5/1964 Hibner ..... D6/408
- D. 344,762 \* 3/1994 Peterson ..... D20/7
- D. 372,272 \* 7/1996 Frisch ..... D20/1

**1 Claim, 2 Drawing Sheets**



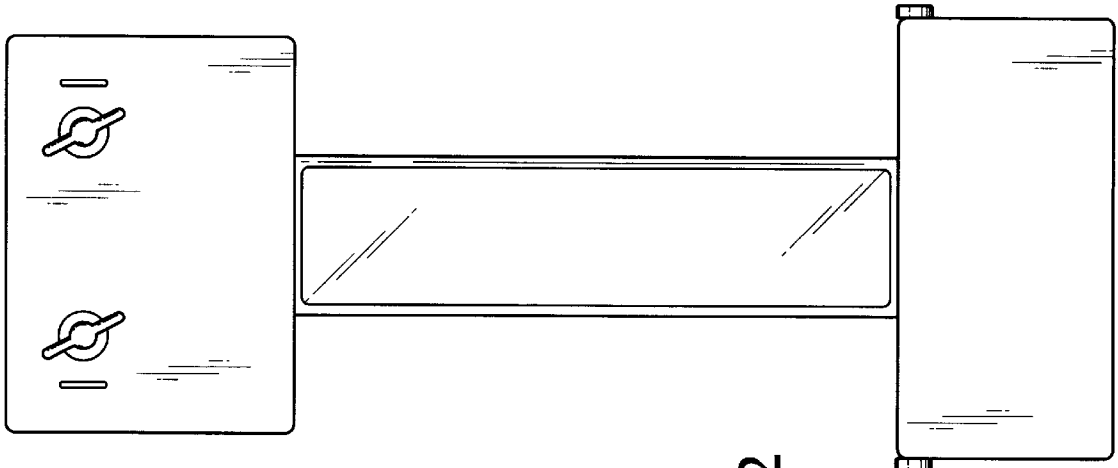


Fig. 1

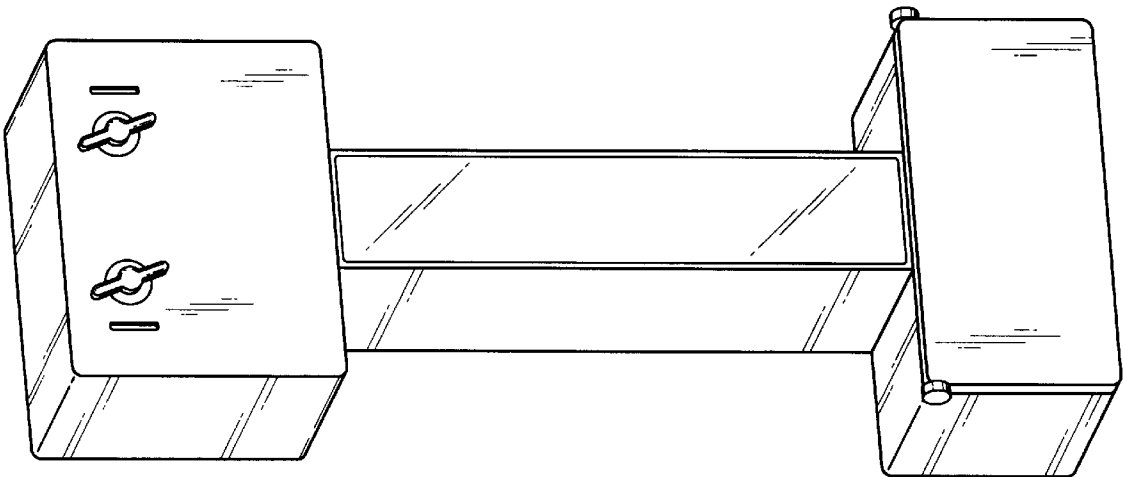


Fig. 2

Fig. 4

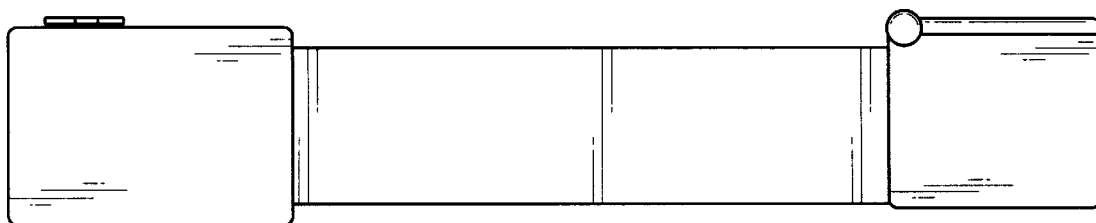


Fig. 3

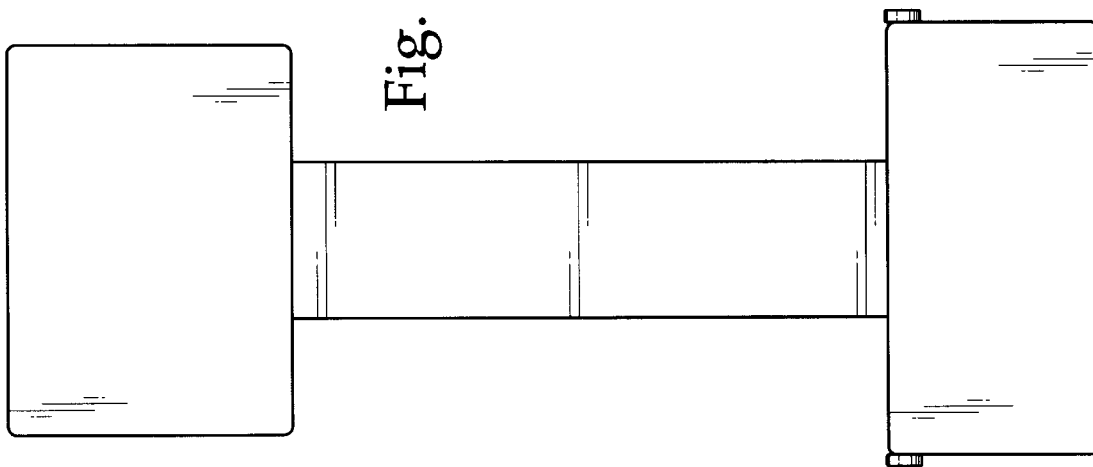


Fig. 5

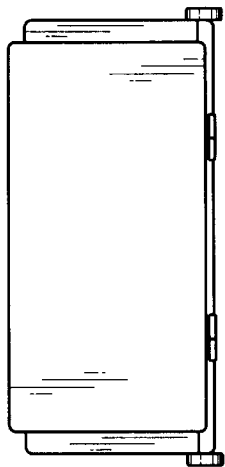


Fig. 6

