



US00D796142S

(12) **United States Design Patent**  
**Miller et al.**

(10) **Patent No.:** **US D796,142 S**

(45) **Date of Patent:** **\*\* Aug. 29, 2017**

(54) **IRON**

(71) Applicant: **Spectrum Brands, Inc.**, Middleton, WI (US)

(72) Inventors: **Randy Scott Miller**, DeForest, WI (US); **Francisco Javier Barquin**, Madison, WI (US)

(73) Assignee: **Spectrum Brands, Inc.**, Middleton, WI (US)

(\*\*) Term: **15 Years**

(21) Appl. No.: **29/549,892**

(22) Filed: **Dec. 29, 2015**

(51) **LOC (10) Cl.** ..... **07-05**

(52) **U.S. Cl.**  
USPC ..... **D32/70**

(58) **Field of Classification Search**

USPC ..... D32/70, 71, 73, 72, 69, 68, 35; D8/71, D8/373, 349, 396, 30; D15/144, 144.2; D28/73; 219/231, 242, 229; 165/80.1; 126/414

CPC ..... D06F 75/34; D06F 75/08; D06F 75/38; D06F 75/00; F22B 27/14; B08B 3/006

See application file for complete search history.

(56) **References Cited**

**U.S. PATENT DOCUMENTS**

D509,936 S *	9/2005	Barquin Santillan	.....	D32/70
D594,165 S *	6/2009	Mizoguchi	.....	D32/70
D594,166 S *	6/2009	Mizoguchi	.....	D32/70
D610,763 S	2/2010	Massip et al.		
D610,764 S	2/2010	Massip et al.		
D610,765 S	2/2010	Massip et al.		
D624,266 S	9/2010	Massip et al.		
D629,991 S *	12/2010	Day	.....	D32/70
D632,861 S	2/2011	Massip et al.		
D635,316 S	3/2011	Massip et al.		

D659,928 S	5/2012	Yan		
D659,929 S	5/2012	Yan		
D676,210 S *	2/2013	Sirard	.....	D32/70
D700,414 S	2/2014	Spatz		
D712,109 S *	8/2014	Day	.....	D32/70
D715,012 S *	10/2014	Ringholm	.....	D32/70
D718,512 S *	11/2014	Whitney	.....	D32/70
D728,886 S *	5/2015	Whitney	.....	D32/70
D734,582 S *	7/2015	Umeda	.....	D32/70
D739,108 S *	9/2015	Orthey	.....	D32/70
D747,059 S *	1/2016	Esteve	.....	D32/70

(Continued)

**OTHER PUBLICATIONS**

Black and Decker ICR05X Xpress Steam Cord Reel Iron, disclosure date unknown but prior to filing [online], [site visited Dec. 2015]. Available from Internet <URL: <http://www.blackanddeckerappliances.com/products/garment-care/taditional-irons/icr05x-xpress-steam-cord-reel-iron.aspx>>.

(Continued)

*Primary Examiner* — Austin Murphy

(74) *Attorney, Agent, or Firm* — Banner & Witcoff, Ltd.

(57)

**CLAIM**

The ornamental design for an iron, as shown and described.

**DESCRIPTION**

FIG. 1 is a front perspective view of an iron showing our new design;

FIG. 2 is a right side view thereof;

FIG. 3 is a left side view thereof;

FIG. 4 is a front view thereof;

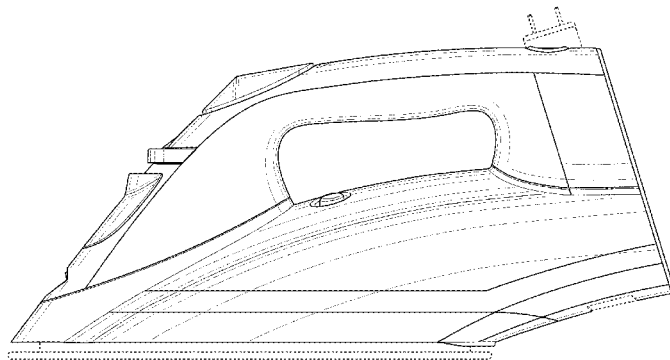
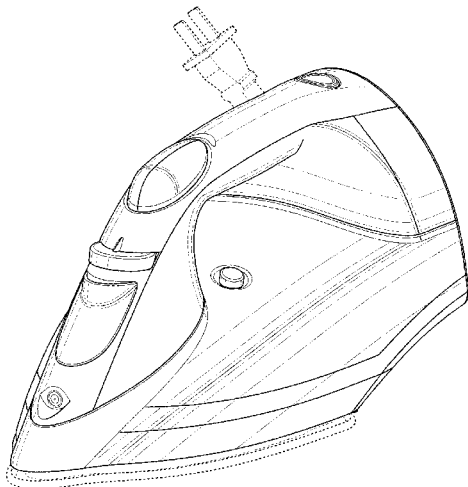
FIG. 5 is a rear view thereof;

FIG. 6 is a top view thereof; and,

FIG. 7 is a bottom view thereof.

The broken line showing of the various unshaded elements of the iron-represents unclaimed subject matter and forms no part of the claimed design.

**1 Claim, 7 Drawing Sheets**



(56)

**References Cited**

U.S. PATENT DOCUMENTS

D773,144 S \* 11/2016 Tan ..... D32/70

OTHER PUBLICATIONS

Black and Decker ICR07X Xpress Traditional Cord Reel Iron, disclosure date unknown but prior to filing [online], [site visited Dec. 2015]. Available from Internet, <URL: <http://www.blackanddeckerappliances.com/products/garment-care/traditional-irons/ICR07X-Xpress-Cord-Reel-Iron.aspx>>.

Black and Decker IR1070S Steam Advantage Iron, disclosure date unknown but prior to filing [online], [site visited Dec. 2015]. Available from Internet, <URL: <http://www.amazon.com/Black-Decker-IR1070S-Advantage-Stainless/dp/B004TOBJ9I>>.

Black and Decker ICR30X Xpress Steam Cord Reel Iron, disclosure date unknown but prior to filing [online], [site visited Dec. 2015]. Available from Internet, <URL: <http://www.blackanddeckerappli->

[ances.com/products/garment-care/traditional-irons/ICR30X-Xpress-Steam-Cord-Reel-Iron.aspx](http://www.blackanddeckerappliances.com/products/garment-care/traditional-irons/ICR30X-Xpress-Steam-Cord-Reel-Iron.aspx)>.

Black and Decker IRO5X Xpress Traditional Steam Iron, disclosure date unknown but prior to filing [online], [site visited Dec. 2015]. Available from Internet <URL: <http://www.blackanddeckerappliances.com/products/garment-care/traditional-irons/IR05X-Xpress-Traditional-Steam-Iron.aspx>>.

Black and Decker IRO8X Xpress Steam Iron, disclosure date unknown but prior to filing [online], [site visited Dec. 2015]. Available from Internet <URL: <http://www.blackanddeckerappliances.com/products/garment-care/traditional-irons/xpress-steam-iron-ir08x.aspx>>.

Black and Decker IR34V Corded Easy Steam Iron, disclosure date unknown but prior to filing [online], [site visited Dec. 2015]. Available from Internet <URL: <http://www.walmart.com/ip/Black-Decker-Corded-Easy-Steam-Iron-Lime-Green/23745966>>.

Black and Decker IRO3V Easy Steam Iron, disclosure date unknown but prior to filing [online], [site visited Dec. 2015]. Available from Internet, <URL: <http://www.amazon.com/Black-Decker-IR03V-Steam-White/dp/B00A0UF1AO>>.

\* cited by examiner

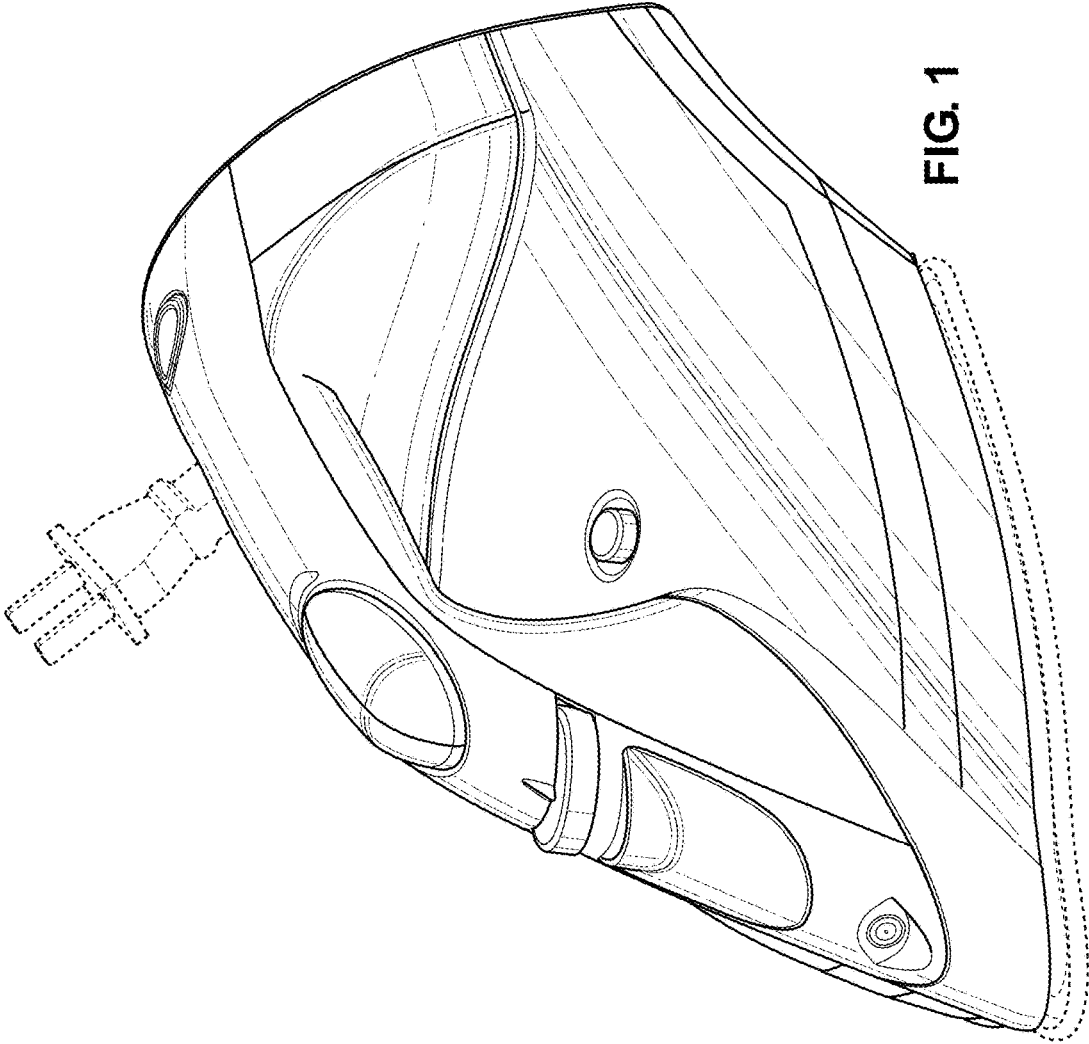


FIG. 1

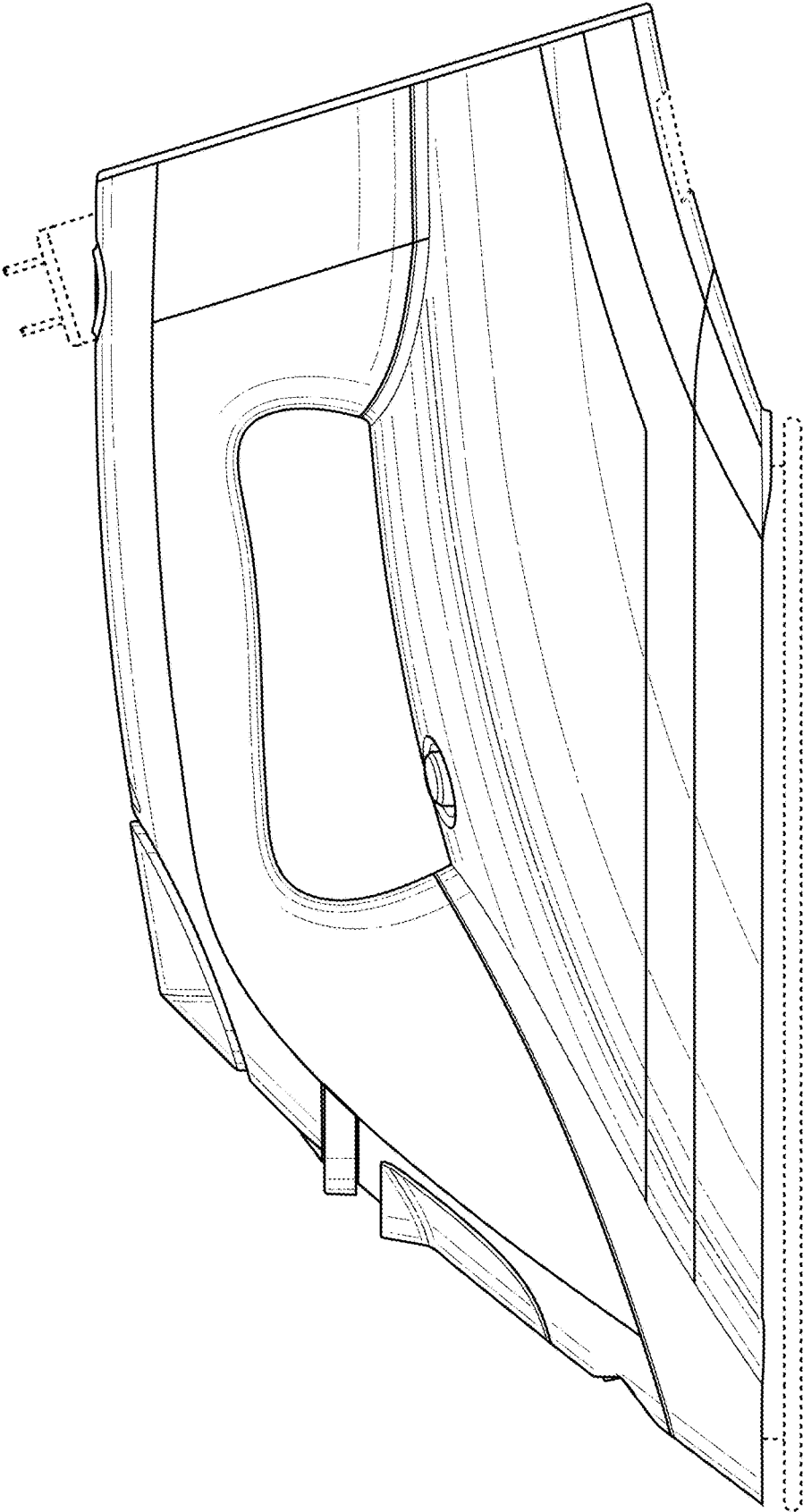


FIG. 2

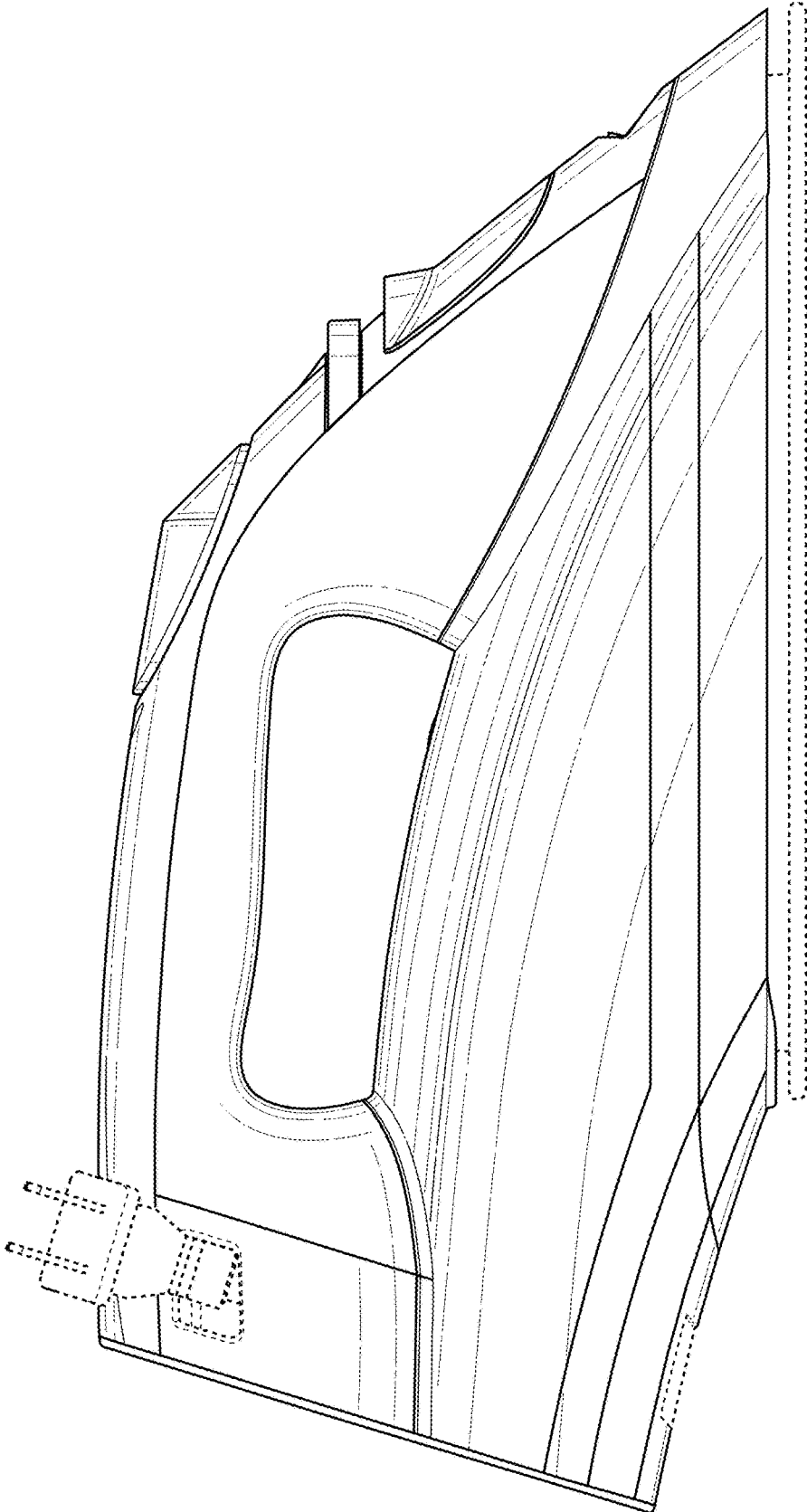


FIG. 3

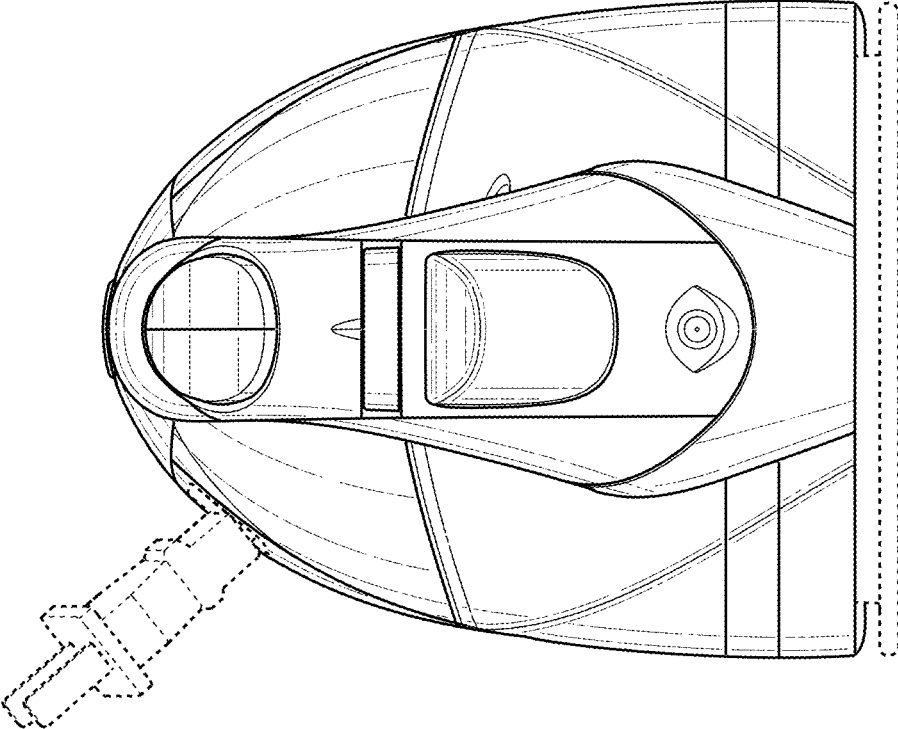


FIG. 4

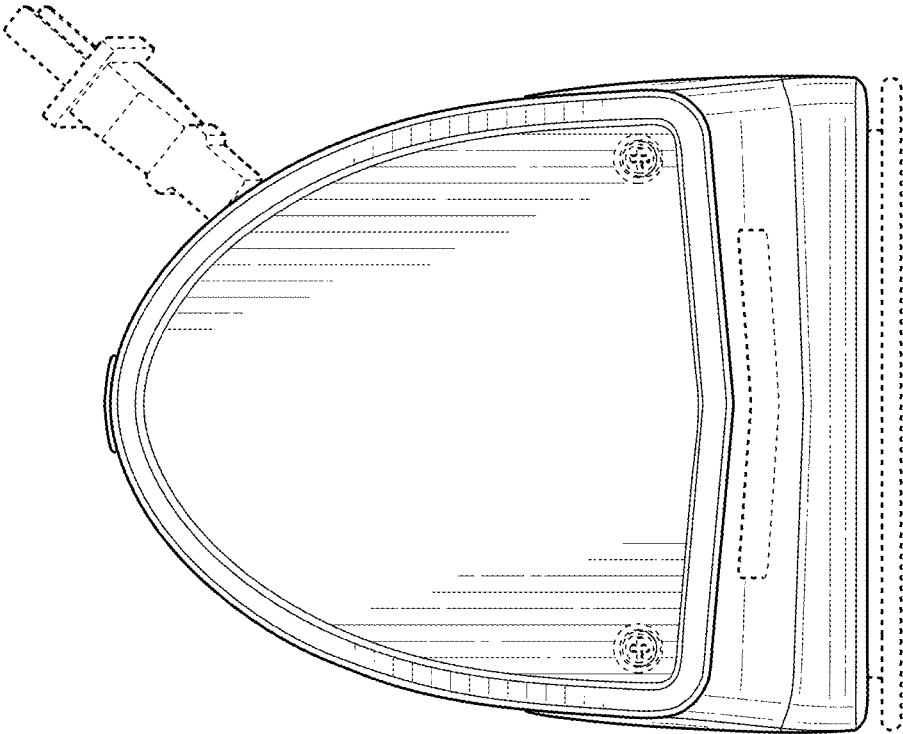


FIG. 5

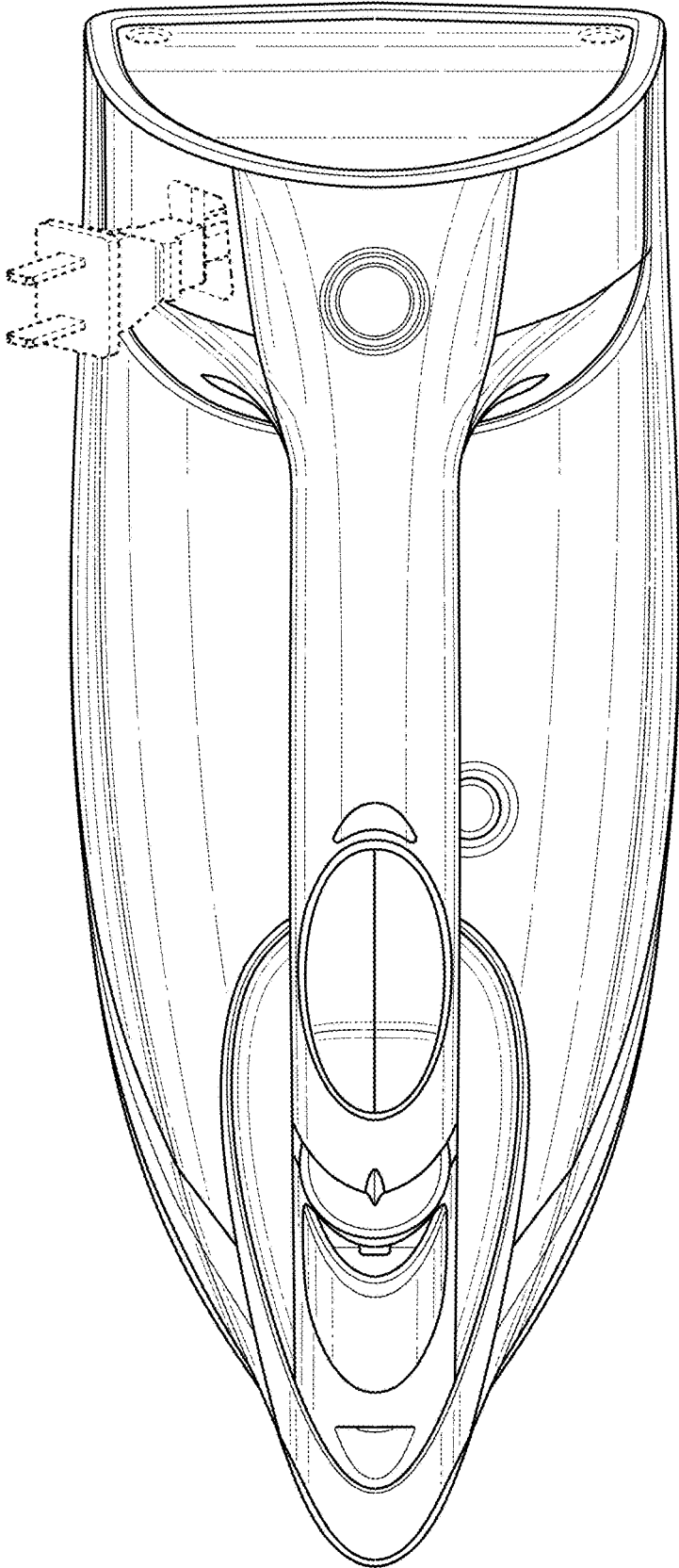


FIG. 6

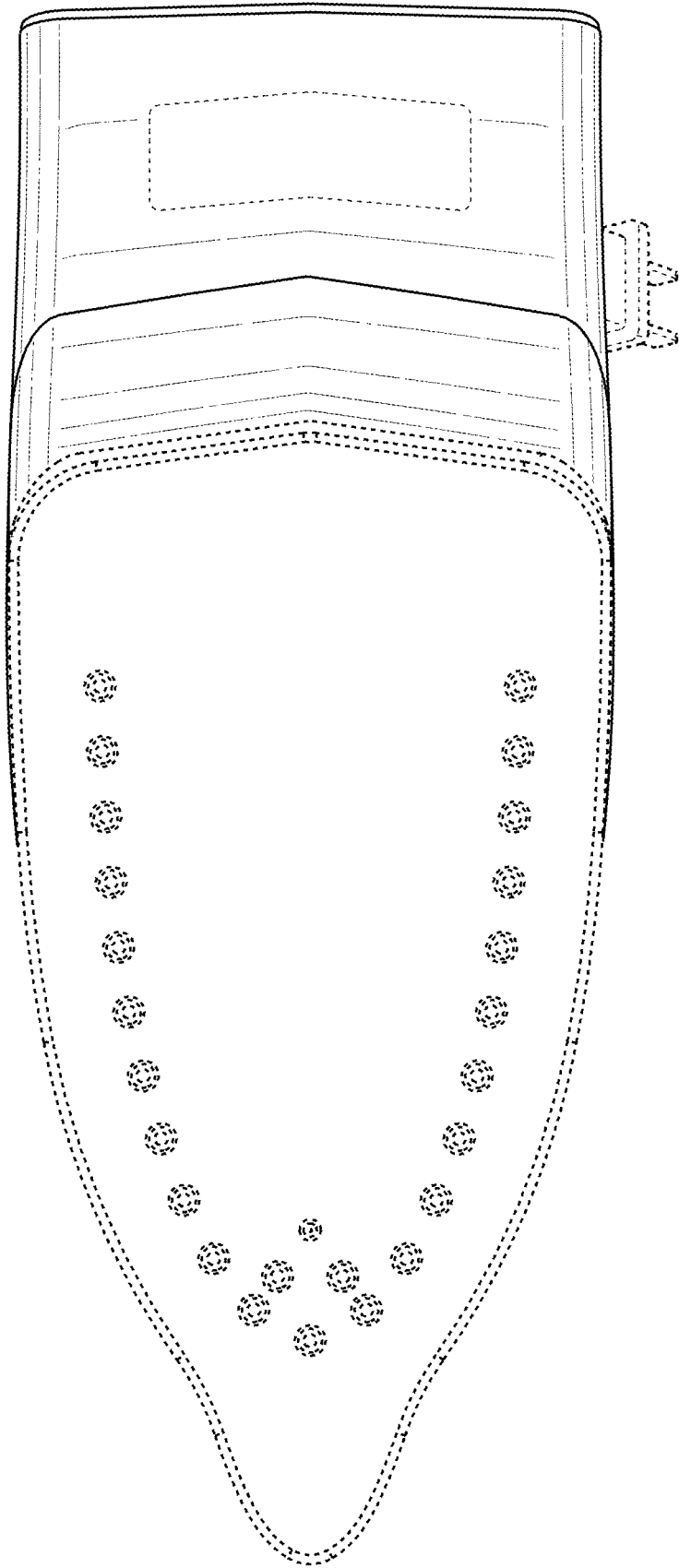


FIG. 7