



(51) International Patent Classification:

G06T 7/00 (2006.01) G06T 5/00 (2006.01)  
G06T 7/60 (2006.01) G06T 3/00 (2006.01)

(21) International Application Number:

PCT/US2013/036314

(22) International Filing Date:

12 April 2013 (12.04.2013)

(25) Filing Language:

English

(26) Publication Language:

English

(30) Priority Data:

61/623,178 12 April 2012 (12.04.2012) US  
61/732,636 3 December 2012 (03.12.2012) US

(71) Applicant (for all designated States except US): SMART PICTURE TECHNOLOGIES INC. [US/US]; 1001 S Capital of Texas Hwy, Bldg I, Suite 200, Austin, Texas 78746 (US).

(72) Inventors; and

(71) Applicants (for US only): MYLLYKOSKI, Kari [US/US]; Austin, Texas (US). LAMONT, Shaun [US/US]; Galveston, Texas (US). CAIN, Kevin [US/US]; Emeryville, California (US). GROTELUESCHEN, Jim [US/US]; Chicago, Illinois (US). FREEMAN, Mark [US/US]; Seattle, Washington (US). JOVANOVIC, Dejan

[US/US]; Austin, Texas (US). BEARDMORE, Keith [US/US]; El Paso, Texas (US).

(74) Agent: GREETHER, Heinz; Heinz Grether PC, G2 Technology Law, P.O. Box 202858, Austin, Texas 78720 (US).

(81) Designated States (unless otherwise indicated, for every kind of national protection available): AE, AG, AL, AM, AO, AT, AU, AZ, BA, BB, BG, BH, BN, BR, BW, BY, BZ, CA, CH, CL, CN, CO, CR, CU, CZ, DE, DK, DM, DO, DZ, EC, EE, EG, ES, FI, GB, GD, GE, GH, GM, GT, HN, HR, HU, ID, IL, IN, IS, JP, KE, KG, KM, KN, KP, KR, KZ, LA, LC, LK, LR, LS, LT, LU, LY, MA, MD, ME, MG, MK, MN, MW, MX, MY, MZ, NA, NG, NI, NO, NZ, OM, PA, PE, PG, PH, PL, PT, QA, RO, RS, RU, RW, SC, SD, SE, SG, SK, SL, SM, ST, SV, SY, TH, TJ, TM, TN, TR, TT, TZ, UA, UG, US, UZ, VC, VN, ZA, ZM, ZW.

(84) Designated States (unless otherwise indicated, for every kind of regional protection available): ARIPO (BW, GH, GM, KE, LR, LS, MW, MZ, NA, RW, SD, SL, SZ, TZ, UG, ZM, ZW), Eurasian (AM, AZ, BY, KG, KZ, RU, TJ, TM), European (AL, AT, BE, BG, CH, CY, CZ, DE, DK, EE, ES, FI, FR, GB, GR, HR, HU, IE, IS, IT, LT, LU, LV, MC, MK, MT, NL, NO, PL, PT, RO, RS, SE, SI, SK, SM, TR), OAPI (BF, BJ, CF, CG, CI, CM, GA, GN, GQ, GW, ML, MR, NE, SN, TD, TG).

[Continued on next page]

(54) Title: ORTHOGRAPHIC IMAGE CAPTURE SYSTEM

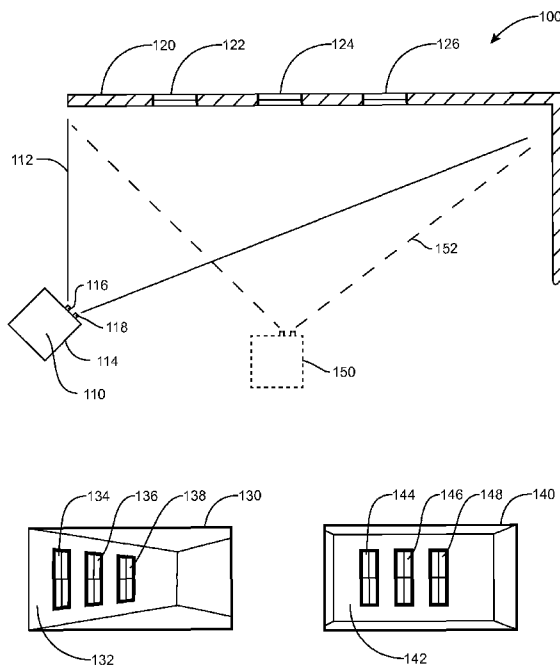


FIG. 1

(57) Abstract: An image capture system for an image data capture and processing system, consisting of a digital imaging device, active illumination source, computer and software that generates 2 dimensional data sets from which real world coordinate information with planarity, scale, aspect, and innate dimensional qualities can be extracted from the captured image in order to transform the image data into other geometric perspectives and to extract real dimensional data from the imaged objects. The image transformations may be homographic transformations, orthographic transformations, perspective transformations, or other transformations that takes into account distortions in the captured image caused by the camera angle.





**Published:**

**(88) Date of publication of the international search report:**

3 January 2014

- *with international search report (Art. 21(3))*
- *before the expiration of the time limit for amending the claims and to be republished in the event of receipt of amendments (Rule 48.2(h))*

**INTERNATIONAL SEARCH REPORT**

International application No PCT/US2013/036314
---

**A. CLASSIFICATION OF SUBJECT MATTER**  
 INV. G06T7/00 G06T7/60 G06T5/00 G06T3/00  
 ADD.  
 According to International Patent Classification (IPC) or to both national classification and IPC

**B. FIELDS SEARCHED**  
 Minimum documentation searched (classification system followed by classification symbols)  
 G06T

Documentation searched other than minimum documentation to the extent that such documents are included in the fields searched

Electronic data base consulted during the international search (name of data base and, where practicable, search terms used)  
 EPO-Internal, COMPENDEX, INSPEC, WPI Data

**C. DOCUMENTS CONSIDERED TO BE RELEVANT**

Category*	Citation of document, with indication, where appropriate, of the relevant passages	Relevant to claim No.
X	US 2006/017720 A1 (LI YOU F [HK]) 26 January 2006 (2006-01-26) abstract; claim 1	1
X	----- US 8 031 909 B2 (SE SHUEN YAN STEPHEN [CA] ET AL) 4 October 2011 (2011-10-04) column 4, lines 15-18 column 7, lines 14-16 column 8, lines 3-14 column 10, lines 18-25 column 12, lines 37-62 column 13, lines 16-25 ----- -/--	1

Further documents are listed in the continuation of Box C.       See patent family annex.

\* Special categories of cited documents :

"A" document defining the general state of the art which is not considered to be of particular relevance	"T" later document published after the international filing date or priority date and not in conflict with the application but cited to understand the principle or theory underlying the invention
"E" earlier application or patent but published on or after the international filing date	"X" document of particular relevance; the claimed invention cannot be considered novel or cannot be considered to involve an inventive step when the document is taken alone
"L" document which may throw doubts on priority claim(s) or which is cited to establish the publication date of another citation or other special reason (as specified)	"Y" document of particular relevance; the claimed invention cannot be considered to involve an inventive step when the document is combined with one or more other such documents, such combination being obvious to a person skilled in the art
"O" document referring to an oral disclosure, use, exhibition or other means	"&" document member of the same patent family
"P" document published prior to the international filing date but later than the priority date claimed	

Date of the actual completion of the international search  7 November 2013	Date of mailing of the international search report  15/11/2013
--	--

Name and mailing address of the ISA/ European Patent Office, P.B. 5818 Patentlaan 2 NL - 2280 HV Rijswijk Tel. (+31-70) 340-2040, Fax: (+31-70) 340-3016	Authorized officer  Eckert, Lars
--	--

**INTERNATIONAL SEARCH REPORT**

International application No PCT/US2013/036314
---

C(Continuation). DOCUMENTS CONSIDERED TO BE RELEVANT		
Category*	Citation of document, with indication, where appropriate, of the relevant passages	Relevant to claim No.
X	<p>KEVIN CAIN ET AL: "Drawing Accurate Ground Plans Using Optical Triangulation Data",                      PROCEEDINGS / 2003 IEEE COMPUTER SOCIETY CONFERENCE ON COMPUTER VISION AND PATTERN RECOGNITION, 18 - 20 JUNE 2003, MADISON, WISCONSIN; [PROCEEDINGS OF THE IEEE COMPUTER CONFERENCE ON COMPUTER VISION AND PATTERN RECOGNITION], LOS ALAMITOS, CALIF. [U.A.,                      16 June 2003 (2003-06-16), page 15,                      XP031320590,                      ISBN: 978-0-7695-1900-5                      abstract                      page 1, right-hand column, lines 8-17                      page 2, right-hand column, line 13 - page 3, left-hand column, line 11                      -----</p>	1
X,P	<p>EP 2 554 940 A1 (BOEING CO [US])                      6 February 2013 (2013-02-06)                      abstract                      paragraphs [0006], [0012], [0036], [0037], [0071] - [0073]                      -----</p>	1

# INTERNATIONAL SEARCH REPORT

Information on patent family members

International application No <b>PCT/US2013/036314</b>
--

Patent document cited in search report	Publication date	Publication date	Patent family member(s)	Publication date
US 2006017720 A1	26-01-2006	US	2006017720 A1	26-01-2006
		US	2009102840 A1	23-04-2009
-----				
US 8031909 B2	04-10-2011	US	2006221072 A1	05-10-2006
		US	2010098327 A1	22-04-2010
		US	2010098328 A1	22-04-2010
		US	2012120072 A1	17-05-2012
		WO	2006084385 A1	17-08-2006
-----				
EP 2554940 A1	06-02-2013	AU	2012203199 A1	21-02-2013
		CA	2781289 A1	03-02-2013
		EP	2554940 A1	06-02-2013
		US	2013033596 A1	07-02-2013
-----				