



US00D704792S

(12) **United States Design Patent**
Fitzpatrick et al.

(10) **Patent No.:** **US D704,792 S**

(45) **Date of Patent:** **** May 13, 2014**

(54) **FOLDING REAR SIGHT FOR A FIREARM**

Primary Examiner — Michael A Pratt

(71) Applicant: **Magpul Industries Corporation**, Erie, CO (US)

(74) *Attorney, Agent, or Firm* — Swanson & Bratschun, L.L.C.

(72) Inventors: **Richard Fitzpatrick**, Longmont, CO (US); **Michael T. Mayberry**, Denver, CO (US); **Grady Barfoot**, Denver, CO (US); **Brad Bennett**, Lafayette, CO (US)

(57) **CLAIM**

The ornamental design for a folding rear sight for a firearm, as shown and described.

(73) Assignee: **Magpul Industries Corporation**, Erie, CO (US)

DESCRIPTION

(**) Term: **14 Years**

(21) Appl. No.: **29/441,128**

(22) Filed: **Dec. 31, 2012**

(51) **LOC (10) Cl.** **22-01**

(52) **U.S. Cl.** **D22/108**
USPC **D22/108**

(58) **Field of Classification Search**
USPC D22/108–109; 42/111–128; 89/1.61, 89/200–204; 33/297
See application file for complete search history.

FIG. 1 is a rear, right, top perspective view of a folding rear sight for a firearm showing our new design;
FIG. 2 is a front, left, top perspective view of the folding rear sight for a firearm of FIG. 1;
FIG. 3 is a front elevation view of the folding rear sight for a firearm of FIG. 1;
FIG. 4 is a rear elevation view of the folding rear sight for a firearm of FIG. 1;
FIG. 5 is a right side elevation view of the folding rear sight for a firearm of FIG. 1;
FIG. 6 is a left side elevation view of the folding rear sight for a firearm of FIG. 1;
FIG. 7 is a top plan view of the folding rear sight for a firearm of FIG. 1;
FIG. 8 is a bottom plan view of the folding rear sight for a firearm of FIG. 1;
FIG. 9 is a front, right top perspective view of the folding rear sight for a firearm of FIG. 1 showing the rear sight pivoted to an upright operative position;
FIG. 10 is a rear, right, bottom perspective view of the folding rear sight for a firearm of FIG. 1 showing the rear sight pivoted to an upright operative position; and,
FIG. 11 is a front, left, top perspective view of the folding rear sight for a firearm of FIG. 1 showing the rear sight pivoted to an upright operative position and further showing a sight aperture restrictor pivoted downward to provide a large aperture in an operative position.
The broken lines showing portions of the design in all figures is included for the purpose of illustrating environment and unclaimed features and forms not part of the claimed design.

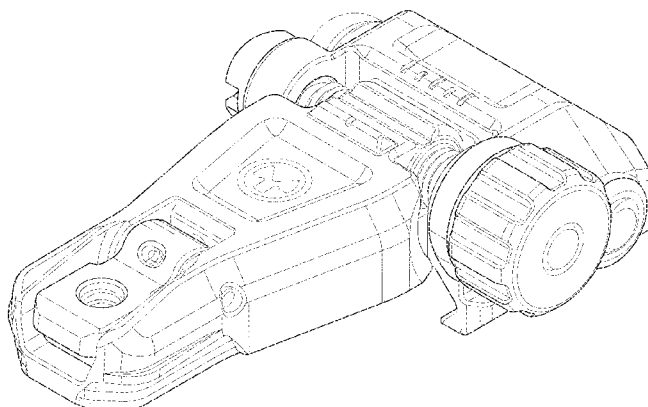
(56) **References Cited**

U.S. PATENT DOCUMENTS

1,257,713	A	2/1918	Johnson	
D235,339	S	6/1975	Edstrom	
D354,111	S	1/1995	Karppinen	
6,779,290	B1	8/2004	Houtsma	
D526,380	S *	8/2006	Swan	D22/109
7,356,962	B2	4/2008	Swan	
D594,083	S	6/2009	Mayberry et al.	
D594,084	S	6/2009	Mayberry et al.	
D615,144	S	5/2010	Mayberry et al.	
D648,413	S	11/2011	Mayberry et al.	
D675,281	S *	1/2013	Speroni	D22/109
D687,915	S *	8/2013	Adcock, Jr.	D22/109
2003/0140546	A1	7/2003	Kay	
2006/0156559	A1	7/2006	Forrest	
2007/0130817	A1	6/2007	Ballard	

(Continued)

1 Claim, 9 Drawing Sheets



US D704,792 S

Page 2

(56)

References Cited

U.S. PATENT DOCUMENTS

2007/0271834	A1	11/2007	Keng
2008/0034638	A1	2/2008	Spuhr
2008/0253110	A1	10/2008	Wu

2007/0234625 A1 10/2007 Kidd

* cited by examiner

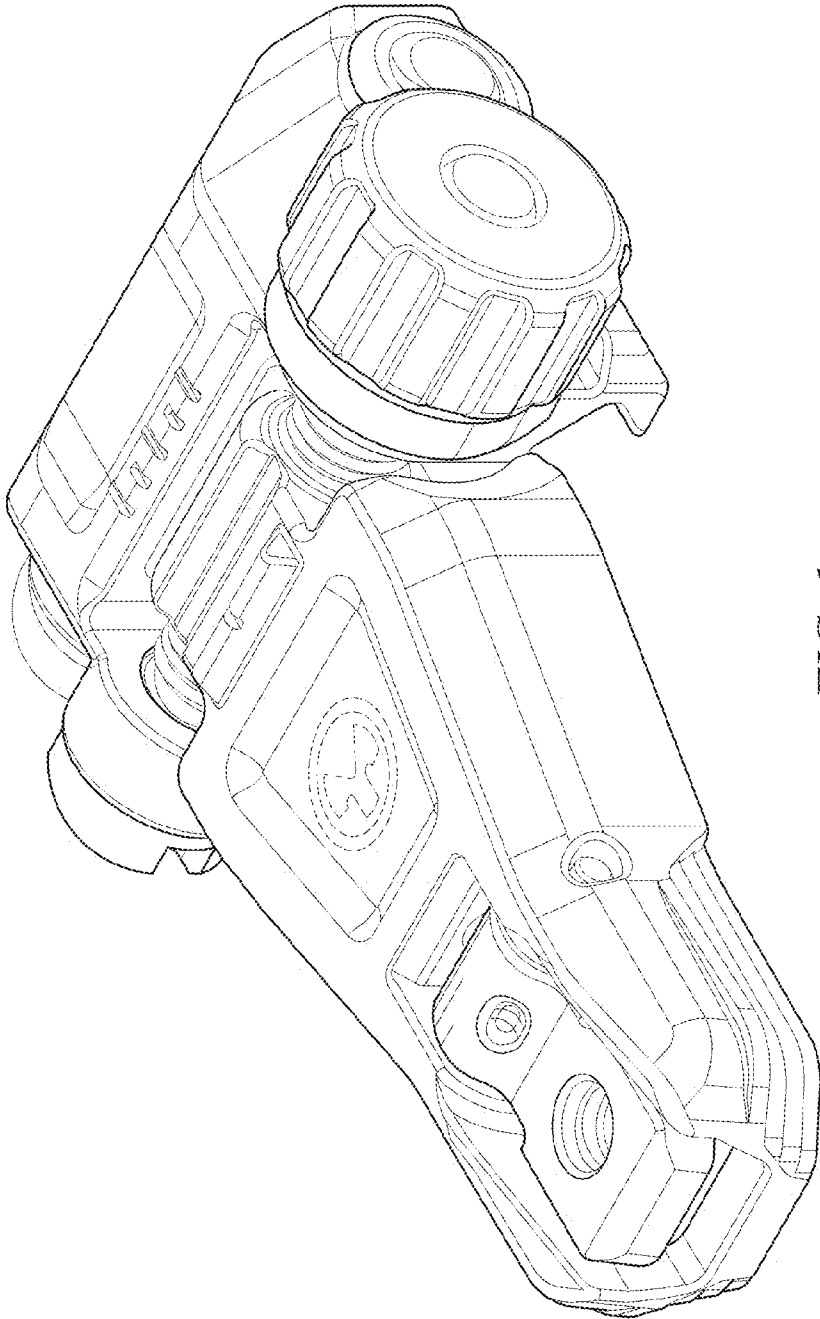


FIG. 1

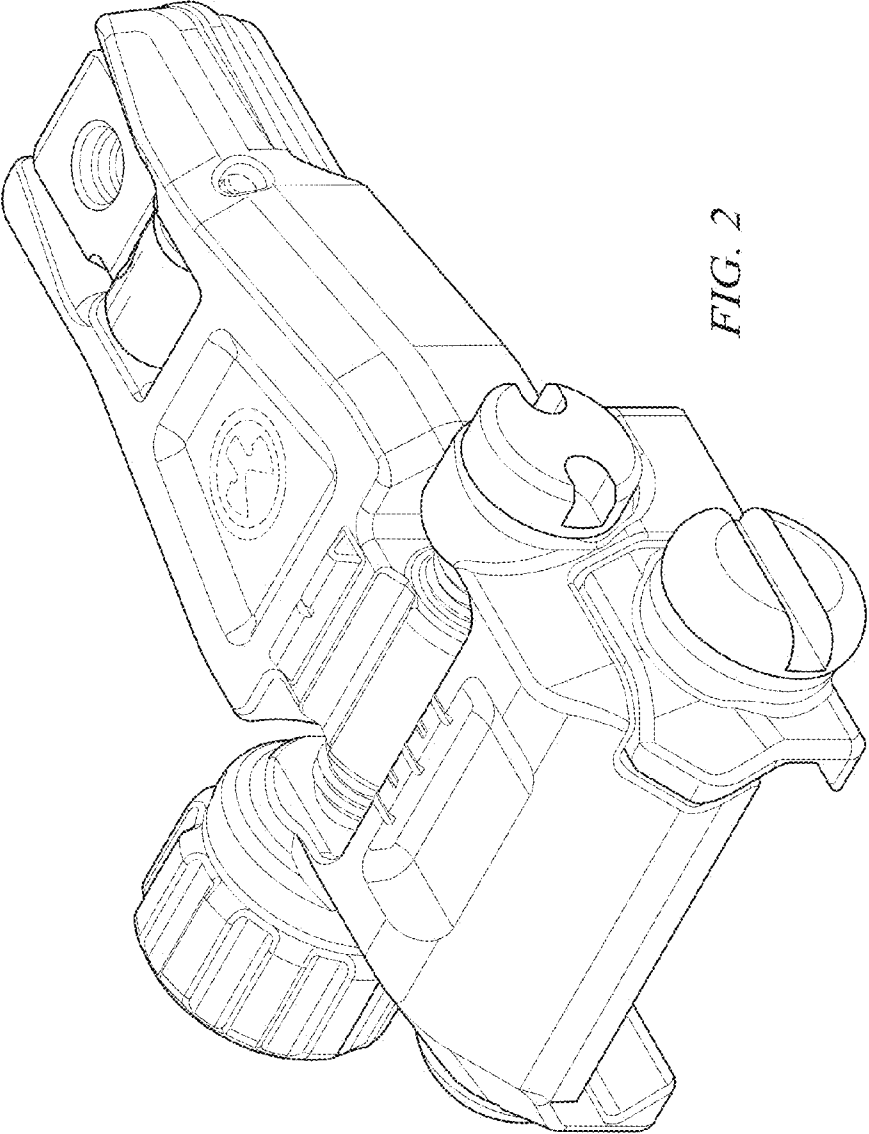


FIG. 2

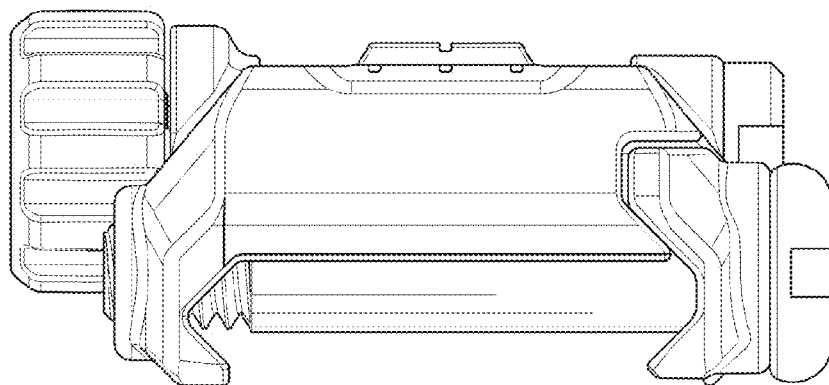


FIG. 3

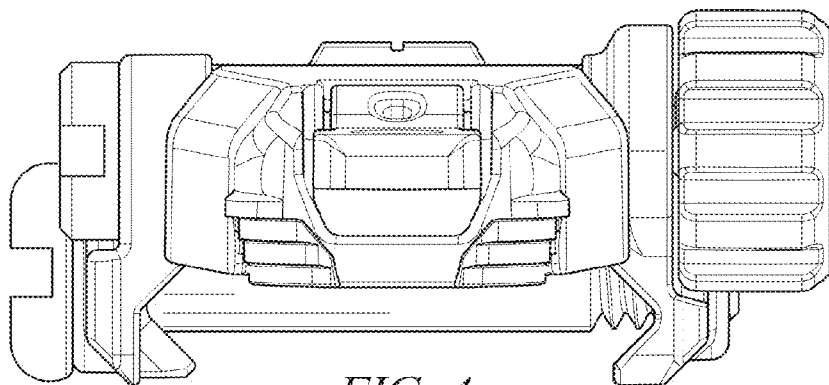
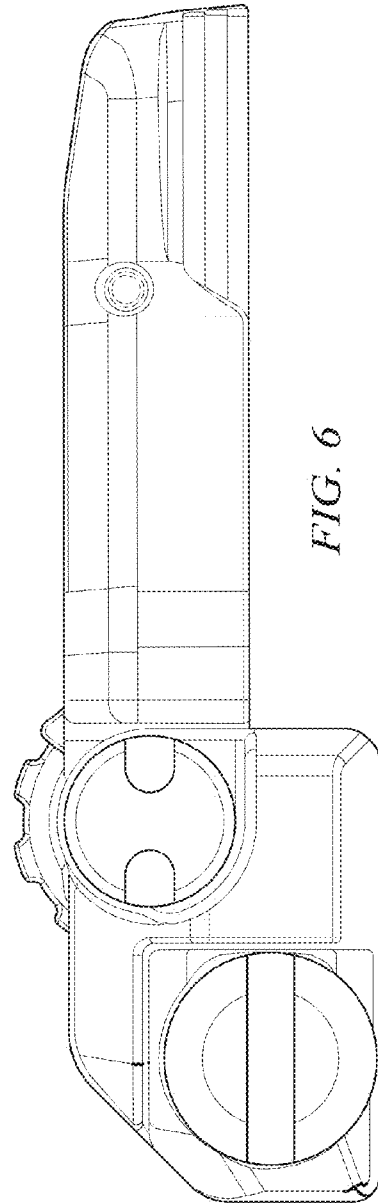
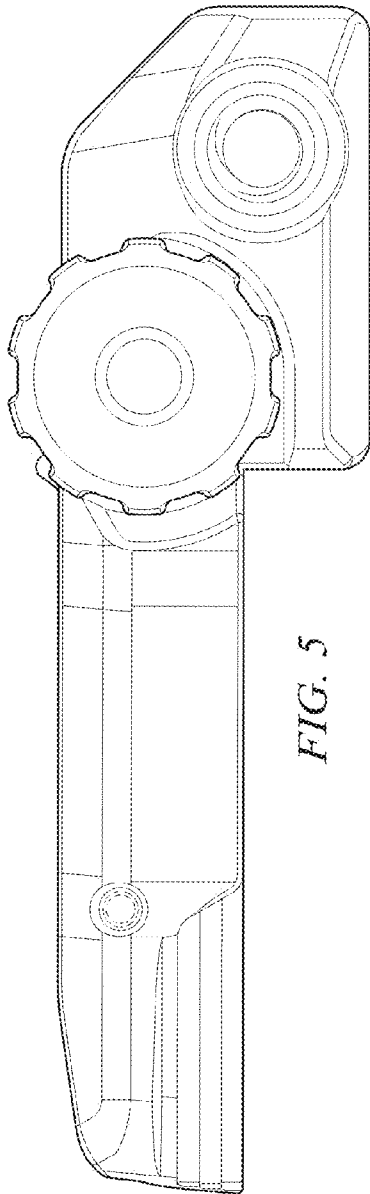


FIG. 4



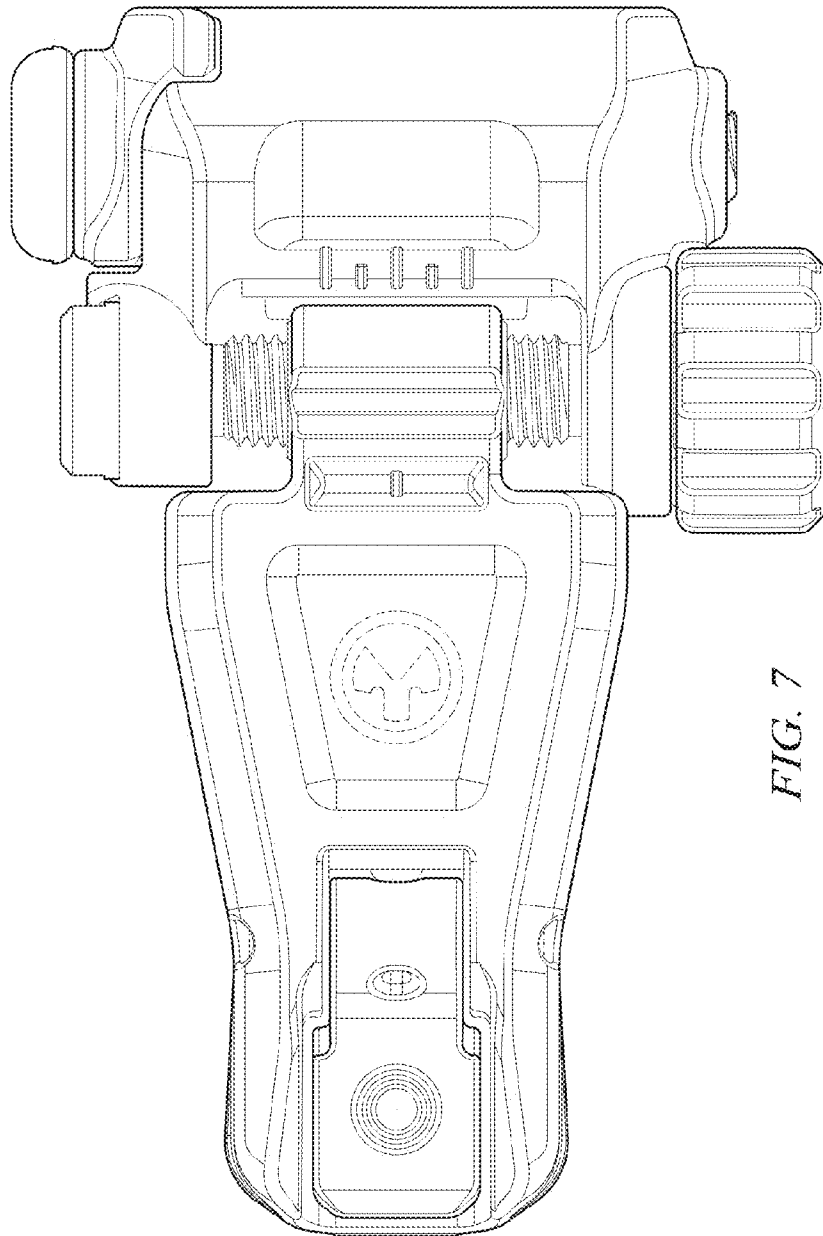


FIG. 7

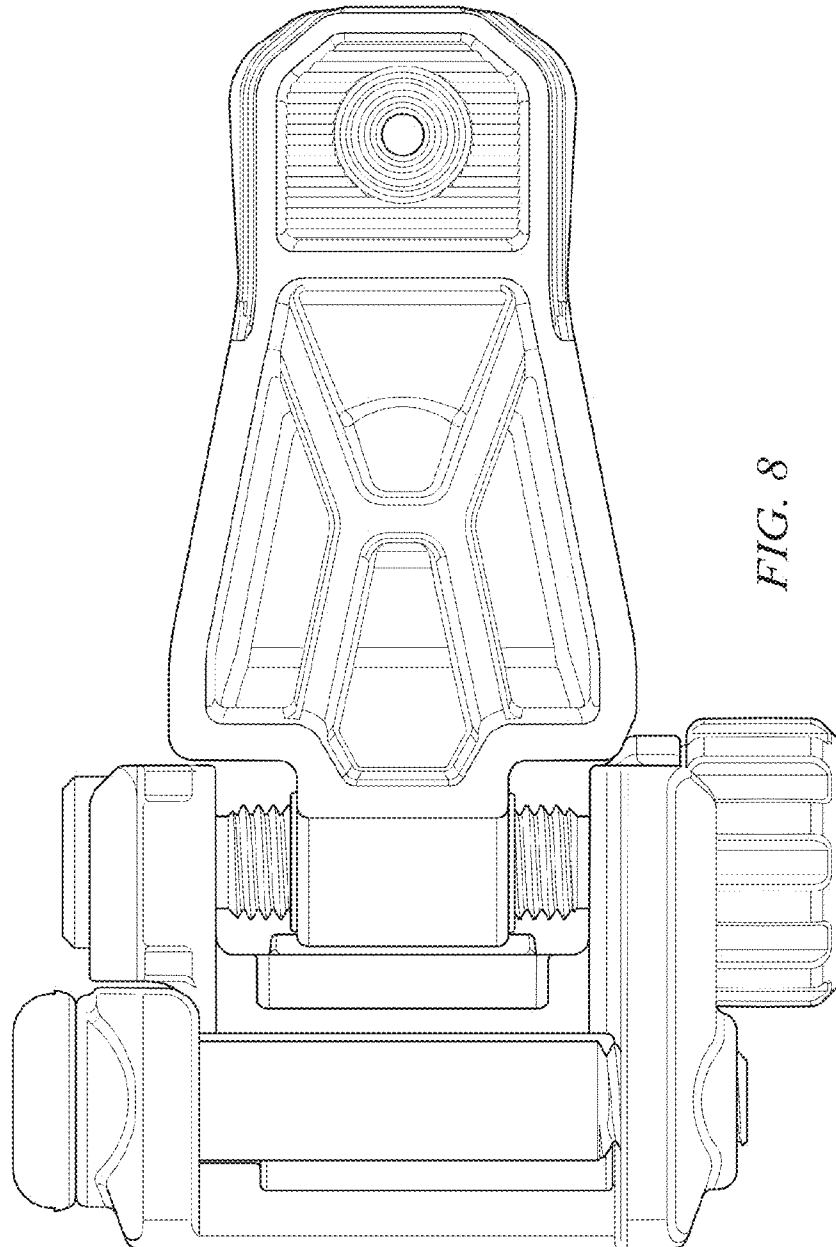


FIG. 8

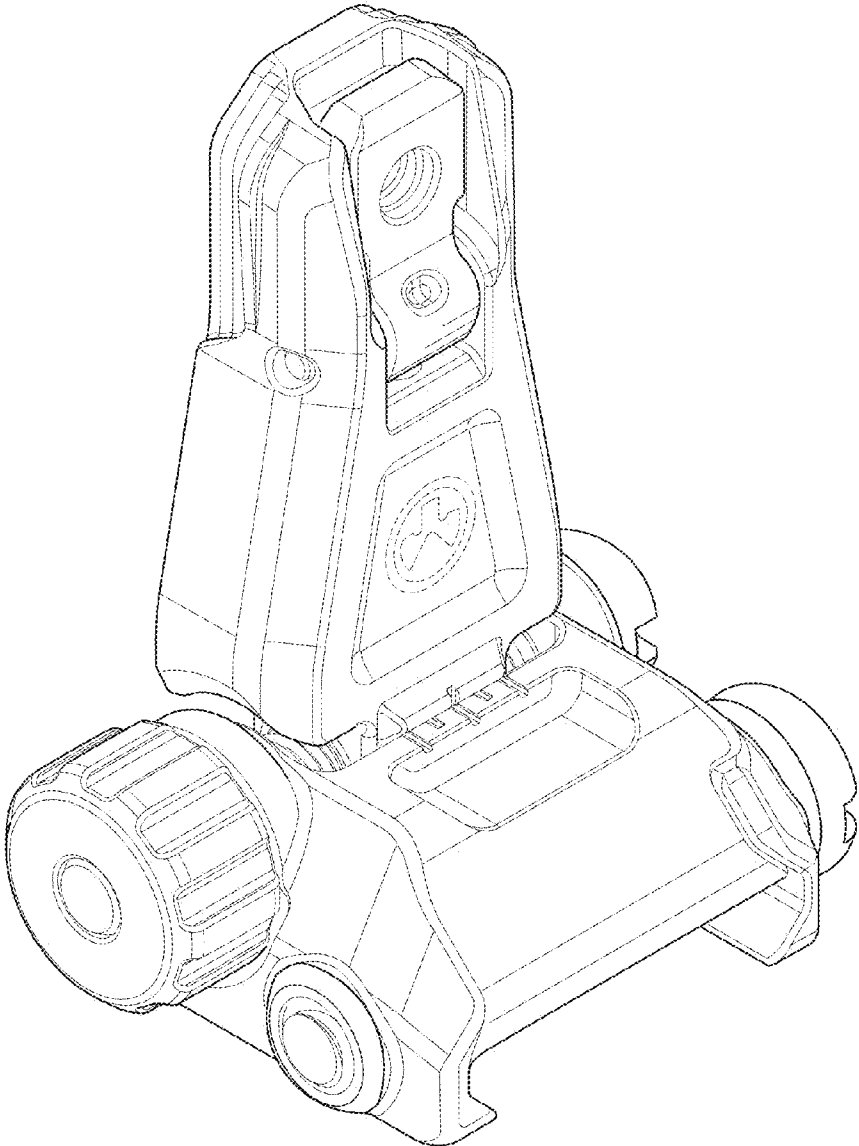


FIG. 9

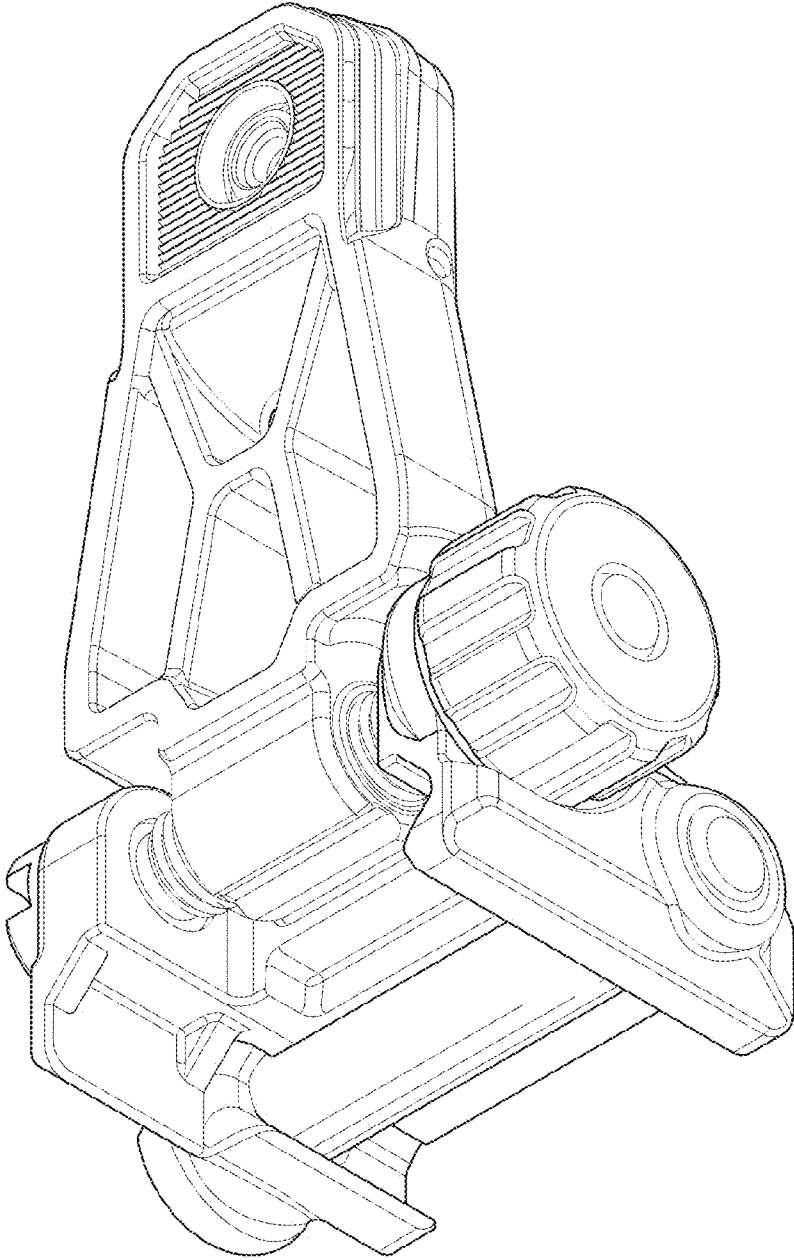


FIG. 10

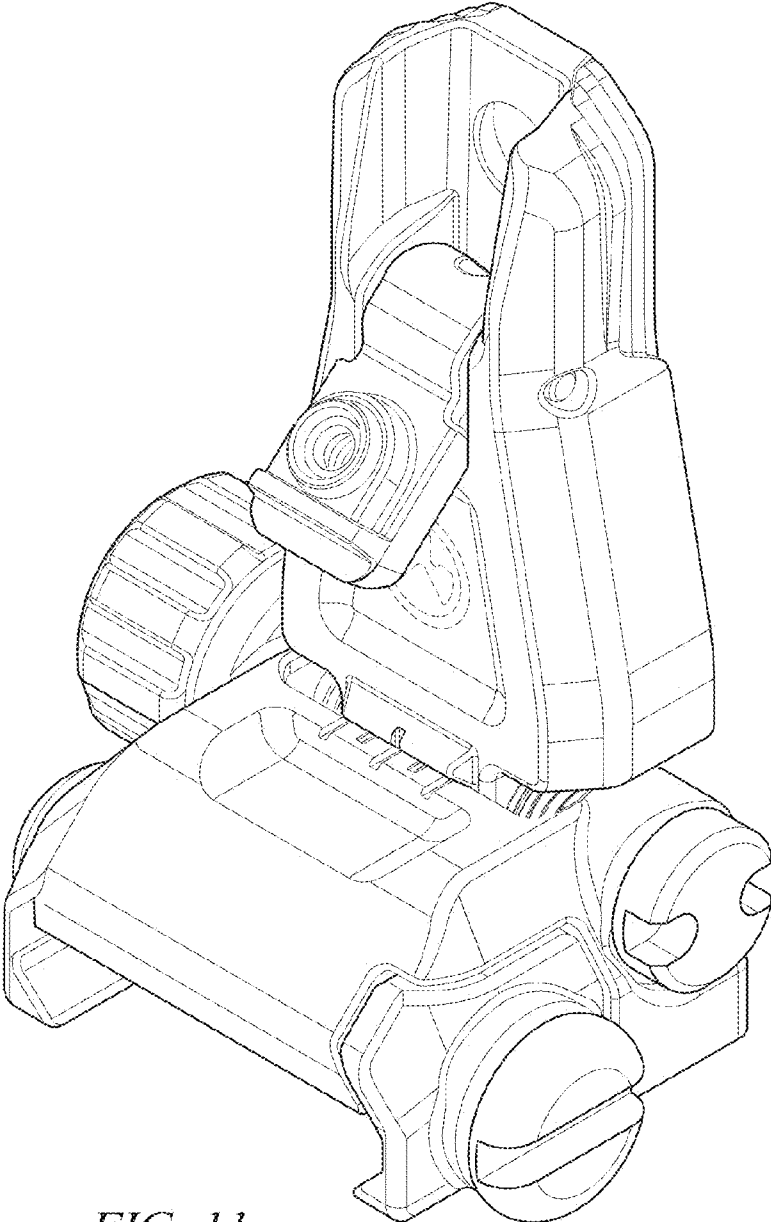


FIG. 11