

(19) World Intellectual Property Organization
International Bureau



(43) International Publication Date
21 February 2002 (21.02.2002)

PCT

(10) International Publication Number
WO 02/015162 A3

(51) International Patent Classification⁷: G09G 5/36,
G06F 3/14

(21) International Application Number: PCT/JP01/05967

(22) International Filing Date: 10 July 2001 (10.07.2001)

(25) Filing Language: English

(26) Publication Language: English

(30) Priority Data:
2000/47344 17 August 2000 (17.08.2000) KR
2000/47345 17 August 2000 (17.08.2000) KR
2000/59645 11 October 2000 (11.10.2000) KR
2001-52828 27 February 2001 (27.02.2001) JP

(71) Applicant (for all designated States except US): INNO-
TIVE CORPORATION [KR/KR]; 402-4 Yangjae-Dong,
Socho-ku, 137-132 Seoul (KR).

(71) Applicant (for JP only): FUJI TELEVISION NET-
WORK, INC. [JP/JP]; 4-8, Daiba 2-chome, Minato-ku,
Tokyo 137-8088 (JP).

(72) Inventors; and

(75) Inventors/Applicants (for US only): LE, Hao [CA/KR];

c/o INNOTIVE CORPORATION, 402-4 Yangjae-Dong,
Socho-ku, 137-132 Seoul (KR). MOON, Kwang Soon
[CA/KR]; c/o INNOTIVE CORPORATION, 402-4 Yang-
jae-Dong, Socho-ku, 137-132 Seoul (KR). OKAMURA,
Tomoyuki [JP/JP]; c/o FUJI TELEVISION NETWORK,
INC., 4-8, Daiba 2-chome, Minato-ku, Tokyo 137-8088
(JP).

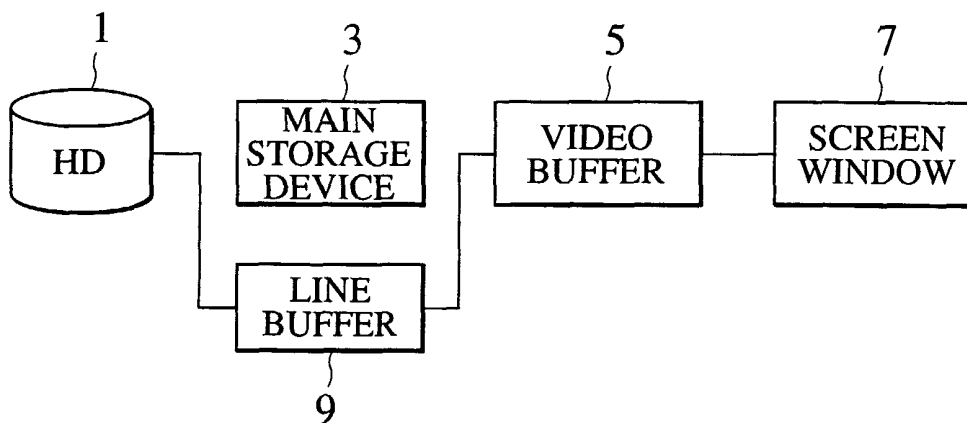
(74) Agents: MIYOSHI, Hidekazu et al.; 9th Floor, Tora-
nomon Daiichi Building, 2-3, Toranomom 1-chome, Mi-
nato-ku, Tokyo 105-0001 (JP).

(81) Designated States (national): AE, AG, AL, AM, AT, AU,
AZ, BA, BB, BG, BR, BY, BZ, CA, CH, CN, CO, CR, CU,
CZ, DE, DK, DM, DZ, EC, EE, ES, FI, GB, GD, GE, GH,
GM, HR, HU, ID, IL, IN, IS, JP, KE, KG, KP, KR, KZ, LC,
LK, LR, LS, LT, LU, LV, MA, MD, MG, MK, MN, MW,
MX, MZ, NO, NZ, PL, PT, RO, RU, SD, SE, SG, SI, SK,
SL, TJ, TM, TR, TT, TZ, UA, UG, US, UZ, VN, YU, ZA,
ZW.

(84) Designated States (regional): ARIPO patent (GH, GM,
KE, LS, MW, MZ, SD, SL, SZ, TZ, UG, ZW), Eurasian
patent (AM, AZ, BY, KG, KZ, MD, RU, TJ, TM), European
patent (AT, BE, CH, CY, DE, DK, ES, FI, FR, GB, GR, IE,
IT, LU, MC, NL, PT, SE, TR), OAPI patent (BF, BJ, CF,
CG, CI, CM, GA, GN, GW, ML, MR, NE, SN, TD, TG).

[Continued on next page]

(54) Title: SYSTEM AND METHOD FOR DISPLAYING LARGE IMAGES WITH REDUCED CAPACITY BUFFER, FILE
FORMAT CONVERSION, USER INTERFACE WITH ZOOMING AND PANNING, AND BROADCAST OF DIFFERENT IM-
AGES



(57) Abstract: The system for displaying huge images in accordance with the present invention comprises: a storage device (1) for storing image data which is divided in either one of the row direction and the column direction and contains at least two subdivided blocks; a first temporary storage device (9) for sequentially reading out data stored in the storage device (1), temporarily storing data as read and, when the data reaches a predetermined unit of data size, outputting all the data as input. And the present invention serves to improve the processing speed of huge images by bypassing the main storage device (3) during the processing operation of image data.

WO 02/015162 A3



Published:

— *with international search report*

For two-letter codes and other abbreviations, refer to the "Guidance Notes on Codes and Abbreviations" appearing at the beginning of each regular issue of the PCT Gazette.

(88) Date of publication of the international search report:

6 September 2002

INTERNATIONAL SEARCH REPORT

International Application No

PCT/JP 01/05967

A. CLASSIFICATION OF SUBJECT MATTER
 IPC 7 G09G5/36 G06F3/14

According to International Patent Classification (IPC) or to both national classification and IPC

B. FIELDS SEARCHED

Minimum documentation searched (classification system followed by classification symbols)
 IPC 7 G09G G06F

Documentation searched other than minimum documentation to the extent that such documents are included in the fields searched

Electronic data base consulted during the international search (name of data base and, where practical, search terms used)

EPO-Internal, WPI Data, PAJ

C. DOCUMENTS CONSIDERED TO BE RELEVANT

Category °	Citation of document, with indication, where appropriate, of the relevant passages	Relevant to claim No.
X	US 5 574 836 A (BROEMMELSIK RAYMOND M) 12 November 1996 (1996-11-12)	1,2, 10-14, 17-19, 27, 30-32, 34-36, 45-47
Y	see abstract column 6, line 8 -column 7, line 12; figures 1B,2A column 11, line 14 -column 12, line 18; figures 4,5 column 13, line 49 - line 56 column 16, line 34 - line 44; figure 6 column 17, line 18 - line 41 column 18, line 53 -column 19, line 25; figure 8 --- -/--	21,22, 28,29,48

Further documents are listed in the continuation of box C.

Patent family members are listed in annex.

° Special categories of cited documents :

- "A" document defining the general state of the art which is not considered to be of particular relevance
- "E" earlier document but published on or after the international filing date
- "L" document which may throw doubts on priority claim(s) or which is cited to establish the publication date of another citation or other special reason (as specified)
- "O" document referring to an oral disclosure, use, exhibition or other means
- "P" document published prior to the international filing date but later than the priority date claimed

- "T" later document published after the international filing date or priority date and not in conflict with the application but cited to understand the principle or theory underlying the invention
- "X" document of particular relevance; the claimed invention cannot be considered novel or cannot be considered to involve an inventive step when the document is taken alone
- "Y" document of particular relevance; the claimed invention cannot be considered to involve an inventive step when the document is combined with one or more other such documents, such combination being obvious to a person skilled in the art.
- "&" document member of the same patent family

Date of the actual completion of the international search

4 February 2002

Date of mailing of the international search report

10.06.2002

Name and mailing address of the ISA

European Patent Office, P.B. 5818 Patentlaan 2
 NL - 2280 HV Rijswijk
 Tel. (+31-70) 340-2040, Tx. 31 651 epo nl,
 Fax: (+31-70) 340-3016

Authorized officer

Corsi, F

INTERNATIONAL SEARCH REPORT

International Application No

PCT/JP 01/05967

C.(Continuation) DOCUMENTS CONSIDERED TO BE RELEVANT		
Category	Citation of document, with indication, where appropriate, of the relevant passages	Relevant to claim No.
X	EP 0 933 694 A (PFU LTD) 4 August 1999 (1999-08-04)	1,2,5-7, 10-15, 45-47
Y	see abstract paragraph [0001]	8,9,16
A	paragraphs [0005]-[0008],[0010],[0011] paragraphs [0014],[0015],[0020]-[0030]; figures 1-4 paragraphs [0036]-[0038],[0040]-[0045]; figures 5,9-11 paragraphs [0063],[0083]-[0094]; figures 17,20-22	23-26

X	US 6 023 266 A (BINDLISH RAKESH KUMAR ET AL) 8 February 2000 (2000-02-08)	1-4, 10-14
Y	see abstract column 2, line 66 -column 3, line 33; figures 2A-2C	21,22, 28,29,48
A	column 4, line 3 - line 17 column 7, line 5 - line 50; figure 3 column 8, line 14 - line 20; figure 6 column 9, line 10 - line 22	26

Y	EP 0 881 563 A (SONY CORP) 2 December 1998 (1998-12-02) see abstract column 1, line 5 - line 35 column 2, line 5 - line 10 column 3, line 6 - line 18 column 4, line 21 -column 6, line 33; figures 1-3	8,9,16

X	WO 00 00893 A (KONINKL PHILIPS ELECTRONICS NV ;PHILIPS SVENSKA AB (SE)) 6 January 2000 (2000-01-06) see abstract page 3, line 7 -page 4, line 33; claims 2,3; figures 1,2	1,11

A	PATENT ABSTRACTS OF JAPAN vol. 1999, no. 12, 29 October 1999 (1999-10-29) -& JP 11 203308 A (NTT COMMUNICATION WARE KK), 30 July 1999 (1999-07-30) abstract	1-19, 21-32, 34-36, 45-49

A	GB 2 287 627 A (VTECH ELECTRONICS LTD) 20 September 1995 (1995-09-20) see abstract page 10, line 21 -page 11, line 18; figures 4,5 page 12, line 8 - line 19; figure 16	48

	-/--	

INTERNATIONAL SEARCH REPORT

International Application No

PCT/JP 01/05967

C.(Continuation) DOCUMENTS CONSIDERED TO BE RELEVANT		
Category °	Citation of document, with indication, where appropriate, of the relevant passages	Relevant to claim No.
A	<p>WO 97 39437 A (INTERGRAPH CORP) 23 October 1997 (1997-10-23)</p> <p>see abstract page 1, line 26 -page 3, line 11 page 4, line 23 -page 7, line 24; figure 1 page 9, line 6 -page 10, line 7 page 16, line 10 - line 17 -----</p>	<p>1-19, 21-32, 34-36, 45-49</p>

INTERNATIONAL SEARCH REPORT

International application No.
PCT/JP 01/05967

Box I Observations where certain claims were found unsearchable (Continuation of item 1 of first sheet)

This International Search Report has not been established in respect of certain claims under Article 17(2)(a) for the following reasons:

1. Claims Nos.:
because they relate to subject matter not required to be searched by this Authority, namely:

2. Claims Nos.:
because they relate to parts of the International Application that do not comply with the prescribed requirements to such an extent that no meaningful International Search can be carried out, specifically:

3. Claims Nos.:
because they are dependent claims and are not drafted in accordance with the second and third sentences of Rule 6.4(a).

Box II Observations where unity of invention is lacking (Continuation of item 2 of first sheet)

This International Searching Authority found multiple inventions in this international application, as follows:

see additional sheet

1. As all required additional search fees were timely paid by the applicant, this International Search Report covers all searchable claims.
2. As all searchable claims could be searched without effort justifying an additional fee, this Authority did not invite payment of any additional fee.
3. As only some of the required additional search fees were timely paid by the applicant, this International Search Report covers only those claims for which fees were paid, specifically claims Nos.:
4. No required additional search fees were timely paid by the applicant. Consequently, this International Search Report is restricted to the invention first mentioned in the claims; it is covered by claims Nos.:

1-19, 21-32, 34-36, 45-49

Remark on Protest

- The additional search fees were accompanied by the applicant's protest.
- No protest accompanied the payment of additional search fees.

FURTHER INFORMATION CONTINUED FROM PCT/ISA/ 210

This International Searching Authority found multiple (groups of) inventions in this international application, as follows:

1. Claims: 1-19, 21-32, 34-36, 45-49

Display of integrated images divided in blocks using first and second temporary storing means

2. Claims: 20, 33, 50-84, 93

Display of integrated images with conversion of data files into a format suitable for display

3. Claims: 37-44

System for broadcasting an integrated image

4. Claims: 85-92

Transmission of image data across a network under request from a user

INTERNATIONAL SEARCH REPORT
Information on patent family members

International Application No
PCT/JP 01/05967

Patent document cited in search report		Publication date	Patent family member(s)	Publication date
US 5574836	A	12-11-1996	NONE	
EP 0933694	A	04-08-1999	JP 11088866 A EP 0933694 A1 WO 9904331 A1	30-03-1999 04-08-1999 28-01-1999
US 6023266	A	08-02-2000	US 5642139 A EP 0758512 A1 JP 9507629 T WO 9530308 A1	24-06-1997 19-02-1997 29-07-1997 09-11-1995
EP 0881563	A	02-12-1998	JP 10333552 A CN 1201936 A EP 0881563 A2 TW 432323 B US 6285347 B1	18-12-1998 16-12-1998 02-12-1998 01-05-2001 04-09-2001
WO 0000893	A	06-01-2000	EP 1046110 A2 WO 0000893 A2	25-10-2000 06-01-2000
JP 11203308	A	30-07-1999	NONE	
GB 2287627	A	20-09-1995	US 5748174 A	05-05-1998
WO 9739437	A	23-10-1997	EP 0892972 A1 WO 9739437 A1 US 5864512 A	27-01-1999 23-10-1997 26-01-1999