



US00D563147S

(12) **United States Design Patent**
Henry

(10) **Patent No.:** **US D563,147 S**

(45) **Date of Patent:** **** Mar. 4, 2008**

(54) **TENNIS BALL THEMED BARBECUE GRILL**

(75) Inventor: **Lowell M. Henry**, Redondo Beach, CA (US)

(73) Assignee: **AJML Company, LLC**, Redondo Beach, CA (US)

(**) Term: **14 Years**

(21) Appl. No.: **29/261,354**

(22) Filed: **Jun. 13, 2006**

(51) **LOC (8) Cl.** **07-02**

(52) **U.S. Cl.** **D7/334**

(58) **Field of Classification Search** D7/332,
D7/334-337, 402-404; D21/707, 713-714;
473/598; 446/153; 126/25 R, 25 A, 25 AA,
126/37 R, 38, 41 R, 40, 39 B, 268, 276,
126/9 R; 99/449, 481, 482

See application file for complete search history.

(56) **References Cited**

U.S. PATENT DOCUMENTS

- D418,004 S * 12/1999 Taylor, Jr. D7/332
- D431,155 S * 9/2000 Cragg D7/402
- D432,862 S * 10/2000 Cragg D7/402
- D446,267 S * 8/2001 Feeney et al. D21/713
- D466,360 S * 12/2002 Favela D7/334

- D483,424 S * 12/2003 Lowinger D21/713
- D497,078 S * 10/2004 Ethridge D7/402
- D510,969 S * 10/2005 Miller D21/713
- D511,191 S * 11/2005 Fryer D21/713
- D517,137 S * 3/2006 Kuhne et al. D21/713
- D540,408 S * 4/2007 Laliberty et al. D21/713
- D543,250 S * 5/2007 Laliberty et al. D21/713

* cited by examiner

Primary Examiner—Ruth McInroy

(74) *Attorney, Agent, or Firm*—Gallagher & Dawsey Co. LPA; David J. Dawsey; Michael J. Gallagher

(57) **CLAIM**

I claim the ornamental design for a tennis ball themed barbecue grill, as shown and described.

DESCRIPTION

FIG. 1 is a left side isometric view of a tennis ball themed barbecue grill showing my new design;

FIG. 2 is a front elevation view thereof;

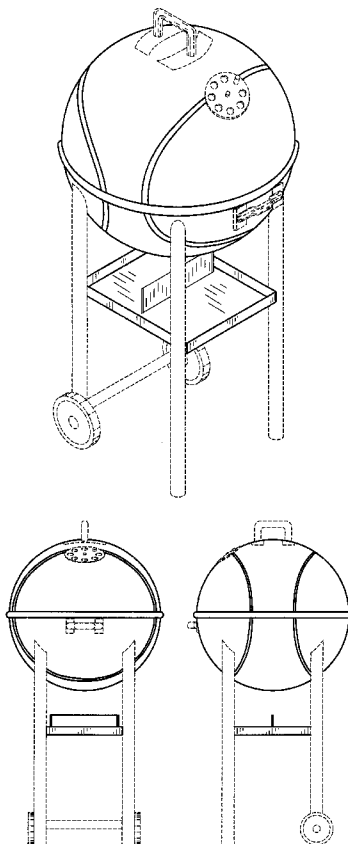
FIG. 3 is a right side elevation view thereof;

FIG. 4 is a top plan view thereof; and,

FIG. 5 is a bottom plan view thereof.

The broken lines are for illustrative purposes only and form no part of the claimed design.

1 Claim, 3 Drawing Sheets



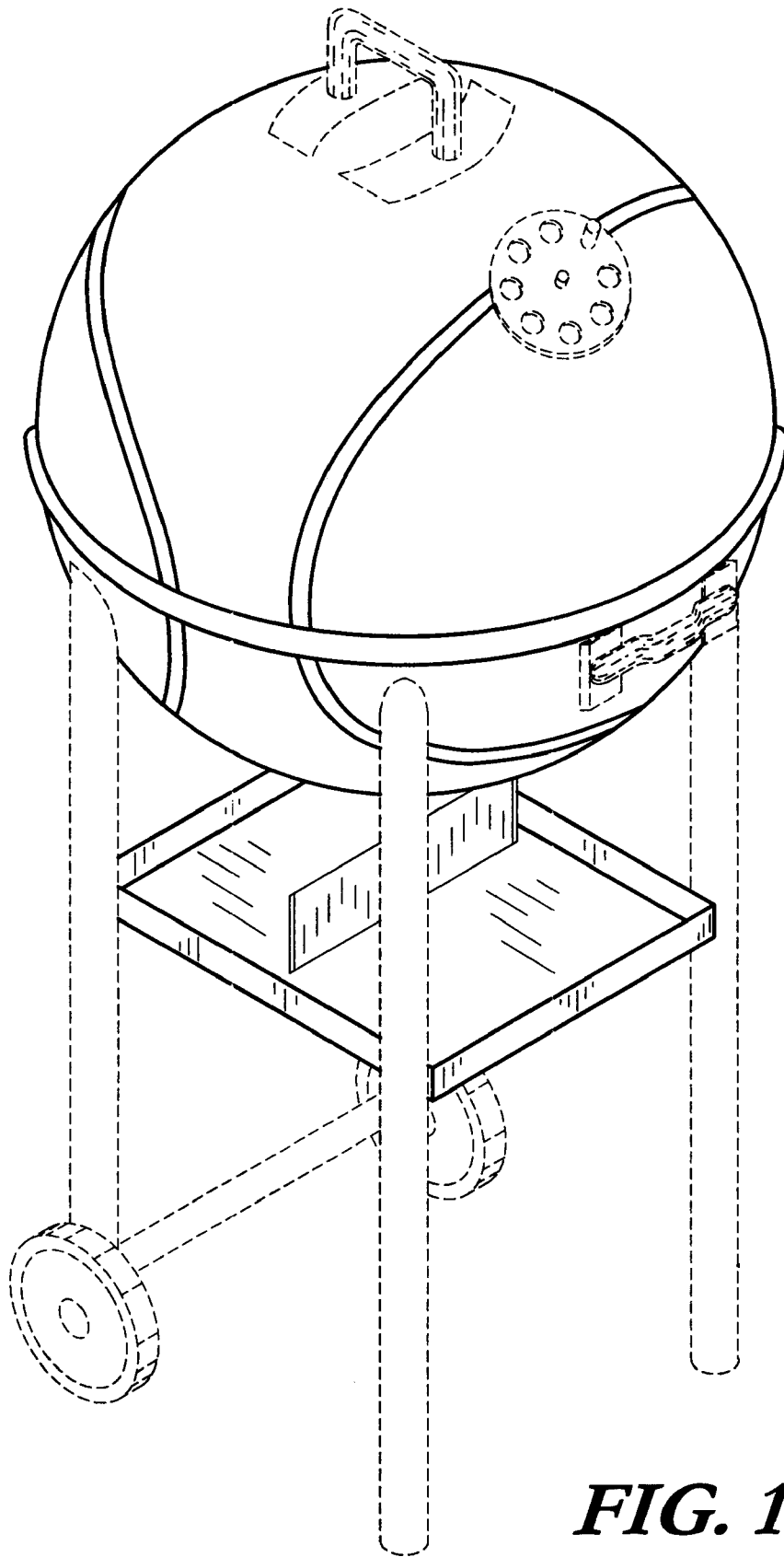


FIG. 1

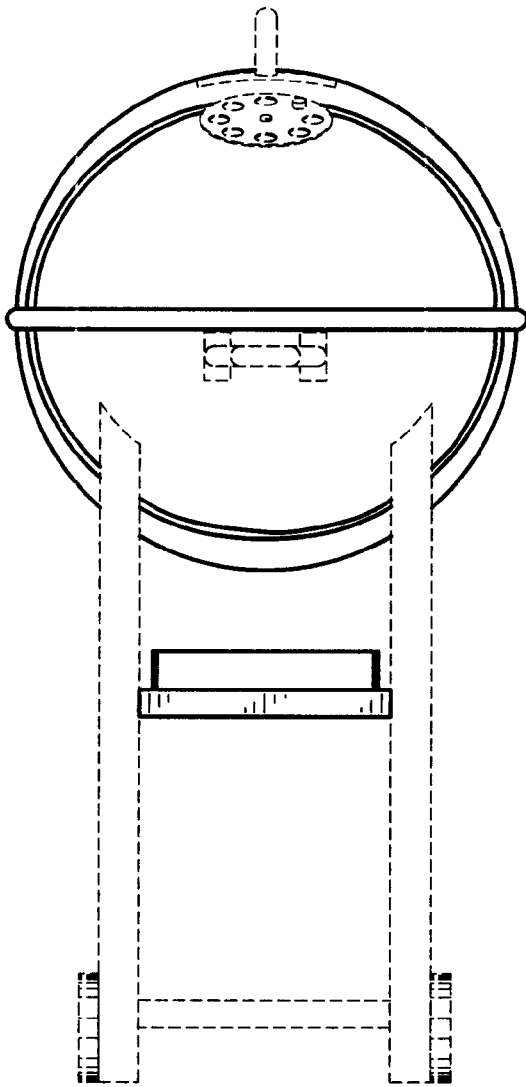


FIG. 2

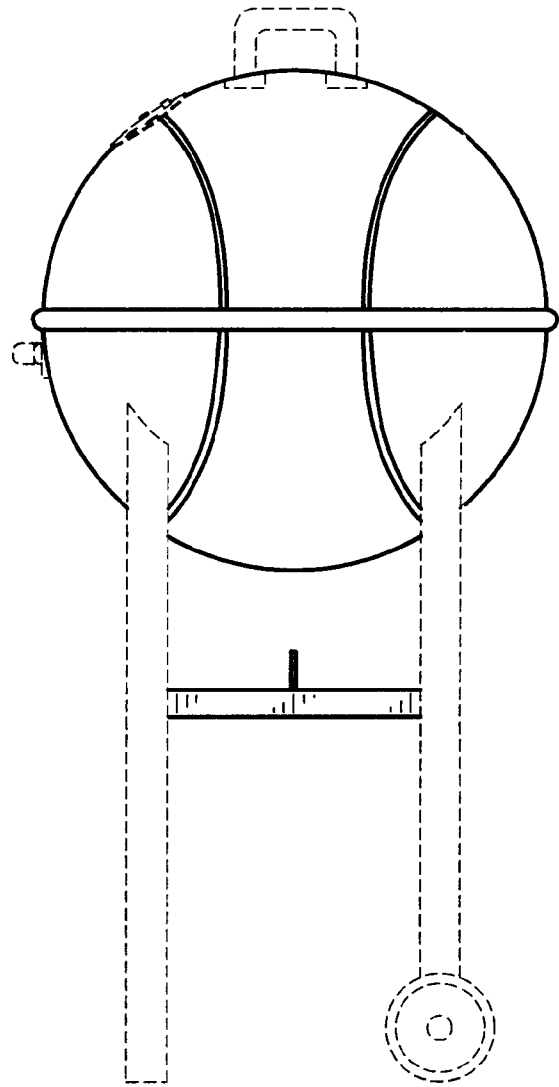


FIG. 3

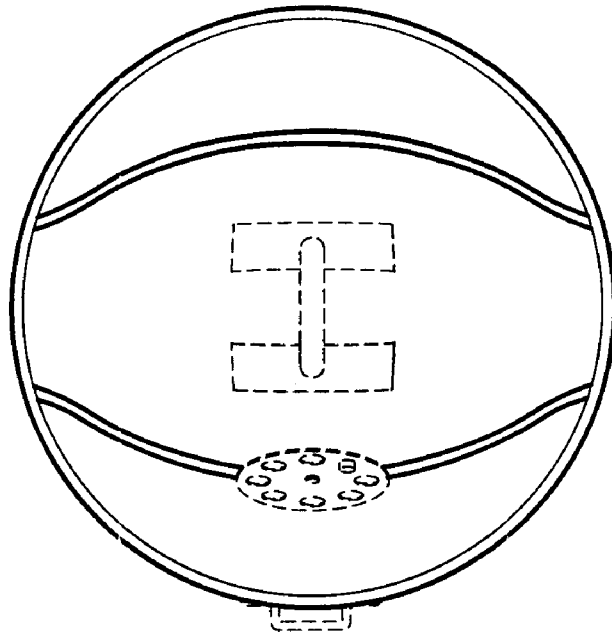


FIG. 4

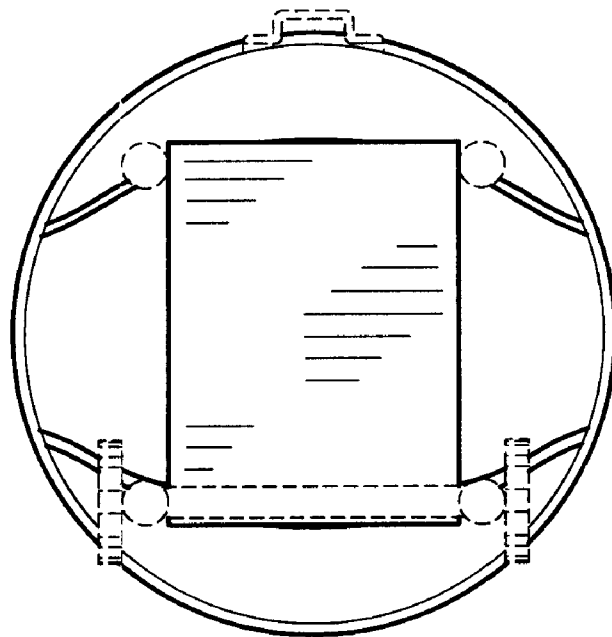


FIG. 5