



US00D354536S

# United States Patent [19] Hazelton

[11] Patent Number: Des. 354,536  
[45] Date of Patent: \*\* Jan. 17, 1995

[54] **GOLF PUTTER**

[76] Inventor: **Bruce A. Hazelton**, 1111 Rosedale Ave., Fort Pierce, Fla. 34982

[\*\*] Term: **14 Years**

[21] Appl. No.: **9,556**

[22] Filed: **Jun. 18, 1993**

[52] U.S. Cl. .... **D21/219**

[58] Field of Search ..... **D21/214-220;**  
**273/163 R, 164.1, 167-175**

[56] **References Cited**

**U.S. PATENT DOCUMENTS**

D. 233,535	11/1974	Karban .	
D. 239,637	4/1976	Loggins .....	D21/217
D. 245,439	8/1977	Thiel .	
D. 271,604	11/1983	Stone et al. ....	D21/217
D. 336,321	6/1993	Gerritzeu .....	D21/219
1,327,171	1/1920	Ruggles .	
3,273,891	9/1966	Grim, Jr. .	
3,810,633	5/1974	Scott, III .	
4,413,824	11/1983	King et al. .	
5,052,690	10/1991	Sharp .	
5,071,129	12/1991	Wilson .....	273/163 R

**FOREIGN PATENT DOCUMENTS**

632841 12/1961 Canada .

*Primary Examiner*—Melvin B. Feifer  
*Attorney, Agent, or Firm*—Richard C. Litman

[57] **CLAIM**

The ornamental design for a golf putter, as shown and described.

**DESCRIPTION**

FIG. 1 is a front elevational view of a first embodiment of a golf putter showing my new design; FIG. 2 is a rear elevational view thereof; FIG. 3 is a left side elevational view thereof; FIG. 4 is a right side elevational view thereof; FIG. 5 is a top view thereof common to the first and a second embodiment; FIG. 6 is a front elevational view of the second embodiment thereof; FIG. 7 is a rear elevational view thereof; FIG. 8 is a left side elevational view thereof; and, FIG. 9 is a right side elevational view thereof. The bottom is flat and unornamented. The shaft is shown fragmented for ease of illustration.

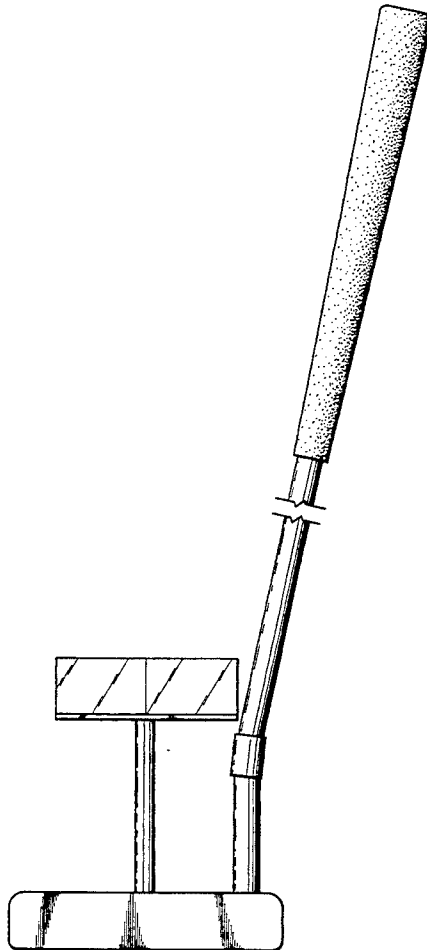
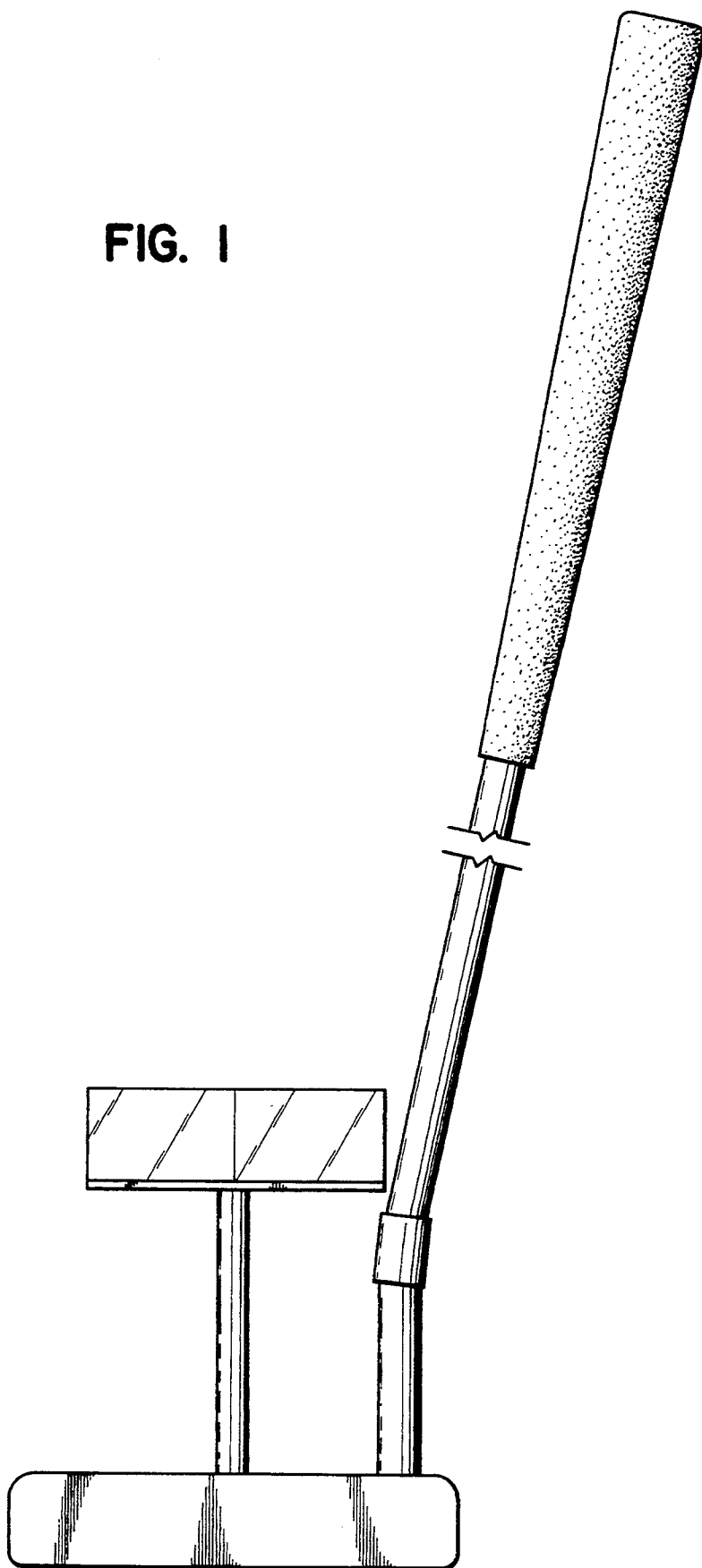


FIG. 1



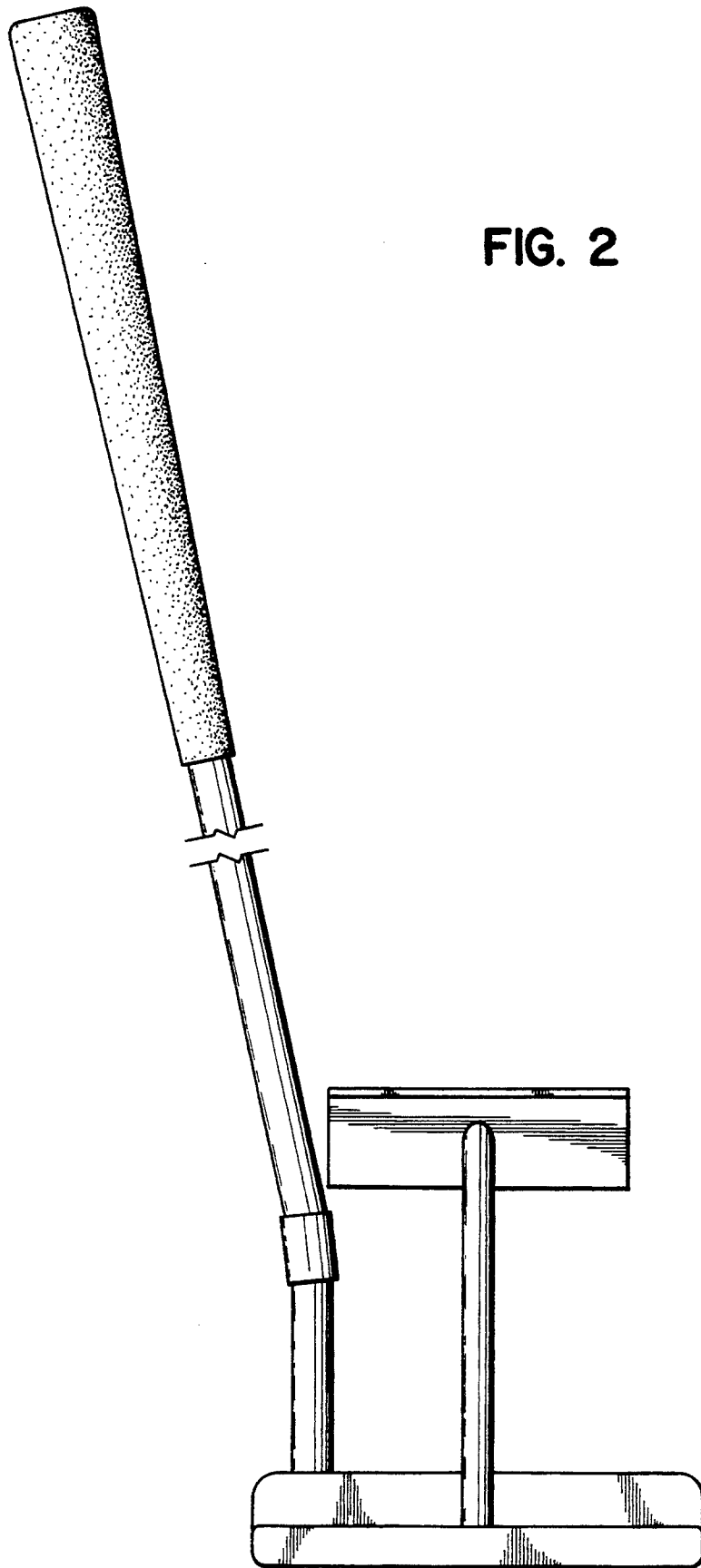


FIG. 2

FIG. 3

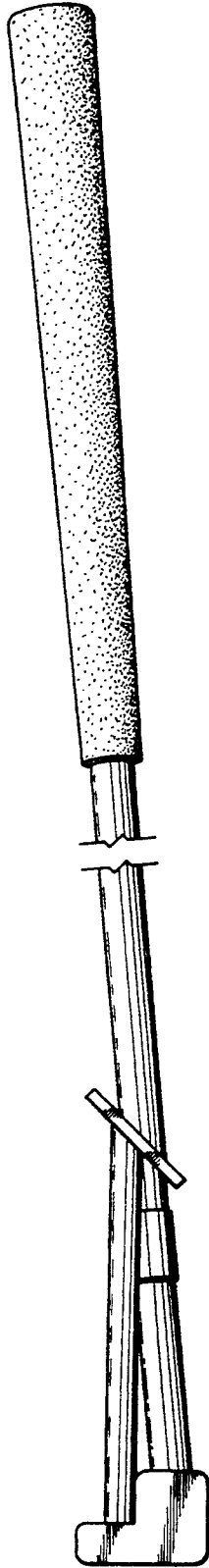


FIG. 4

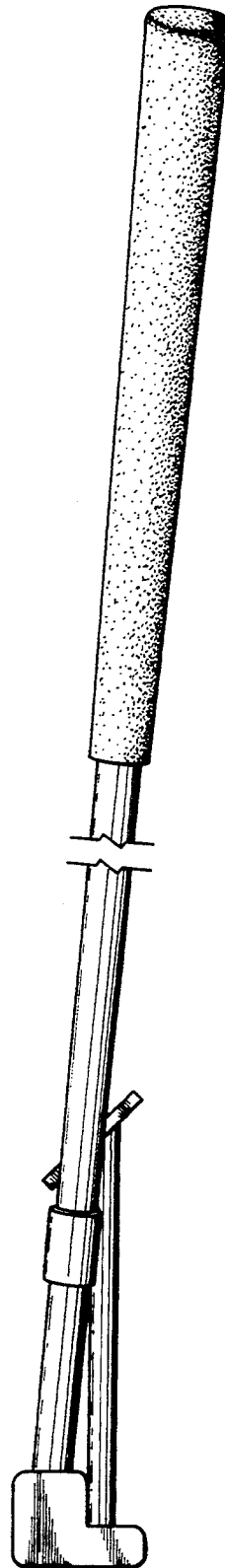


FIG. 5

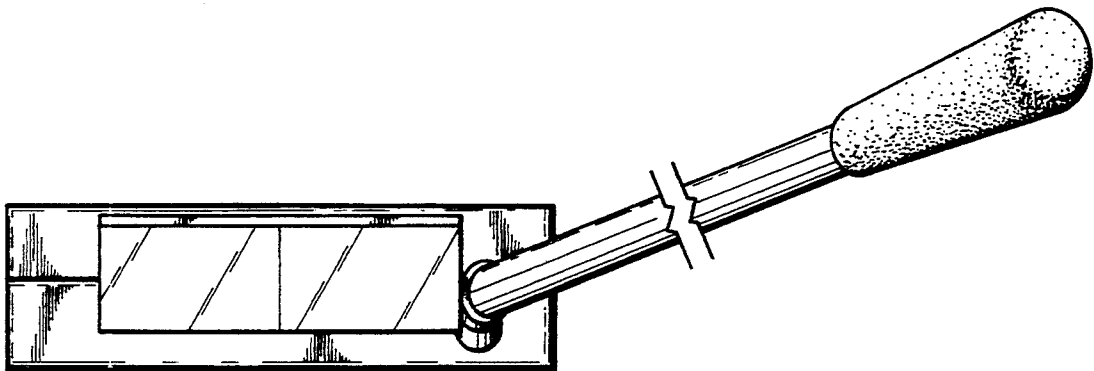
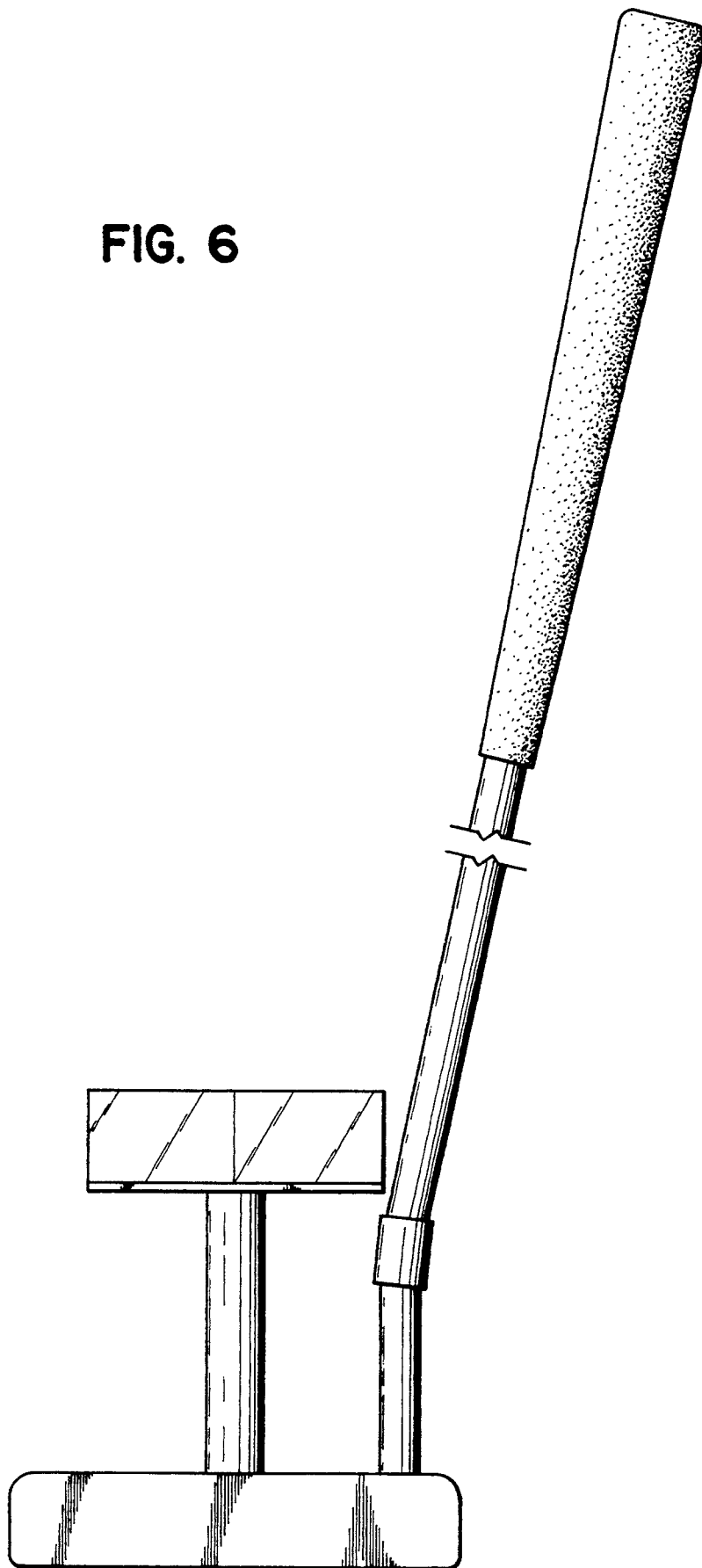


FIG. 6



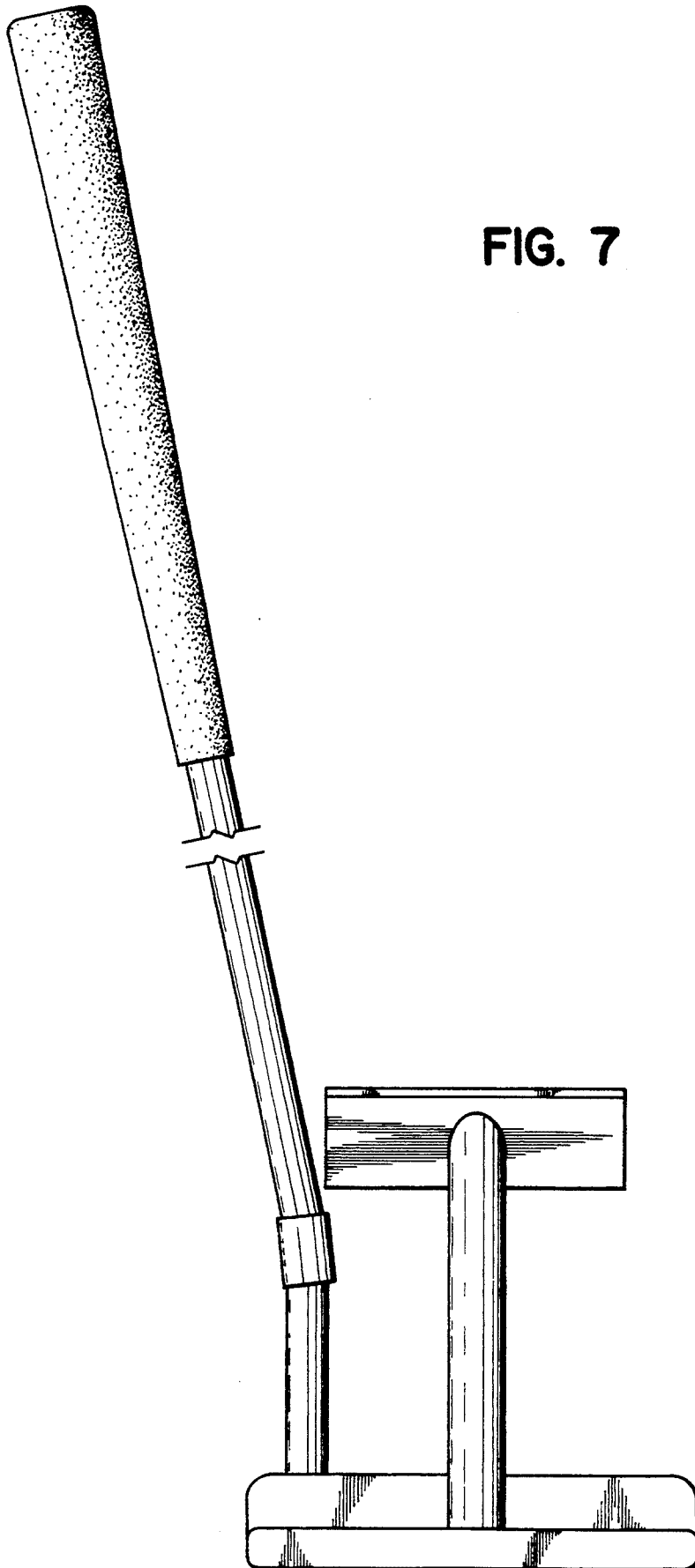


FIG. 7

FIG. 8

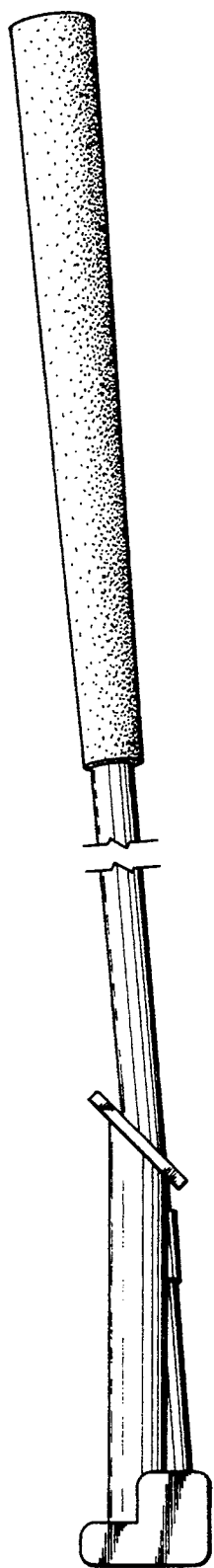


FIG. 9

