

(19) World Intellectual Property Organization
International Bureau



(43) International Publication Date
16 February 2006 (16.02.2006)

PCT

(10) International Publication Number
WO 2006/017397 A2

(51) International Patent Classification:

A61F 2/44 (2006.01) A61B 17/88 (2006.01)
A61F 2/46 (2006.01) A61B 17/28 (2006.01)

(21) International Application Number:

PCT/US2005/027049

(22) International Filing Date: 29 July 2005 (29.07.2005)

(25) Filing Language: English

(26) Publication Language: English

(30) Priority Data:

10/913,780 6 August 2004 (06.08.2004) US

(71) Applicant (for all designated States except US): SPINAL-MOTION, INC. [US/US]; Suite 115, 201 San Antonio Circle, Mountain View, CA 94040 (US).

(72) Inventors; and

(75) Inventors/Applicants (for US only): DE VILLIERS, Malan [ZA/ZA]; Southern Implants Office Park, Building 10, 1 Albert Road, 0062 Irene, Gauteng (ZA). HÄHNLE,

Ulrich [DE/ZA]; 6 Northwold road, 2196 Saxonwold, Johannesburg (ZA). HOVDA, David [US/US]; 1900 Miramonte Avenue, Mountain View, CA 94040 (US).

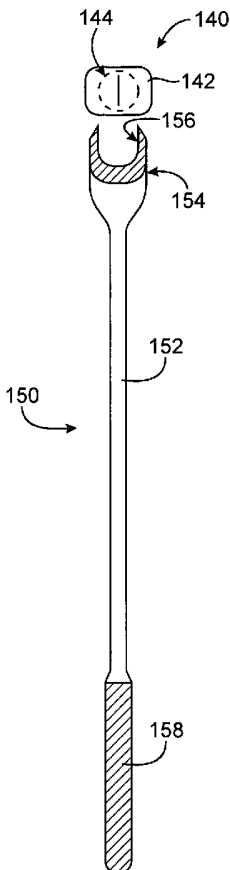
(74) Agents: HESLIN, James, M. et al.; Townsend and Townsend and Crew LLP, Two Embarcadero Center, 8th Floor, San Francisco, CA 94111-3834 (US).

(81) Designated States (unless otherwise indicated, for every kind of national protection available): AE, AG, AL, AM, AT, AU, AZ, BA, BB, BG, BR, BW, BY, BZ, CA, CH, CN, CO, CR, CU, CZ, DE, DK, DM, DZ, EC, EE, EG, ES, FI, GB, GD, GE, GH, GM, HR, HU, ID, IL, IN, IS, JP, KE, KG, KM, KP, KR, KZ, LC, LK, LR, LS, LT, LU, LV, MA, MD, MG, MK, MN, MW, MX, MZ, NA, NG, NI, NO, NZ, OM, PG, PH, PL, PT, RO, RU, SC, SD, SE, SG, SK, SL, SM, SY, TJ, TM, TN, TR, TT, TZ, UA, UG, US, UZ, VC, VN, YU, ZA, ZM, ZW.

(84) Designated States (unless otherwise indicated, for every kind of regional protection available): ARIPO (BW, GH, GM, KE, LS, MW, MZ, NA, SD, SL, SZ, TZ, UG, ZM, ZW), Eurasian (AM, AZ, BY, KG, KZ, MD, RU, TJ, TM), European (AT, BE, BG, CH, CY, CZ, DE, DK, EE, ES, FI,

[Continued on next page]

(54) Title: METHODS AND APPARATUS FOR INTERVERTEBRAL DISC PROSTHESIS INSERTION



(57) Abstract: A method for inserting an intervertebral disc prosthesis into a space between two vertebrae involves inserting the prosthesis partway into the space under constraint to prevent end-plates of the prosthesis from articulating, releasing the prosthesis from constraint, and inserting the unconstrained prosthesis farther into the space. In some embodiments, the method involves grasping the prosthesis with a grasping device to insert the prosthesis partway under constraint, loosening the grasping device to release the prosthesis from constraint, and pushing the prosthesis farther into the disc space using the grasping device and/or one or more separate pusher devices. A system includes a grasping device, at least one separate pushing device, and optionally a vertebral spreading device and/or a vertebral midline indicator device.

WO 2006/017397 A2



FR, GB, GR, HU, IE, IS, IT, LT, LU, LV, MC, NL, PL, PT, RO, SE, SI, SK, TR), OAPI (BF, BJ, CF, CG, CI, CM, GA, GN, GQ, GW, ML, MR, NE, SN, TD, TG).

Declaration under Rule 4.17:

- as to applicant's entitlement to apply for and be granted a patent (Rule 4.17(ii)) for the following designations AE, AG, AL, AM, AT, AU, AZ, BA, BB, BG, BR, BW, BY, BZ, CA, CH, CN, CO, CR, CU, CZ, DE, DK, DM, DZ, EC, EE, EG, ES, FI, GB, GD, GE, GH, GM, HR, HU, ID, IL, IN, IS, JP, KE, KG, KM, KP, KR, KZ, LC, LK, LR, LS, LT, LU, LV, MA, MD, MG, MK, MN, MW, MX, MZ, NA, NG, NI, NO, NZ, OM, PG, PH, PL, PT, RO, RU, SC, SD, SE, SG, SK, SL, SM, SY, TJ, TM, TN, TR, TT, TZ, UA, UG, UZ, VC, VN, YU, ZA, ZM, ZW, ARIPO patent (BW, GH, GM, KE,

LS, MW, MZ, NA, SD, SL, SZ, TZ, UG, ZM, ZW), Eurasian patent (AM, AZ, BY, KG, KZ, MD, RU, TJ, TM), European patent (AT, BE, BG, CH, CY, CZ, DE, DK, EE, ES, FI, FR, GB, GR, HU, IE, IS, IT, LT, LU, LV, MC, NL, PL, PT, RO, SE, SI, SK, TR), OAPI patent (BF, BJ, CF, CG, CI, CM, GA, GN, GQ, GW, ML, MR, NE, SN, TD, TG)

Published:

- without international search report and to be republished upon receipt of that report

For two-letter codes and other abbreviations, refer to the "Guidance Notes on Codes and Abbreviations" appearing at the beginning of each regular issue of the PCT Gazette.

METHODS AND APPARATUS FOR INTERVERTEBRAL DISC PROSTHESIS INSERTION

BACKGROUND OF THE INVENTION

5 [0001] 1. Field of the Invention

[0002] This invention relates to medical devices and methods. More specifically, the invention relates to intervertebral disc prostheses.

[0003] Back pain takes an enormous toll on the health and productivity of people around the world. According to the American Academy of Orthopedic Surgeons, approximately 80
10 percent of Americans will experience back pain at some time in their life. In just the year 2000, approximately 26 million visits were made to physicians' offices due to back problems in the United States. On any one day, it is estimated that 5% of the working population in America is disabled by back pain.

[0004] One common cause of back pain is injury, degeneration and/or dysfunction of one
15 or more intervertebral discs. Intervertebral discs are the soft tissue structures located between each of the thirty-three vertebral bones that make up the vertebral (spinal) column. Essentially, the discs allow the vertebrae to move relative to one another. The vertebral column and discs are vital anatomical structures, in that they form a central axis that supports the head and torso, allow for movement of the back, and protect the spinal cord, which passes
20 through the vertebrae in proximity to the discs.

[0005] Discs often become damaged due to wear and tear or acute injury. For example, discs may bulge (herniate), tear, rupture, degenerate or the like. A bulging disc may press against the spinal cord or a nerve exiting the spinal cord, causing "radicular" pain (pain in one
25 or more extremities caused by impingement of a nerve root). Degeneration or other damage to a disc may cause a loss of "disc height," meaning that the natural space between two vertebrae decreases. Decreased disc height may cause a disc to bulge, facet loads to increase, two vertebrae to rub together in an unnatural way and/or increased pressure on certain parts of the vertebrae and/or nerve roots, thus causing pain. In general, chronic and acute damage to intervertebral discs is a common source of back related pain and loss of mobility.

[0006] When one or more damaged intervertebral discs cause a patient pain and discomfort, surgery is often required. Traditionally, surgical procedures for treating intervertebral discs have involved discectomy (partial or total removal of a disc), with or without fusion of the two vertebrae adjacent to the disc. Fusion of the two vertebrae is achieved by inserting bone graft material between the two vertebrae such that the two vertebrae and the graft material grow together. Oftentimes, pins, rods, screws, cages and/or the like are inserted between the vertebrae to act as support structures to hold the vertebrae and graft material in place while they permanently fuse together. Although fusion often treats the back pain, it reduces the patient's ability to move, because the back cannot bend or twist at the fused area. In addition, fusion increases stresses at adjacent levels of the spine, potentially accelerating degeneration of these discs.

[0007] In an attempt to treat disc related pain without fusion, an alternative approach has been developed, in which a movable, implantable, artificial intervertebral disc (or "disc prosthesis") is inserted between two vertebrae. A number of different intervertebral disc prostheses are currently being developed. For example, the inventors of the present invention have developed disc prostheses described in U.S. Patent Application Serial Nos. 10/855,817 and 10/855,253, previously incorporated by reference. Other examples of intervertebral disc prostheses are the LINK® SB Charité disc (provided by DePuy Spine, Inc.) Mobidisk® (provided by LDR Medical (www.ldrmedical.fr)), the Bryan Cervical Disc (provided by Medtronic Sofamor Danek, Inc.), the ProDisc® or ProDisc-C® (from Synthes Stratec, Inc.), and the PCM disc (provided by Cervitech, Inc.).

[0008] To insert an artificial intervertebral disc prosthesis, and indeed for performing most disc-related surgeries, it is typically necessary to gain access to the disc and the intervertebral space from an anterior to posterior direction (i.e., through the front of the patient), to avoid coming in contact with the spinal cord. Thus, surgical procedures on a disc are typically approached anteriorly through the neck or abdomen, depending on which disc (or discs) is being repaired. Methods for inserting a disc prosthesis generally involve removing the damaged disc, preparing the surfaces of the two vertebral bones to receive the prosthesis, spreading the two vertebrae apart using one or more spreading devices, and inserting the prosthesis into the space between the two vertebrae. Examples of such methods are described in U.S. Patent Nos. 6,478,800, 6,235,030, 6,652,533, 6,689,132, 6,261,296 and 6,666,866, and in U.S. Patent Application Nos. 2001/0031969, 2001/0029377, 2003/0153916, 2002/0198532, 2004/0024407, 2003/0216737, 2003/0204261, 2003/0135220 and

2003/0014114. Due to the invasive nature of such procedures, one important goal is to reduce invasiveness, thus causing as little trauma to tissues surrounding the surgical site as possible.

[0009] The main drawback of currently available methods for inserting intervertebral disc prostheses is that they require a larger amount of spreading apart (or "distraction") of the two vertebrae than is optimal. Over-distraction is necessary when using such methods because it is important to insert the disc prosthesis all the way into the disc space, to position the center of rotation of the prosthesis closer to the posterior portion of the vertebrae than to the anterior portion. This allows the vertebrae to move as they were intended and avoids placing undue strain on the facet joints of the vertebrae or on other structures. To push a prosthesis toward the back of a disc space, however, it is typically necessary to spread the two vertebrae apart widely, since the anterior portion of the disc space is usually wider (or higher) than the posterior portion. In some methods, an artificial disc is placed by placing a first endplate into the space, placing a second endplate into the space, and then spreading the vertebrae wide enough to wedge a core in between the two endplates. In other methods, the vertebrae are spread apart as far as practicable, the whole prosthesis is inserted while one or more spreading devices are in place, and not until the prosthesis is completely inserted is the spreading device removed. In either case, as well as in other currently available methods, the two vertebrae adjacent the prosthesis are typically spread farther apart than would be desirable for a longer amount of time than would be desirable. In some cases, the posterior longitudinal ligament (PLL) is released, or "cut," to enable sufficient distraction for disc placement.

[0010] Distracting vertebrae can damage muscles, ligaments, nerves and/or other tissues in and around the vertebral column. Such damage may actually cause the patient to experience as much, or even more, pain after surgery than was caused by the original disc problem.

[0011] Therefore, as the use of intervertebral disc prostheses increases, an increasing need exists for improved methods and apparatus for inserting such prostheses. Ideally, such intervertebral prosthesis insertion methods and devices would provide for insertion of a prosthesis a desired distance into an intervertebral space while reducing the need for intervertebral distraction, thus preventing or at least reducing trauma to surrounding tissues. Also ideally, such insertion methods and devices would be relatively simple and easy to use,

thereby reducing the overall invasiveness of the procedure. At least some of these objectives will be met by the present invention.

[0012] 2. Description of the Background Art

[0013] A number of exemplary intervertebral disc prostheses are listed above. Published
5 US patent applications 2002/0035400A1 and 2002/0128715A1 describe disc implants which comprise opposing plates with a core between them over which the plates can slide. The core receives one or more central posts, which are carried by the plates and which locate in opposite ends of a central opening in the core. Such arrangements limit the load bearing area available between the plates and core.

10 **[0014]** Other patents related to intervertebral disc prostheses include U.S. Patent Nos.: 4,759,766; 4,863,477; 4,997,432; 5,035,716; 5,071,437; 5,370,697; 5,401,269; 5,507,816; 5,534,030; 5,556,431; 5,674,296; 5,676,702; 5,702,450; 5,824,094; 5,865,846; 5,989,291; 6,001,130; 6,022,376; 6,039,763; 6,139,579; 6,156,067; 6,162,252; 6,315,797; 6,348,071; 6,368,350; 6,416,551; 6,592,624; 6,607,558 and 6,706,068. Other patent applications related
15 to intervertebral disc prostheses include U.S. Patent Application Publication Nos.: 2003/0009224; 2003/0074076; 2003/0191536; 2003/0208271; 2003/0135277; 2003/0199982; 2001/0016773 and 2003/0100951. Other related patents include WO 01/01893A1, EP 1344507, EP 1344506, EP 1250898, EP 1306064, EP 1344508, EP 1344493, EP 1417940, EP 1142544, and EP 0333990.

20

BRIEF SUMMARY OF THE INVENTION

[0015] The present invention generally provides methods for inserting an intervertebral disc prosthesis, as well as devices and systems for performing the methods. One advantage of these improved methods is that a disc prosthesis may be inserted with minimal or reduced
25 intervertebral distraction, thus avoiding trauma to tissues in and around the insertion site. Reduced distraction is generally achieved by inserting a prosthesis into an intervertebral space while allowing endplates of the prosthesis to articulate during at least part of the insertion process. For the purposes of this application, to "articulate" means to move relative to another structure. Thus, allowing endplates of an intervertebral prosthesis to articulate
30 means that endplates are free to move relative to each other, relative to a core of the prosthesis, relative to a ball and socket joint of the prosthesis, relative to a mobile or fixed center of rotation of the prosthesis and/or the like. Although the following description often

focuses on disc prostheses having two endplates and a core, various embodiments of the insertion method may be applied to any other intervertebral disc prosthesis. Articulation of the endplates during insertion allows the prosthesis to be pushed posteriorly into a disc space without excessive intervertebral distraction or significant forces being applied to the vertebrae, thus achieving desirable positioning of the prosthesis while avoiding trauma to surrounding muscles, ligaments, nerves and the like.

[0016] In one aspect of the present invention, a method of inserting an intervertebral prosthesis into a space between two adjacent vertebrae involves inserting the prosthesis partway into the space under constraint to prevent endplates of the prosthesis from articulating, releasing the prosthesis from constraint, and inserting the unconstrained prosthesis farther into the space. As mentioned above, in some embodiments, the endplates of the constrained prosthesis are prevented from articulating about a core of the prosthesis, while the endplates of the unconstrained prosthesis are generally free to articulate about the core to help the prosthesis conform to the space between the two vertebrae. In alternative embodiments, the unconstrained endplates may be free to articulate about a ball and socket joint or other structure.

[0017] In one embodiment, inserting the prosthesis partway under constraint involves grasping the endplates with an insertion tool such that they cannot move relative to the core and pushing the prosthesis partway into the space using the insertion tool. In such embodiments, releasing the prosthesis from constraint may involve loosening the insertion tool. In some embodiments, the loosened insertion tool may then be used to insert the unconstrained prosthesis farther into the intervertebral space. Additionally, or alternatively, a separate pusher tool may be used to insert the unconstrained prosthesis farther into the space.

[0018] In some embodiments, inserting the constrained prosthesis partway into the space between the vertebrae involves inserting the prosthesis less than halfway into the space. In one embodiment, for example, the constrained prosthesis is inserted about one third of the way into the space and then subsequently inserted farther into the space. In alternative embodiments, the constrained prosthesis may be pushed more than halfway into the space, less than one third of the way into the space, or any other suitable distance into the space.

The unconstrained prosthesis is then inserted any desired distance farther into the intervertebral space. In some embodiments, for example, the prosthesis is inserted

sufficiently far into the space that a center of rotation of the prosthesis is closer to the posterior edges of the vertebrae than to the anterior edges of the vertebrae.

[0019] In some embodiments, the prosthesis is inserted in approximately an anterior to posterior direction. In alternative embodiments, the prosthesis may be inserted in an
5 anterolateral-to-posterior direction, lateral-to-lateral direction or posterior-to-anterior direction. Typically, inserting the unconstrained prosthesis farther into the space involves pushing the prosthesis into the space. In other embodiments, however, techniques other than pushing may be used to insert the prosthesis, such as pulling. In some embodiments, pushing the prosthesis farther into the space involves individually pushing upper and lower endplates
10 of the prosthesis. Alternatively, or additionally, the upper and lower endplates of the prosthesis may be simultaneously pushed into the intervertebral space. In various embodiments, individual and simultaneous endplate pushing may be performed using the grasping device, a separate pusher device, or both.

[0020] In some embodiments, the method also includes inserting a vertebral spacing device
15 at least partway into the space and manipulating the spacing device to increase a height of the space. An example of such a spacing device is described by the assignees of the present application in PCT Patent Application Number 2004/000171, filed January 26, 2004 (Attorney Docket Number currently being updated with International Bureau to 022031-001100PC), the full disclosure of which is hereby incorporated by reference. The spacing
20 step is typically performed before inserting the constrained prosthesis partway into the intervertebral space. In some embodiments, inserting the constrained prosthesis partway into the intervertebral space comprises sliding the prosthesis between two opposing jaws of the spacing device. In such an embodiment, inserting the constrained prosthesis partway into the space may optionally further involve sliding at least one fin on at least one outer surface of
25 the endplates through at least one corresponding slot in the opposing jaws. In one embodiment, such a fin (or fins) may then be slid into a corresponding slot formed in one of the vertebrae.

[0021] Some embodiments also involve using a vertebral midpoint indicator device to locate a midpoint of at least one of the two vertebrae, and marking the midpoint on one or
30 both of the two vertebrae. An example of a midline indicator device is described by the assignees of the present application in PCT Patent Application Number 2004/000170, filed January 26, 2004 (Attorney Docket Number currently being updated with International

Bureau to 022031-000900PC), the full disclosure of which is hereby incorporated by reference. Midline finding and marking are typically performed before inserting the constrained prosthesis partway into the intervertebral space. In some embodiments, locating the midpoint involves inserting the vertebral midpoint indicator device into the space between the vertebrae and imaging the midpoint indicator device using a radiographic imaging device.

5 [0022] In another aspect of the present invention, a method of inserting an intervertebral prosthesis into a space between two adjacent vertebrae involves sliding the prosthesis partway into the space between the vertebrae between two opposing jaws of a spacing device, removing the spacing device from the space to release the prosthesis from constraint, and
10 pushing the unconstrained prosthesis farther into the space while allowing endplates of the prosthesis to articulate. In this method, the endplates of the prosthesis are constrained from articulating when the prosthesis is disposed between the jaws. Again, in some embodiments, the unconstrained endplates articulate about a core of the prosthesis, while in alternative
15 embodiments they may articulate about a ball and socket joint or other structure. Such a method may optionally further include inserting the spacing device at least partway into the space and manipulating the spacing device to increase a height of the space. Any of the additional or alternative features described above may also be applied in various
embodiments.

[0023] In another aspect of the present invention, a device for inserting an intervertebral
20 prosthesis into a space between two adjacent vertebrae includes: an elongate rigid shaft having a proximal end and a distal end; an adjustable grasping member coupled with the distal end for releasably grasping endplates of the intervertebral prosthesis; and an actuator disposed near the proximal end of the shaft and coupled with the grasping member for
adjusting the grasping member to grasp and release the prosthesis. The grasping member is
25 adapted to grasp the prosthesis such that the endplates are constrained from articulating and such that the outer diameter of the grasping member does not extend beyond a largest diameter of the endplates. Additionally, the grasping member is adapted for pushing the prosthesis into the space between the two vertebrae either while grasping the prosthesis or after releasing the prosthesis.

30 [0024] In some embodiments, the grasping member comprises movable opposing jaws adapted to simultaneously grasp inner rims of the endplates. Such a grasping member may, for example, be coupled with the actuator via at least one rod extending through the shaft.

For example, the grasping member may include a first half coupled with a first movable rod extending from the actuator and a second half coupled with a second movable rod extending from the actuator. In some embodiments, the actuator comprises a thumb screw adapted to move the first and second rods closer together and farther apart by turning the thumb screw in
5 opposite directions. In alternative embodiments, the actuator may include, but is not limited to, a trigger, tongs and a movable handle. In a number of embodiments, the device is shaped to pass between two opposable jaws of a vertebral spacing device disposed between the two adjacent vertebrae. Also in some embodiments, the grasping member may be adapted to push the endplates either simultaneously or individually into the space.

10 **[0025]** In another aspect of the present invention, a system for inserting an intervertebral prosthesis into a space between two adjacent vertebrae includes a prosthesis grasping device for grasping the prosthesis and pushing the prosthesis at least partway into the space and at least one prosthesis pusher device for pushing the prosthesis farther into the space. The grasping device is similar to the device described immediately above and may include any of
15 the described features. The pusher device may include: an elongate shaft having a proximal end and a distal end; a concave pusher portion disposed at the distal end, the pusher portion adapted to push the endplates either simultaneously or individually into the space; and a handle disposed at the proximal end.

[0026] In some embodiments, the system further includes a vertebral spacing device for
20 increasing a height of the space between the two vertebrae. An example of such a spacing device is described in PCT Patent Application Number 2004/000171, which was previously incorporated by reference. In such embodiments, the grasping member is adapted to slide through the vertebral spacing device disposed between two adjacent vertebrae. Optionally, the pusher device may also be adapted to slide through the spacing device.

25 **[0027]** The system may optionally further include a vertebral body midline indicator device for locating a midline on a vertebral body of at least one of the two vertebrae. An example of a midline indicator device is described in PCT Patent Application Number 2004/000170, which was previously incorporated by reference.

[0028] These and other aspects and embodiments will be described in further detail below,
30 with reference to the drawing figures.

BRIEF DESCRIPTION OF THE DRAWINGS

[0029] Figs. 1A-1E demonstrate a method for inserting an intervertebral disc prosthesis according to one embodiment of the present invention.

5 [0030] Figs. 2A and 2B are top views of a grasping device for inserting an intervertebral disc prosthesis according to one embodiment of the present invention.

[0031] Fig. 2C is a side view of the distal end of the device in Figs. 2A and 2B.

[0032] Fig. 3 is a top view of a pusher device for inserting an intervertebral disc prosthesis according to one embodiment of the present invention.

10 [0033] Figs. 4A-4E are various views of a spreader device for distracting two adjacent vertebrae for inserting an intervertebral disc prosthesis according to one embodiment of the present invention.

[0034] Fig. 5 demonstrates the spreading action of the spreader device in Figs. 4A-4E.

[0035] Figs. 6A-6D are various views of a vertebral body midline indicator device according to one embodiment of the present invention.

15 [0036] Figs. 7A and 7B demonstrate indication of vertebral midline using the device in Figs. 6A-6D.

DETAILED DESCRIPTION OF THE INVENTION

20 [0037] Referring to Figs. 1A-1E, in one embodiment a method for inserting an intervertebral disc prosthesis 104 into an intervertebral space IS between two adjacent vertebrae V first involves inserting the disc prosthesis 104 partway into the space IS while the prosthesis 104 is constrained (Fig. 1A). By "constrained" it is meant that endplates 106 of the prosthesis 104 are not free to articulate (move) about a core 112 (Figs. 1B-1E) of the prosthesis 104. To insert the prosthesis 104 partway under constraint, an insertion device 102

25 may be used. Such an insertion device 102 may suitably include a grasping member 110 coupled with an elongate shaft 108. At an end opposite the grasping member 110 (not shown), the insertion device 102 may include a handle, an actuator to control the grasping member 110 and/or any other suitable features, some of which are described further below.

30 [0038] The prosthesis 104 may be inserted as far into the intervertebral space IS under constraint as is desired. In some embodiments, for example, the prosthesis 104 is inserted

under constraint approximately one-third of the way into the space IS. In other embodiments, the prosthesis 104 may be inserted less than one-third of the way, closer to one-half of the way, or any other suitable distance into the space IS.

5 [0039] As shown in Fig. 1B, once the prosthesis 104 is inserted partway under constraint, the insertion device 102 may be removed, thus releasing the prosthesis 104 from constraint. From this point forward, the endplates 106 of the prosthesis 104 are free to move about the prosthesis core 112. Examples of such a prosthesis 104 with endplates 106 and core 112 are described by the assignees of the present application in U.S. Patent Application Serial Nos. 10/855,817 and 10/855,253, previously incorporated by reference, although any other suitable
10 prosthesis may be used in various embodiments.

[0040] Referring now to Figs. 1C-1E, in some embodiments the insertion device 102 may be used to push the unconstrained prosthesis 104 farther into the intervertebral space. In some embodiments, one or more separate pusher devices (not shown) may be used in addition to or instead of the insertion device 102 for pushing the prosthesis 104 farther into
15 the space IS. Figs. 1C and 1D demonstrate that in one embodiment the grasping member 110 of the insertion device 102 is adapted to push individually against the upper (Fig. 1C) and lower (Fig. 1D) endplates 106. As shown in Fig. 1E, the grasping member 110 may also be adapted to push simultaneously against the upper and lower endplates 106, thus pushing the prosthesis 104 as a unit farther into the intervertebral space IS.

20 [0041] By inserting the prosthesis 104 farther into the space IS while it is unconstrained, thus allowing the endplates 106 to articulate about the core 112, the method reduces the need for increasing the height of the intervertebral space IS by distracting the vertebrae V away from each other. Because the endplates 106 are free to articulate, the prosthesis 104 is better able to conform to the intervertebral space IS, thus reducing trauma to the vertebrae V and
25 also limiting trauma to surrounding structures caused by over-distriction.

[0042] The unconstrained prosthesis 104 may be inserted as far into the intervertebral space IS as is desired. In some embodiments, for example, the prosthesis 104 is pushed far enough into the space IS so that a center of rotation of the prosthesis 104 is closer to a posterior edge P (Fig. 1E) of the vertebrae V than to an anterior edge A of the vertebrae V. In alternative
30 embodiments, any other suitable insertion distance or depth may be used. Once a desired amount of insertion is achieved, the insertion device 102 is removed and the prosthesis 104 is in place between the two adjacent vertebrae V.

[0043] In various embodiments, the method just described may include fewer steps or additional steps. For example, in one embodiment, a spreader device is inserted between the two vertebrae V to spread them apart before inserting the constrained prosthesis 104. An example of such a spacing device is described in PCT Patent Application Number
5 2004/000171, previously incorporated by reference. In such embodiments, the insertion device 102 is typically sized to fit between opposing jaws of the spreader device. When the prosthesis 104 is partially inserted, the spreader device is removed from the intervertebral space IS, and the prosthesis 104 is released from constraint and inserted the rest of the way into the space IS. Also in some embodiments, a midline indicator device may be used to
10 facilitate the location of a midline on one or both of the two adjacent vertebrae V. An example of such a midline indicator device is described in PCT Patent Application Number 2004/000170, previously incorporated by reference. Typically, the midline indicator is used before the disc prosthesis 104 is inserted. These and other steps or features may be included in various embodiments of the method without departing from the scope of the invention.

[0044] Referring now to Figs. 2A-2C, one embodiment of an insertion device 120 for inserting an intervertebral disc prosthesis 140 suitably includes an elongate shaft 126, a grasping member 122 coupled with the distal end of the shaft 126, and a handle 128 at the proximal end of the shaft 120, including one or more actuators 130 for controlling movement
15 of the grasping member 122. One or more rods 124 or other connectors extend from the grasping member 122 through the shaft 126 to the actuator 130. In the embodiment shown, for example, the grasping member 122 comprises two opposable tongs or jaws, which may be moved closer together or farther apart (double-headed arrows) via the actuator 130 and rods
20 124. The actuator 130 shown is a thumb screw. In alternative embodiments, scissor-type mechanisms, spring loaded tongs, a triggering mechanism or any other suitable grasping and actuating means may be used. Any suitable material or combination of materials may be
25 used to manufacture the insertion device, including but not limited to stainless steel and/or other suitable metals.

[0045] As shown in Fig. 2B, the insertion device 120 may grasp a disc prosthesis 140 such that the grasping member 122 does not protrude beyond an outer edge 141 of the prosthesis
30 140. In other words, the grasping member 122 holds onto an inner portion of the prosthesis 140, so that it will not extend beyond the lateral edges 141 of the prosthesis 140. This configuration is advantageous during insertion, as the grasping member 122 is essentially out of the way, within the outer edge 141 of the prosthesis 140.

[0046] Fig. 2C is a side view of a distal end of the insertion device 120 shown in Figs. 2A and 2B. It is more readily seen that the disc prosthesis 140 includes a core 146 and two endplates 142. Each endplate 142 includes an inner rim 144 that contacts the core 146 and a fin 148 for enhancing attachment to vertebral bone. The grasping member 122 of the insertion device 120 grasps the inner rims 144 of the endplates 142, thus positioning it within the outer edges 141 of the endplates 142. Of course, in various embodiments of the methods described herein, any suitable alternative prosthesis may be used, as well as any suitable insertion device (or devices).

[0047] Referring now to Fig. 3, in some embodiments a separate pusher device 150 may be used to push an unconstrained prosthesis 140 farther into an intervertebral space. The pusher device 150 is typically constructed of stainless steel or other suitable metal and suitably includes an elongate shaft 152, a pusher member 154 at the distal end of the shaft 152, and a handle 158 at the proximal end of the shaft 152. The pusher member 154 includes a concave inner portion 156 for pushing against the inner rims 144 of endplates 142 of the prosthesis 140. The concave portion 156 may be tapered and/or rounded to facilitate pushing against upper and lower endplates 142 individually while also allowing for simultaneous pushing against both endplates 142. In alternative embodiments, the pusher device 150 may have any of a number of alternative configurations, shapes, sizes and the like. In some embodiments, multiple pusher devices 150 of different configurations and/or sizes are provided to allow a physician to select one or more desired devices 150.

[0048] Referring now to Figs. 4A-4E, a spreader device 10 for spreading adjacent vertebrae to facilitate intervertebral disc prosthesis 30 insertion is shown. Again, the device 10 is described in greater detail in PCT Patent Application Number 2004/000171, which was previously incorporated by reference. The spreader device 10 generally includes distally located opposable jaws 12, a slidable pusher member 45 and an actuator 15. The opposable jaws 12 are carried by arms 14 which form part of a scissors-type mechanism having a single hinge point 15. Handles 16 on the proximal end of the device are used to manipulate the opposable jaws 12. When the handles 16 are actuated, arms 14 translate the actuation motion to the single hinge point scissors type mechanism 15. This causes the opposable jaws 12 to open or close. The jaws 12 have opposing surfaces 18 formed with ribs 20 and transverse slots 22 which extend for the height of the jaws as seen in Fig. 4B. At their free ends, the jaws 12 are provided with relatively sharp tips or blades 24 having curved extremities 26.

[0049] Figs. 4A and 4B illustrate how the handles 14 are inclined relative to the jaws 12. Manipulation of the handles 16 by moving them causes the jaws 12 to open or close. Other embodiments include a double hinge instead of the single hinge 15 which would pivot the jaws apart from one another when the handles 16 are displaced towards one another.

5 [0050] The insertion device 10 illustrated in Figs. 4A-4E is designed for placement of an intervertebral prosthetic disc 30. Such a prosthetic disc 30 comprises opposing endplates 32 which are located on opposite sides of a central core 34. The opposing endplates 32 articulate about the central core 34. The prosthetic disc 30 also comprises projecting fins 36 which are aligned with matching slots 40 in the vertebrae 38 during implantation. Typically
10 slots 40 are saw cut into the vertebrae 38.

[0051] A method of inserting the intervertebral prosthesis is illustrated in Figs. 4D and 5. In order to place the prosthesis 30, the vertebrae 38 are distracted by a distance sufficient for at least partial insertion of the prosthesis 30. To achieve this, the tips 24 of the opposable jaws 12 are inserted between the vertebrae 38 with the slots 22 in the opposable jaws 12
15 aligned with the slots in the vertebrae 40. The handles 16 are then manipulated to force the opposable jaws 12 apart which also forces the vertebrae 38 apart from one another, creating a gap. The prosthesis 30 is then inserted into the gap 42 between the opposable jaws 12 where it is held therein with fins 36 engaged with the corresponding slots 22. The prosthesis 30 is then slipped distally in the gap while being guided by the fins 36 cooperating with the slots
20 22. The prosthesis 30 is moved through the inter-jaw gap and past the jaw tips 24 in order to locate the prosthesis 30 between the vertebrae 38 with fins 36 in the vertebral cut slots 40. The slots 22 in the opposable jaws 12 help to guide the fins 36 into the vertebral cut slots 40.

[0052] Figure 4C illustrates the jaws 12 inclined towards one another, in the direction towards the tips 24. The gap 42 between the jaws 12 at the top is large enough for insertion
25 of the prosthesis 30 between them at that point. Therefore, in an alternative method of placing the prosthesis, the prosthesis 30 may be located initially in the gap 42 and then it may be pushed down towards the tip 24, forcing the jaws 12 open and similarly forcing the vertebrae 38 apart from one another. A pusher 45 may be used to hold, position and drive the prosthesis 30 during the placement procedure. A force may be applied manually to pusher 45
30 or it may be tapped on the upper end to drive the prosthesis downward.

[0053] Alternatively, the prosthesis placement procedure may be modified so that the initial distraction of the vertebra 38 is achieved by manipulation of the handles 16 and then a force

may be applied manually to the pusher 45 or it may be tapped in order to create the final intervertebral gap and placement of the prosthesis 30. The spreader device 10 serves both to facilitate insertion of the prosthesis 30 between the vertebrae 38 and also to ensure that the prosthesis 30 is accurately guided into position with its fins 36 lined up with the vertebral slots 40.

[0054] Fig. 5 shows in greater detail (solid-tipped arrows) the various motions involved in inserting the spreader device 10 into the intervertebral space and manipulating the handles 16 to force open the jaws 12 and thus increased the height of the intervertebral space between the two adjacent vertebrae 38. As mentioned above, use of this or other spreader devices 10 is optional and is not required in all embodiments.

[0055] Figs. 6A-6D show another optional device for use in the insertion methods of the present invention. As mentioned above, a midline indicator device 210 such as the one shown is described in greater detail in PCT Patent Application Number 2004/000170, which was previously incorporated by reference. The midline indicator 210 suitably includes an elongate shaft 212 and a body 214 coupled with one end of the shaft 212. The shaft 212 may be made of one or more radiopaque materials, such as but not limited to stainless steel, titanium or the like. Alternatively, the shaft 212 may be radiolucent. The body 214 is made of one or more radiolucent materials, such as a polymer, so that it is not visible on radiographs. Embedded in the body 214 are two elongate radiopaque markers 216, also made of any suitable radiopaque material(s). The markers 216 are parallel to the shaft 212 and are located on opposite sides and equidistant from the shaft 212.

[0056] Figs. 7A and 7B demonstrate a method for using the midline indicator to find a vertebral body midline 222. Fig. 7A shows, in anterior view, adjacent upper 218 and lower 220 vertebrae. To determine the midline 222, the surgeon uses the shaft 212 to insert the body 214 between the vertebrae 218, 220. The surgeon then attempts to position the shaft 212 at the vertebral midline 222, and a radiograph is taken of the vertebrae 218, 220 and indicator 210 from the anterior-posterior (A-P) direction. The surgeon then examines the radiograph to determine whether the markers 216 are equidistant laterally from the lateral osseous edges 223 of the vertebrae 218, 220--i.e., that the distance 225 is the same on both sides, and that the markers 216 are aligned with the pedicles.

[0057] Additionally, if the shaft 212 and markers 216 are properly aligned in the A-P direction, they will appear as dots on the radiograph. If the midline indicator 210 is turned,

however, as is demonstrated by the dotted lines in Fig. 7B, the shaft 212 and markers 216 will show up as lines or stretched-out dots on the radiograph. The A-P direction of the radiograph is shown by 224, with misalignment of the indicator 210 shown by angles θ . By consulting one or more radiographs and manipulating the indicator 210, the surgeon positions the handle 5 212 of the indicator 210 at the vertebral midline 222. The surgeon may then make a mark 226 in one or more vertebrae 218, 220 to indicate the midline 222. The mark 226 may be made by any suitable means, such as by burning with an electrocautery device, marking with a marking pen, inserting a pin, or the like. After one or more midline marks 226 are made, the midline indicator 210 is removed and the disc prosthesis (not shown) is inserted. Again, 0 the midline finding step is optional.

[0058] Although the foregoing is a complete and accurate description of the invention, any suitable modifications, additions or the like may be made to the various embodiments without departing from the scope of the invention. Therefore, nothing described above should be interpreted as limiting the scope of the invention as it is described in the following claims.

WHAT IS CLAIMED IS:

- 1 1. A method of inserting an intervertebral prosthesis into a space between
2 two adjacent vertebrae, the method comprising:
3 inserting the prosthesis partway into the space under constraint to prevent
4 endplates of the prosthesis from articulating;
5 releasing the prosthesis from constraint; and
6 inserting the unconstrained prosthesis farther into the space.
- 1 2. A method as in claim 1, wherein the endplates of the constrained
2 prosthesis are prevented from articulating about a core of the prosthesis, and wherein the
3 endplates of the unconstrained prosthesis are free to articulate about the core to help the
4 prosthesis conform to the space between the two vertebrae.
- 1 3. A method as in claim 1, wherein inserting the prosthesis partway under
2 constraint comprises:
3 grasping the endplates with an insertion tool such that they cannot move
4 relative to one another; and
5 pushing the prosthesis partway into the space using the insertion tool.
- 1 4. A method as in claim 3, wherein releasing the prosthesis from
2 constraint comprises loosening the insertion tool.
- 1 5. A method as in claim 4, wherein inserting the unconstrained prosthesis
2 farther into the space is performed using the loosened insertion tool.
- 1 6. A method as in claim 4, wherein inserting the unconstrained prosthesis
2 farther into the space is performed using a separate pusher tool.
- 3 7. A method as in claim 1, wherein inserting the prosthesis partway
4 comprises inserting the prosthesis less than halfway into the space prior to releasing
5 constraint.
- 1 8. A method as in claim 1, wherein the prosthesis is inserted in
2 approximately an anterior-to-posterior direction.

- 1 9. A method as in claim 1, wherein the prosthesis is inserted in
2 approximately a lateral-to-lateral direction.
- 1 10. A method as in claim 1, wherein the prosthesis is inserted in an
2 anterolateral-to-posterior direction.
- 1 11. A method as in claim 1, wherein inserting the unconstrained prosthesis
2 farther into the space comprises pushing the prosthesis into the space.
- 1 12. A method as in claim 11, wherein pushing the unconstrained prosthesis
2 farther into the space comprises individually pushing upper and lower endplates of the
3 prosthesis.
- 1 13. A method as in claim 11 or 12, wherein pushing the unconstrained
2 prosthesis farther into the space comprises simultaneously pushing upper and lower endplates
3 of the prosthesis.
- 1 14. A method as in claim 11, wherein pushing the unconstrained prosthesis
2 farther into the space comprises positioning a center of rotation of the prosthesis closer to
3 posterior edges of the two vertebrae than to anterior edges of the vertebrae.
- 4 15. A method as in claim 1, further comprising, before inserting the
5 prosthesis partway under constraint:
6 inserting a vertebral spacing device at least partway into the space; and
7 manipulating the spacing device to increase a height of the space.
- 1 16. A method as in claim 15, wherein inserting the constrained prosthesis
2 partway into the space comprises sliding the prosthesis between two opposing jaws of the
3 spacing device.
- 1 17. A method as in claim 16, wherein inserting the prosthesis partway into
2 the space comprises sliding at least one fin on at least one outer surface of the endplate(s)
3 through at least one corresponding slot in the opposing jaws.
- 1 18. A method as in claim 17, wherein inserting the unconstrained
2 prosthesis farther into the space comprises sliding the at least one fin into at least one
3 corresponding slot formed in one of the vertebrae.

1 19. A method as in claim 1, further comprising, before inserting the
2 prosthesis partway under constraint:

3 locating a midpoint of at least one of the two vertebrae using a vertebral
4 midpoint indicator device; and

5 marking the midpoint on one of the two vertebrae.

1 20. A method as in claim 19, wherein locating the midpoint comprises:
2 inserting the vertebral midpoint indicator device into the space between the
3 vertebrae; and

4 imaging the midpoint indicator device using a radiographic imaging device.

1 21. A method of inserting an intervertebral prosthesis into a space between
2 two adjacent vertebrae, the method comprising:

3 sliding the prosthesis partway into the space between the vertebrae between
4 two opposing jaws of a spacing device, wherein endplates of the prosthesis are constrained
5 from articulating when disposed between the jaws;

6 removing the spacing device from the space to release the prosthesis from
7 constraint; and

8 pushing the unconstrained prosthesis farther into the space while allowing
9 endplates of the prosthesis to articulate.

1 22. A method as in claim 21, wherein the endplates of the constrained
2 prosthesis are prevented from articulating about a core of the prosthesis, and wherein the
3 endplates of the unconstrained prosthesis are free to articulate about the core to help the
4 prosthesis conform to the space between the two vertebrae.

1 23. A method as in claim 21, further comprising:

2 inserting the spacing device at least partway into the space; and

3 manipulating the spacing device to increase a height of the space.

1 24. A method as in claim 23, wherein sliding the prosthesis partway into
2 the space comprises sliding at least one fin on at least one outer surface of the prosthesis
3 through at least one corresponding slot in the opposing jaws.

1 25. A method as in claim 24, wherein pushing the prosthesis farther into
2 the space comprises sliding the at least one fin into at least one corresponding slot formed in
3 at least one of the two vertebrae.

1 26. A method as in claim 21, wherein sliding the prosthesis partway into
2 the space comprises inserting the prosthesis less than halfway into the space before removing
3 the spacing device.

1 27. A method as in claim 21, wherein sliding the prosthesis partway into
2 the space comprises:
3 grasping the endplates with an insertion tool such that they cannot move
4 relative to the core; and
5 pushing the prosthesis between the jaws using the insertion tool.

1 28. A method as in claim 27, further comprising releasing the prosthesis
2 from the insertion tool before removing the spacing device.

1 29. A method as in claim 28, wherein pushing the prosthesis farther into
2 the space is performed using the insertion tool.

1 30. A method as in claim 28, wherein pushing the prosthesis farther into
2 the space is performed using a separate pusher tool.

1 31. A method as in claim 21, wherein the prosthesis is inserted in
2 approximately an anterior-to-posterior direction.

1 32. A method as in claim 21, wherein the prosthesis is inserted in
2 approximately a lateral-to-lateral direction.

1 33. A method as in claim 21, wherein the prosthesis is inserted in an
2 anterolateral-to-posterior direction.

1 34. A method as in claim 21, wherein pushing the unconstrained prosthesis
2 farther into the space comprises positioning a center of rotation of the prosthesis closer to
3 posterior edges of the two vertebrae than to anterior edges of the vertebrae.

1 35. A method as in claim 21, wherein pushing the unconstrained prosthesis
2 farther into the space comprises individually pushing upper and lower endplates of the
3 prosthesis.

1 36. A method as in claim 21 or 35, wherein pushing the unconstrained
2 prosthesis farther into the space comprises simultaneously pushing upper and lower endplates
3 of the prosthesis.

1 37. A method as in claim 21, further comprising, before sliding the
2 prosthesis partway into the space:
3 locating a midpoint of at least one of the two vertebrae using a vertebral
4 midpoint indicator device; and
5 marking the midpoint on one of the two vertebrae.

1 38. A method as in claim 37, wherein locating the midpoint comprises:
2 inserting the vertebral midpoint indicator device into the space between the
3 vertebrae; and
4 imaging the midpoint indicator device using a radiographic imaging device.

1 39. A device for inserting an intervertebral prosthesis into a space between
2 two adjacent vertebrae, the device comprising:

3 an elongate rigid shaft having a proximal end and a distal end;
4 an adjustable grasping member coupled with the distal end for releasably
5 grasping endplates of the intervertebral prosthesis such that the endplates are constrained
6 from articulating and such that an outer diameter of the grasping member does not extend
7 beyond a largest diameter of the endplates; and

8 an actuator disposed near the proximal end of the shaft and coupled with the
9 grasping member for adjusting the grasping member to grasp and release the prosthesis,

10 wherein the grasping member is adapted for pushing the prosthesis into the
11 space between the two vertebrae either while grasping the prosthesis or after releasing the
12 prosthesis.

1 40. A device as in claim 39, wherein the grasping member is adapted to
2 grasp the endplates such that they are prevented from articulating about a core of the
3 prosthesis.

1 41. A device as in claim 39, wherein the grasping member comprises
2 movable opposing jaws adapted to simultaneously grasp inner rims of the endplates.

1 42. A device as in claim 39, wherein the grasping member is coupled with
2 the actuator via at least one rod extending through the shaft.

1 43. A device as in claim 42, wherein the grasping member comprises:
2 a first half coupled with a first movable rod extending from the actuator; and
3 a second half coupled with a second movable rod extending from the actuator.

1 44. A device as in claim 43, wherein the actuator comprises a thumb screw
2 adapted to move the first and second rods closer together and farther apart by turning the
3 thumb screw in opposite directions.

1 45. A device as in claim 39, wherein the actuator is selected from the
2 group consisting of a thumb screw, a trigger, tongs and a movable handle.

1 46. A device as in claim 39, wherein the device is shaped to pass between
2 two opposable jaws of a vertebral spacing device disposed between the two adjacent
3 vertebrae.

1 47. A device as in claim 39, wherein the grasping member is adapted to
2 push the endplates either simultaneously or individually into the space.

1 48. A system for inserting an intervertebral prosthesis into a space between
2 two adjacent vertebrae, the system comprising:

3 a prosthesis grasping device for grasping the prosthesis and pushing the
4 prosthesis at least partway into the space, the grasping device comprising:

5 an elongate rigid shaft having a proximal end and a distal end;

6 an adjustable grasping member coupled with the distal end for
7 releasably grasping endplates of the intervertebral prosthesis such that the endplates are
8 constrained from articulating and such that an outer diameter of the grasping member does
9 not extend beyond a largest diameter of the endplates; and

10 an actuator disposed near the proximal end of the shaft and coupled
11 with the grasping member for adjusting the grasping member to grasp and release the
12 prosthesis,

13 wherein the grasping member is adapted for pushing the prosthesis into
14 the space between the two vertebrae while grasping the prosthesis and after releasing the
15 prosthesis; and

16 at least one prosthesis pusher device for pushing the prosthesis farther into the
17 space.

1 49. A system as in claim 48, wherein the pusher device comprises:
2 an elongate shaft having a proximal end and a distal end;
3 a concave pusher portion disposed at the distal end, the pusher portion adapted
4 to push the endplates either simultaneously or individually into the space; and
5 a handle disposed at the proximal end.

1 50. A system as in claim 48, wherein the grasping member is adapted to
2 grasp the endplates such that they are prevented from articulating about a core of the
3 prosthesis.

4 51. A system as in claim 48, wherein the grasping member comprises
5 movable opposing jaws adapted to simultaneously grasp inner rims of the endplates.

1 52. A system as in claim 48, wherein the grasping member is coupled with
2 the actuator via at least one rod extending through the shaft.

1 53. A system as in claim 52, wherein the grasping member comprises:
2 a first half coupled with a first movable rod extending from the actuator; and
3 a second half coupled with a second movable rod extending from the actuator.

1 54. A system as in claim 53, wherein the actuator comprises a thumb
2 screw adapted to move the first and second rods closer together and farther apart by turning
3 the thumb screw in opposite directions.

1 55. A system as in claim 48, wherein the actuator is selected from the
2 group consisting of a thumb screw, a trigger, tongs and a movable handle.

1 56. A system as in claim 48, wherein the device is shaped to pass between
2 two opposable jaws of a vertebral spacing device disposed between the two adjacent
3 vertebrae.

1 57. A system as in claim 48, wherein the grasping member is adapted to
2 push the endplates either simultaneously or individually into the space

1 58. A system as in claim 48, further comprising a vertebral spacing device
2 for increasing a height of the space between the two vertebrae, wherein the grasping member
3 is adapted to slide through the vertebral spacing device disposed between the two adjacent
4 vertebrae.

1 59. A system as in claim 58, wherein the pusher device is adapted to slide
2 through the spacing device.

1 60. A system as in claim 48, further comprising a vertebral body midline
2 indicator device for locating a midline on a vertebral body of at least one of the two
3 vertebrae.

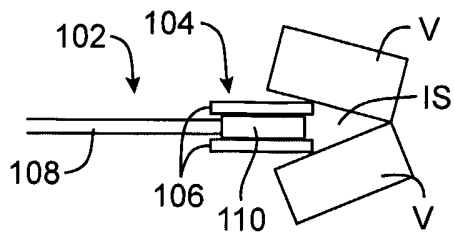


FIG. 1A

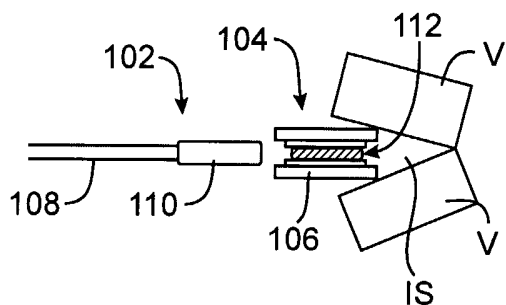


FIG. 1B

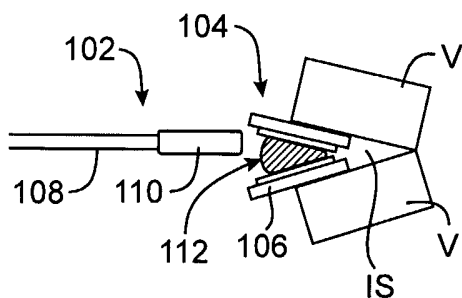


FIG. 1C

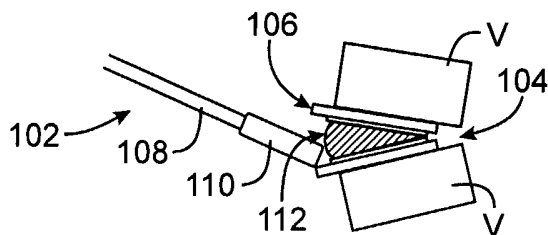


FIG. 1D

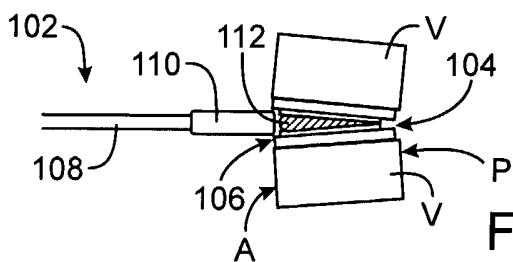


FIG. 1E

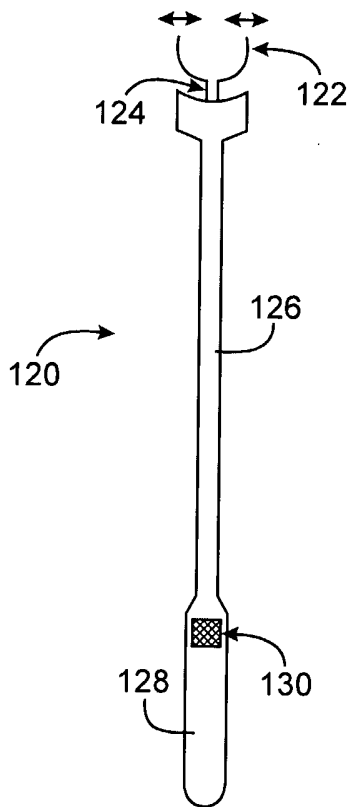


FIG. 2A

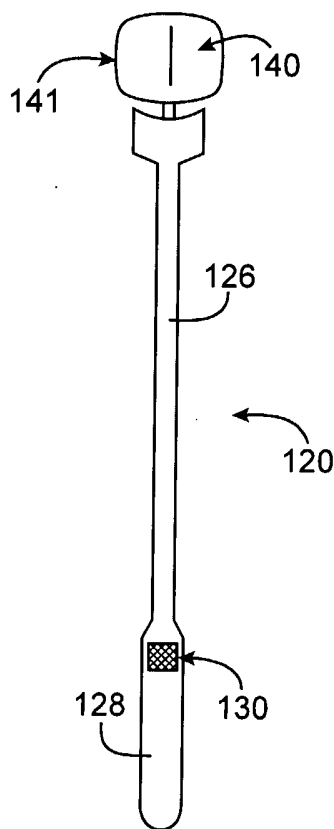


FIG. 2B

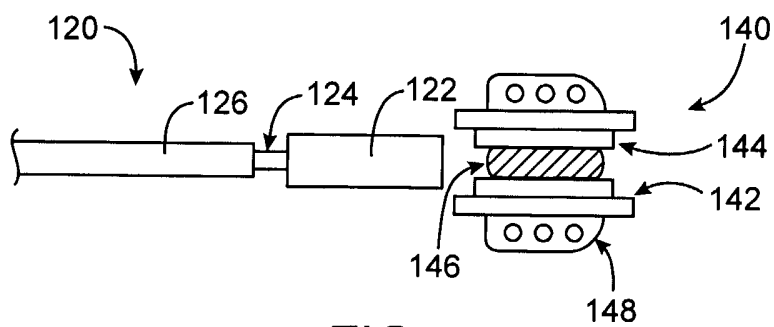


FIG. 2C

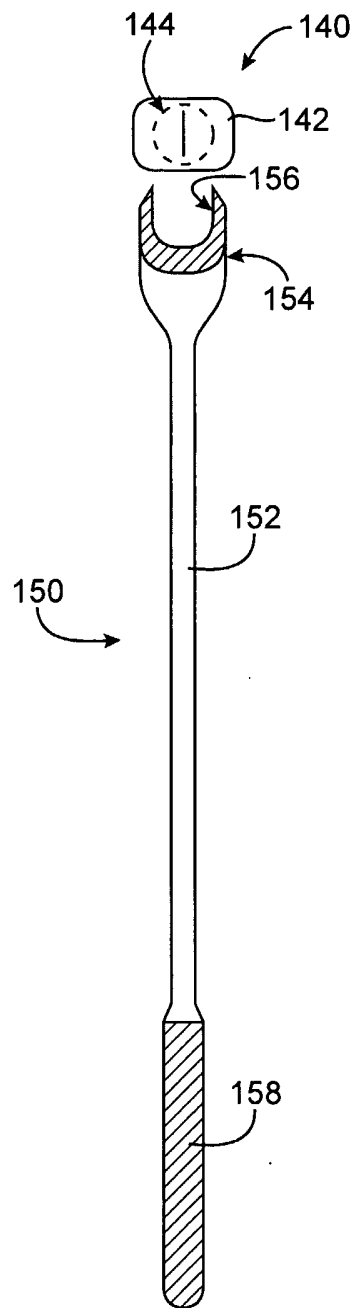
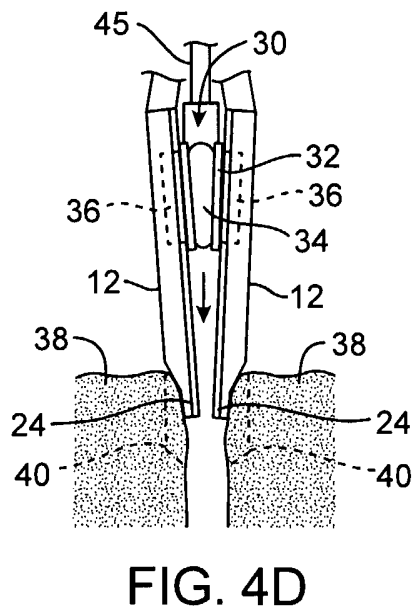
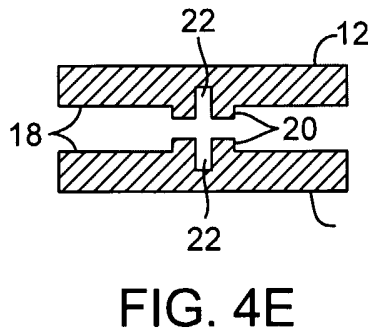
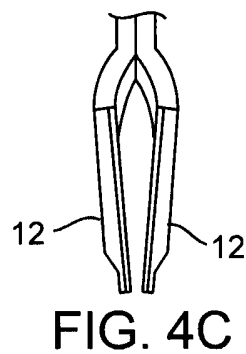
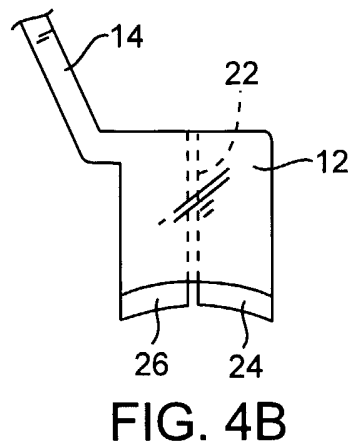
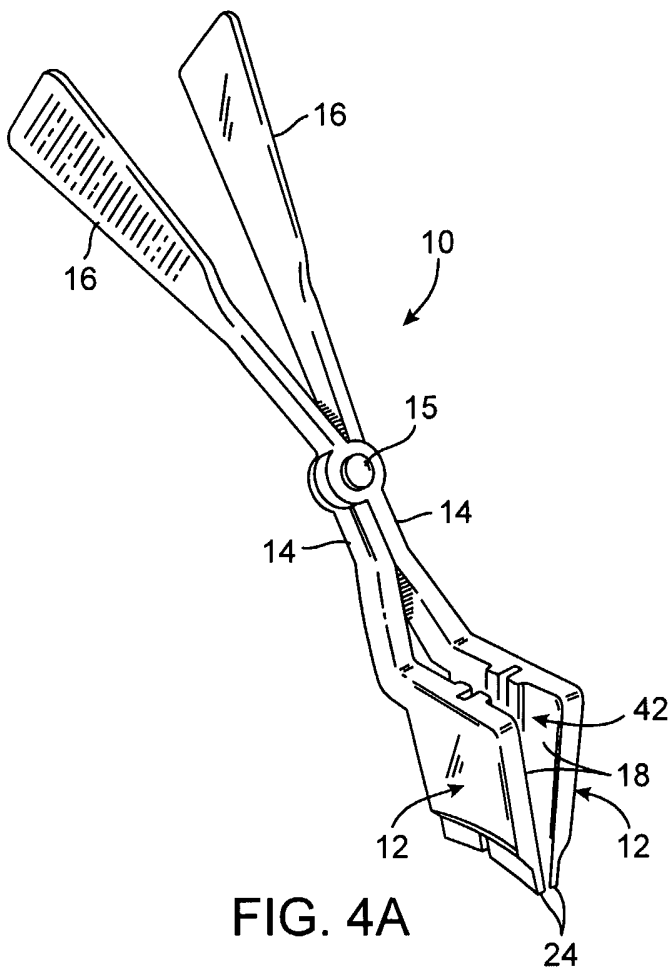


FIG. 3



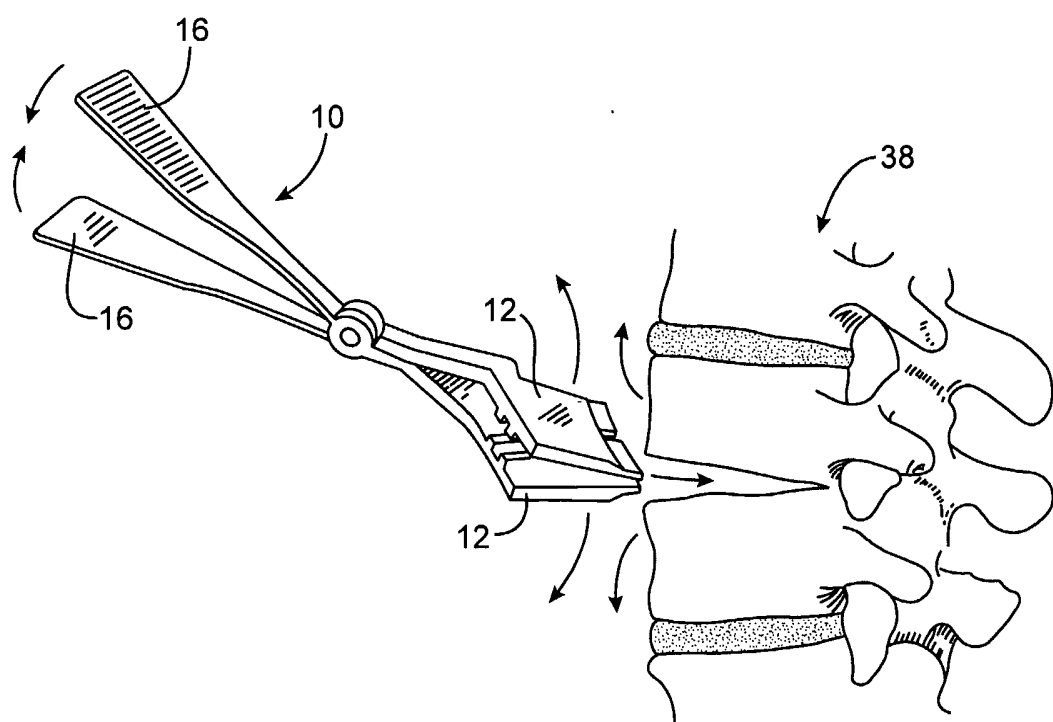


FIG. 5

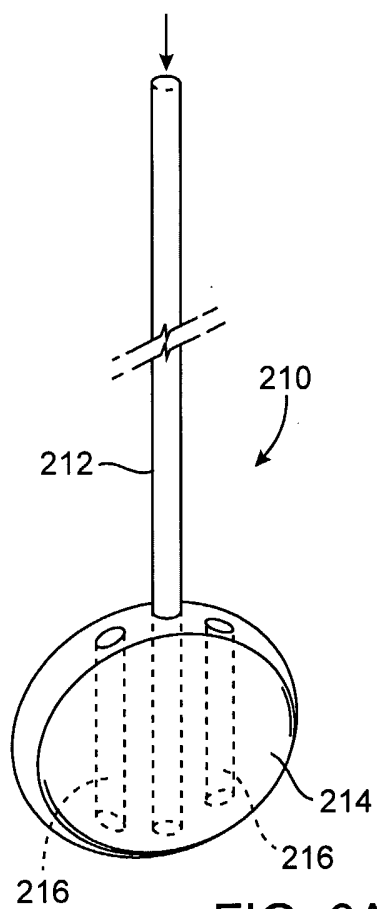


FIG. 6A

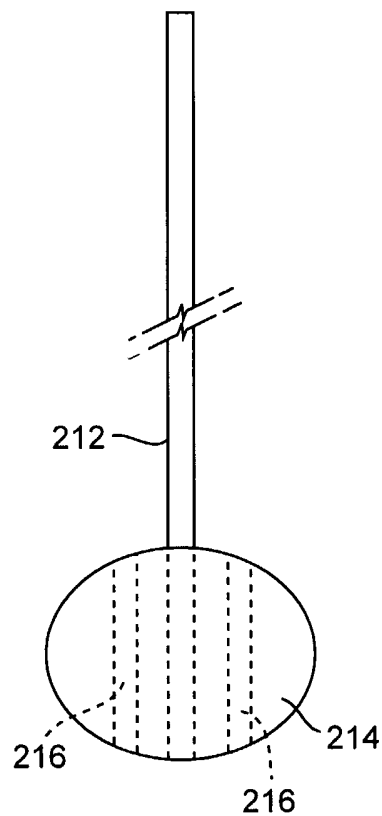


FIG. 6B

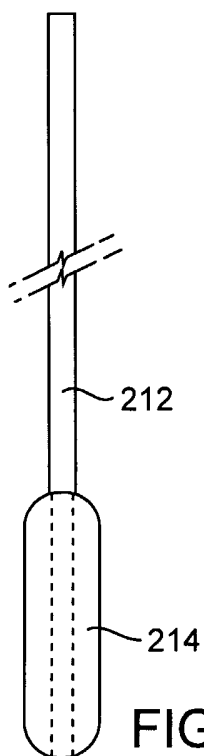


FIG. 6C

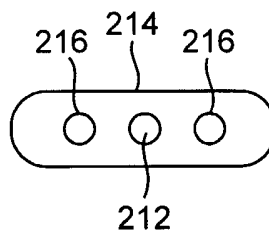


FIG. 6D

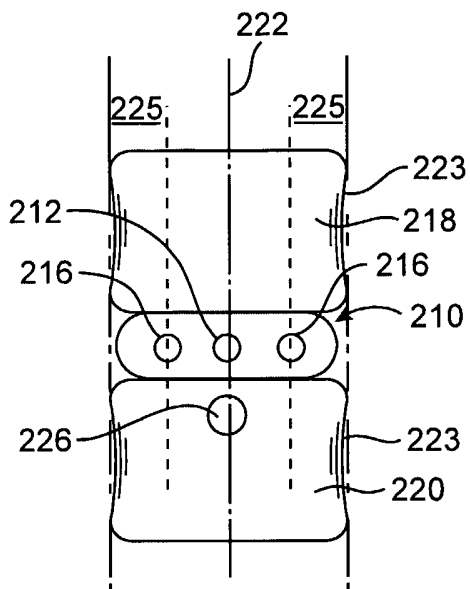


FIG. 7A

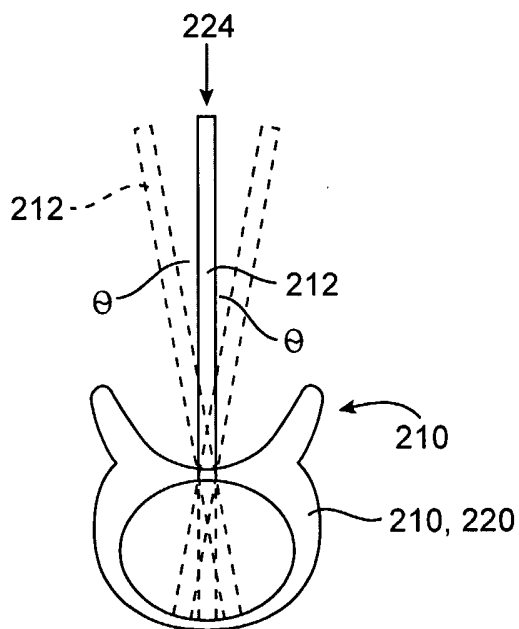


FIG. 7B