



US00D646014S

(12) **United States Design Patent**
Hsieh

(10) **Patent No.:** **US D646,014 S**

(45) **Date of Patent:** **** Sep. 27, 2011**

(54) **LAMPSHADE**

(75) Inventor: **Duan-Cheng Hsieh, Taipei (TW)**

(73) Assignee: **Habitex Corporation, Taipei (TW)**

(**) Term: **14 Years**

(21) Appl. No.: **29/383,990**

(22) Filed: **Jan. 25, 2011**

(51) **LOC (9) Cl.** **26-99**

(52) **U.S. Cl.** **D26/118**

(58) **Field of Classification Search** D26/125,

D26/49, 46, 37, 118, 71, 92, 85, 87, 128,
D26/63, 65, 88, 76, 120, 113, 119, 138, 2,
D26/67, 72, 93, 123, 129, 130, 24, 107, 108,
D26/62, 109, 51, 127, 122, 131, 140, 141,
D26/142, 143, 144, 145, 58, 60, 68; 362/101,
362/34, 346, 223, 294, 549, 109, 190, 192,
362/249.01-249.11, 98, 99, 16, 17, 18, 19;
D13/179, 180; D23/411; 424/401, 402,
424/403, 404, 405; D8/353; 248/158, 122.1;
D25/124; D16/135, 131, 244, 136; D15/90;
359/801, 802, 807, 812; 119/245, 246, 247,
119/253, 256, 266

See application file for complete search history.

(56) **References Cited**

U.S. PATENT DOCUMENTS

D311,589 S * 10/1990 Benchimol et al. D26/24
D385,645 S * 10/1997 Chan D26/107
D391,659 S * 3/1998 Gaskins et al. D26/71

D423,136 S * 4/2000 Hsieh D26/107
D424,232 S * 5/2000 Tihany D26/87
D444,262 S * 6/2001 Eberlein et al. D26/118
D555,274 S * 11/2007 Lai et al. D26/65
D599,048 S * 8/2009 Xiao et al. D26/68
D609,387 S * 2/2010 Compton D26/85
D622,432 S * 8/2010 Yan D26/69
D624,225 S * 9/2010 Federico et al. D26/63
D626,271 S * 10/2010 Verelst D26/85

* cited by examiner

Primary Examiner — Cathron Brooks

Assistant Examiner — Kevin Rudzinski

(74) *Attorney, Agent, or Firm* — Whyte Hirschboeck Dudek SC

(57) **CLAIM**

The ornamental design for lampshade, as shown and described.

DESCRIPTION

FIG. 1 is a perspective view of lampshade showing my new design;

FIG. 2 is a front elevational view thereof;

FIG. 3 is a rear elevational view thereof;

FIG. 4 is a left side elevational view thereof;

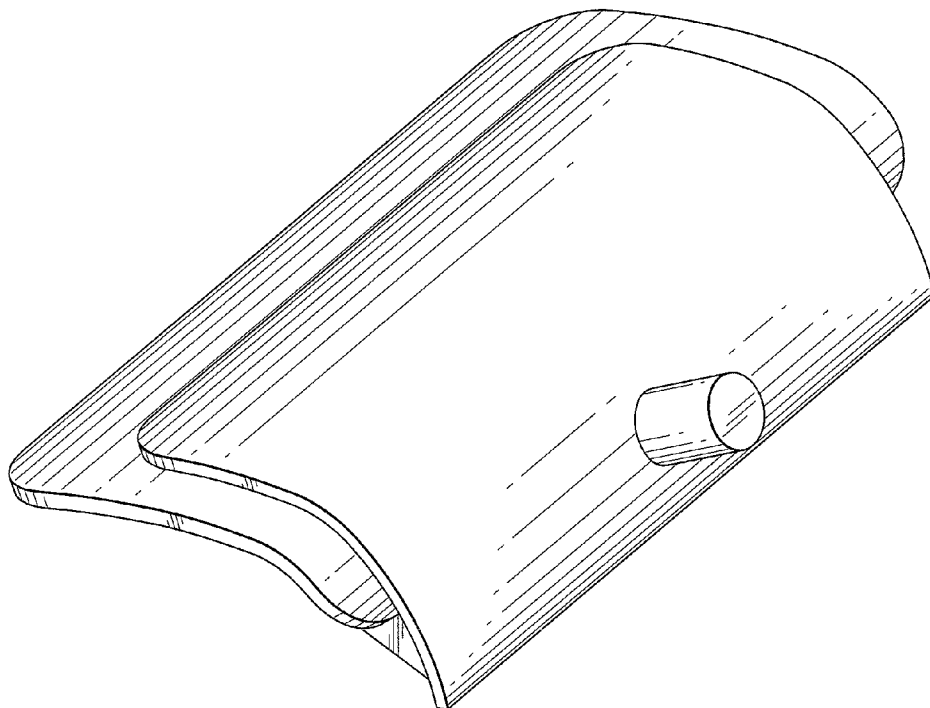
FIG. 5 is a right side elevational view thereof;

FIG. 6 is a top plan view thereof; and,

FIG. 7 is a bottom plan view thereof.

The broken lines shown are included for the purpose of illustrating unclaimed environmental structures and form no part of the claim design.

1 Claim, 5 Drawing Sheets



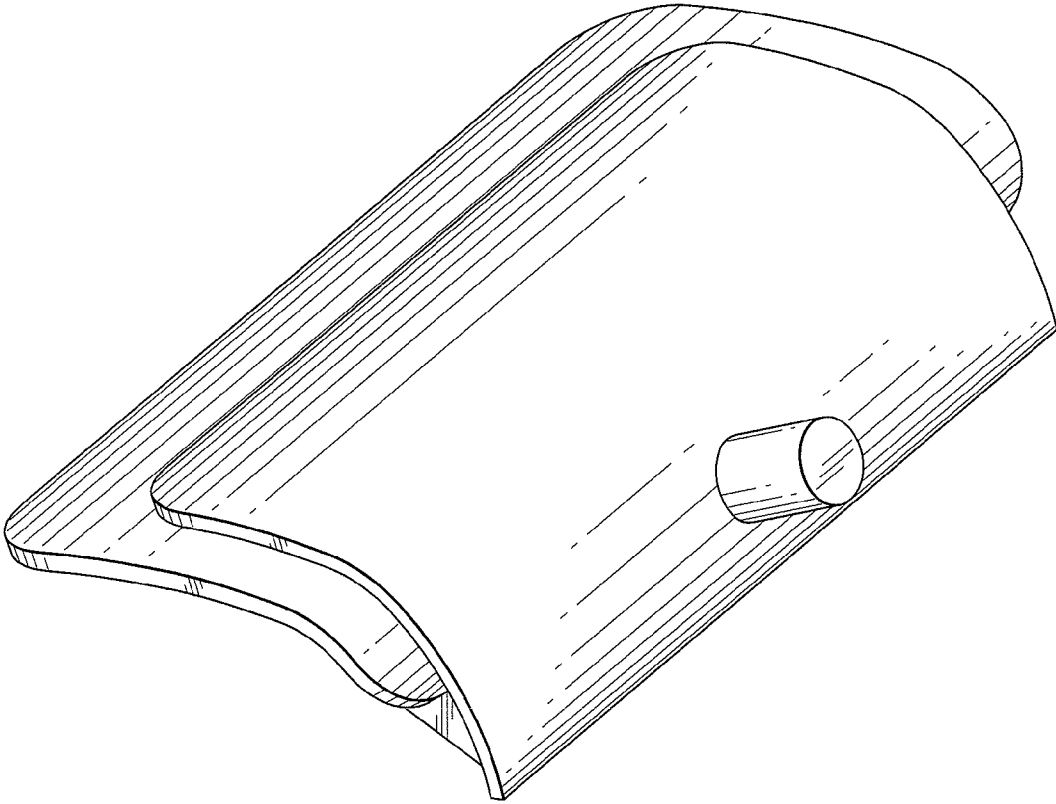


FIG. 1

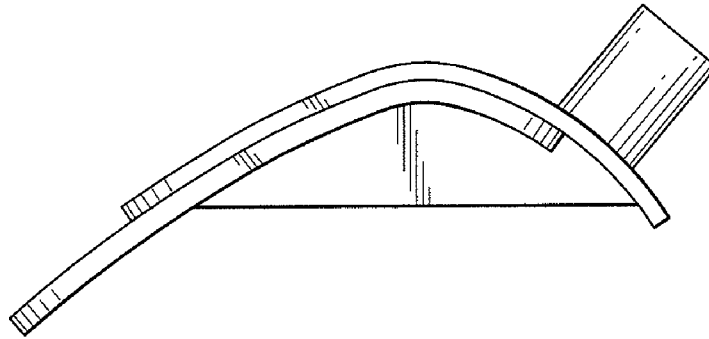


FIG. 2

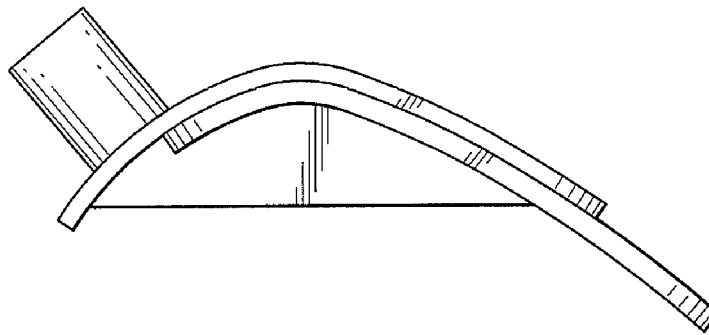


FIG. 3

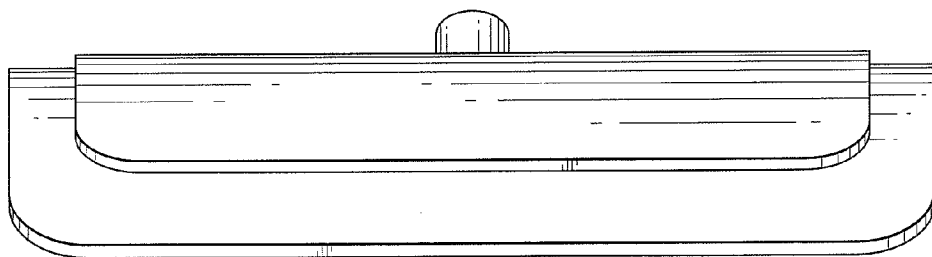


FIG. 4

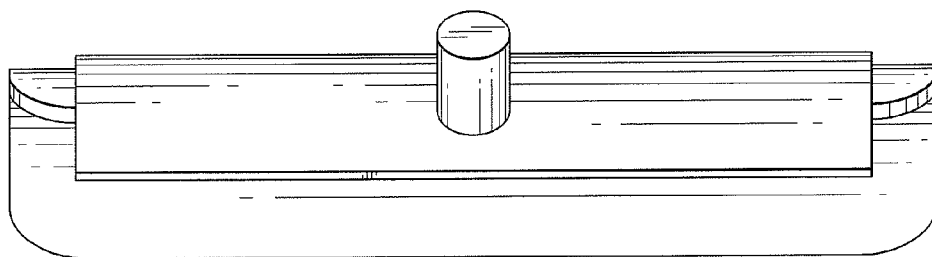


FIG. 5

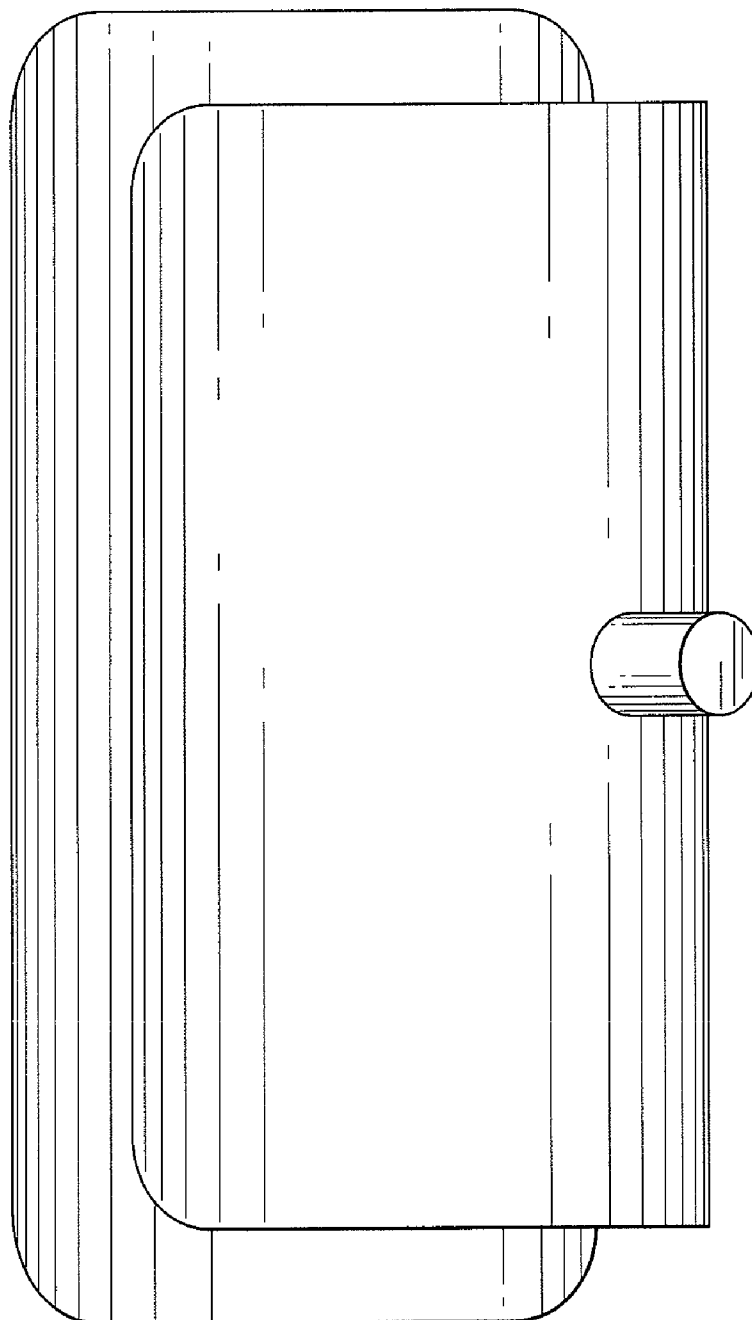


FIG. 6

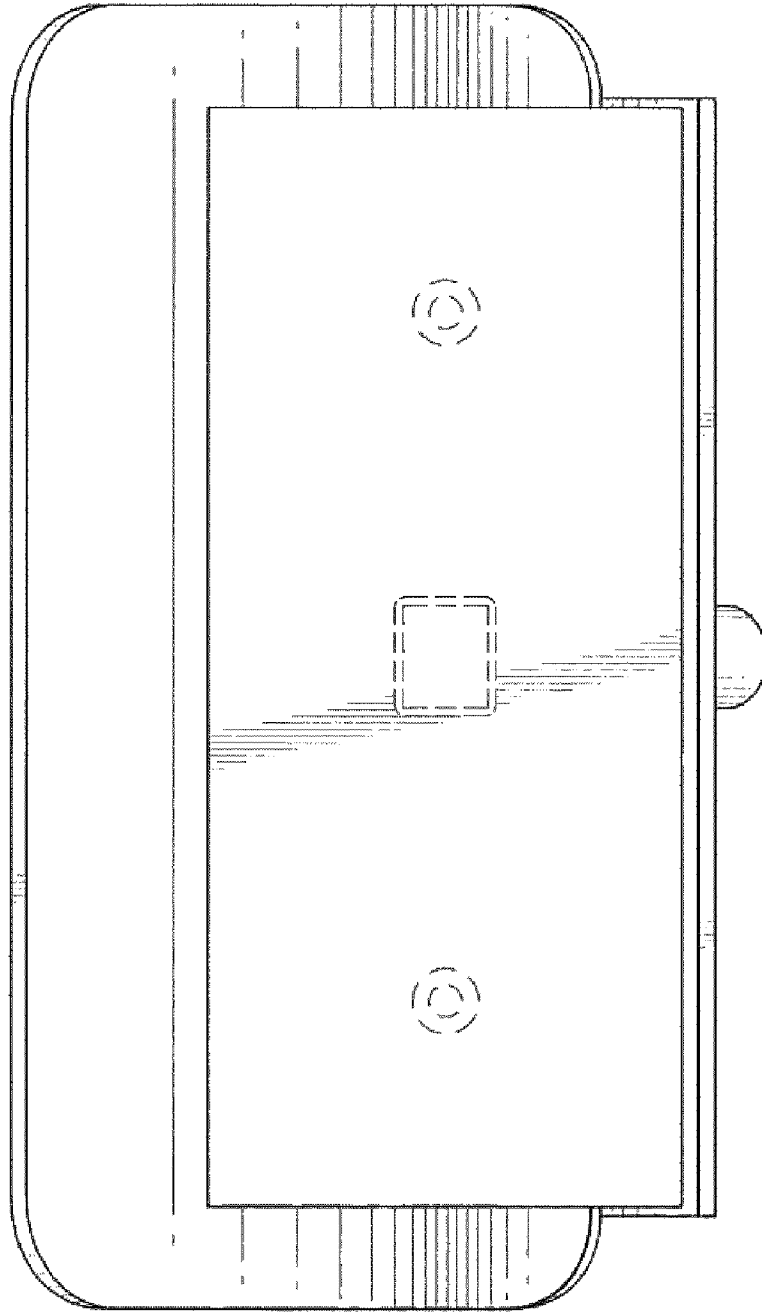


FIG. 7