



US00D824698S

(12) **United States Design Patent**  
**Pennington et al.**

(10) **Patent No.:** **US D824,698 S**  
(45) **Date of Patent:** **\*\* Aug. 7, 2018**

- (54) **MATTRESS**
- (71) Applicant: **Diamond Mattress Company, Inc.**,  
Compton, CA (US)
- (72) Inventors: **Shaun Pennington**, Rossmoor, CA  
(US); **Jacob Hill**, Huntington Beach,  
CA (US); **Jered Goodyear**, Huntington  
Beach, CA (US)
- (73) Assignee: **Diamond Mattress Company, Inc.**,  
Compton, CA (US)
- (\*\*) Term: **15 Years**

4,970,743 A \* 11/1990 Wride ..... A47C 27/085  
5/201  
5,127,115 A \* 7/1992 Williams ..... A47G 9/0246  
112/475.08  
D356,917 S \* 4/1995 Marshburn ..... D5/52  
D374,367 S \* 10/1996 Bonaddio ..... 5/736  
D375,426 S \* 11/1996 Bonaddio ..... D5/53  
D379,014 S \* 4/1997 Woods, II ..... D30/118  
5,970,544 A \* 10/1999 Kardell ..... A47G 9/0246  
5/496  
D468,951 S \* 1/2003 Harris ..... D6/596  
D486,027 S \* 2/2004 Baxter ..... D6/596  
D488,661 S \* 4/2004 Barman ..... D6/596  
6,799,344 B2 \* 10/2004 Gladney ..... A47C 27/002  
5/652  
7,748,066 B2 \* 7/2010 Gladney ..... A47C 27/061  
5/710

(21) Appl. No.: **29/545,870**

(Continued)

- (22) Filed: **Nov. 17, 2015**
- (51) **LOC (11) Cl.** ..... **06-09**
- (52) **U.S. Cl.** ..... **D6/605**

*Primary Examiner* — Mary Ann Calabrese  
*Assistant Examiner* — Jennifer L Rempfer  
(74) *Attorney, Agent, or Firm* — Woodard, Emhardt,  
Moriarty, McNett & Henry LLP

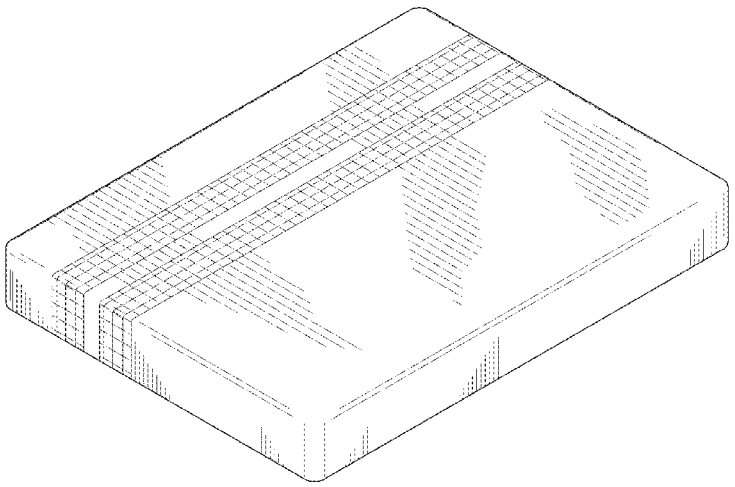
- (58) **Field of Classification Search**  
USPC ..... D6/582–583, 587–592, 595–609,  
D6/617–622; D2/719, 921  
CPC ..... A47G 9/00; A47G 2009/001; A47G  
2009/002; A47G 2009/003; A47G  
2009/005; A47G 2009/006; A47G 9/02;  
A47G 9/0215; A47G 9/0223; A47G  
9/023; A47G 9/0238; A47G 9/06; A47G  
9/062; A47G 9/066; A47G 9/068; A47G  
9/0248; A47G 9/08; A47G 9/04; A47G  
11/002; A47G 11/001; A47G 11/003  
See application file for complete search history.

(57) **CLAIM**  
The ornamental design for a mattress, as shown and  
described.

- (56) **References Cited**  
U.S. PATENT DOCUMENTS  
D102,646 S \* 1/1937 Bowersox et al. .... D6/605  
3,047,888 A \* 8/1962 Shecter ..... A47C 27/15  
428/218  
4,862,538 A \* 9/1989 Spann ..... A61G 7/05707  
5/730  
D304,652 S \* 11/1989 Viesturs ..... D6/604

**DESCRIPTION**  
FIG. 1 is a perspective view of a mattress showing our new  
design.  
FIG. 2 is a top view of the FIG. 1 mattress.  
FIG. 3 is a bottom view of the FIG. 1 mattress.  
FIG. 4 is a front view of the FIG. 1 mattress.  
FIG. 5 is a rear view of the FIG. 1 mattress.  
FIG. 6 is a left side view of the FIG. 1 mattress; and,  
FIG. 7 is a right side view of the FIG. 1 mattress.  
The cross-hatch pattern within the mattress stripes are  
indicative of the stripes having a contrasting appearance  
from the rest of the mattress.

**1 Claim, 3 Drawing Sheets**



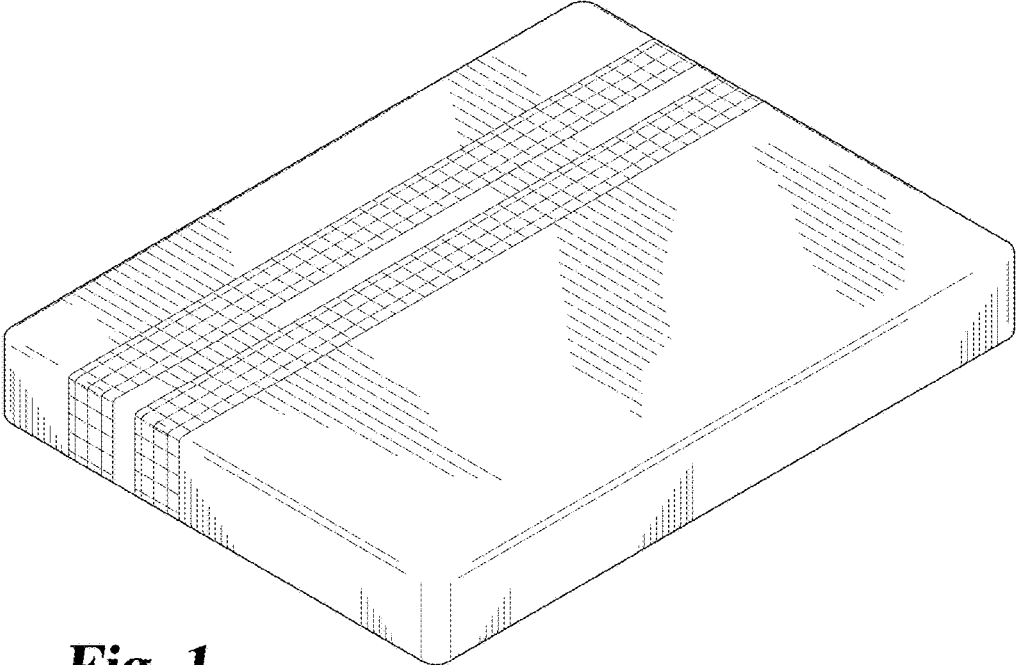
(56)

**References Cited**

## U.S. PATENT DOCUMENTS

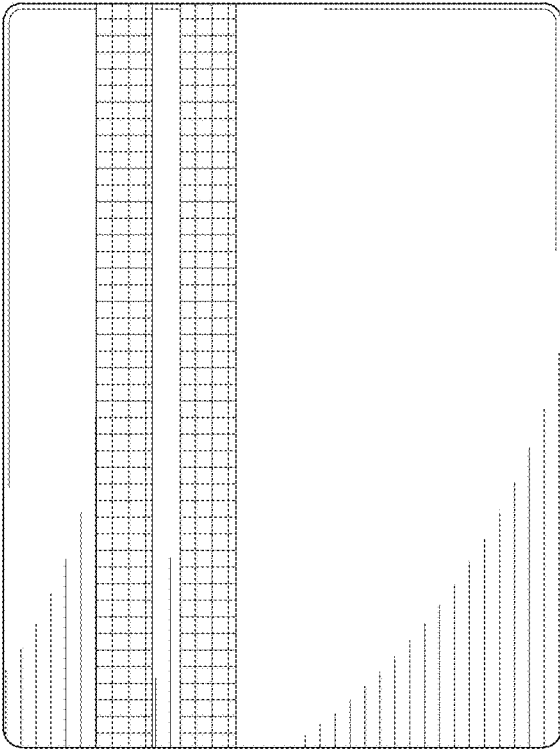
D634,148	S *	3/2011	Morrison	.....	D6/605
D640,082	S *	6/2011	Morrison	.....	D6/605
D670,126	S *	11/2012	Price	.....	D6/605
D687,655	S *	8/2013	Price	.....	D6/605
D705,580	S *	5/2014	Jorgensen	.....	D6/605
D707,986	S *	7/2014	Arnold	.....	D6/605
D724,865	S *	3/2015	Jensen	.....	D5/56
D728,277	S *	5/2015	Jensen	.....	D5/56
9,138,066	B1 *	9/2015	Goenka	.....	A47C 31/105
9,167,919	B2 *	10/2015	Walker	.....	A47C 27/007
D775,864	S *	1/2017	Bertoncello	.....	D6/605
D782,221	S *	3/2017	Wightman	.....	D6/605
9,808,202	B2 *	11/2017	Wu	.....	A61B 5/6892
D804,853	S *	12/2017	Wightman	.....	D6/605
D804,855	S *	12/2017	Ross	.....	D6/606
2010/0313356	A1 *	12/2010	Morter	.....	A47G 9/0246 5/497
2011/0099722	A1 *	5/2011	Moret	.....	A47C 27/056 5/701

\* cited by examiner

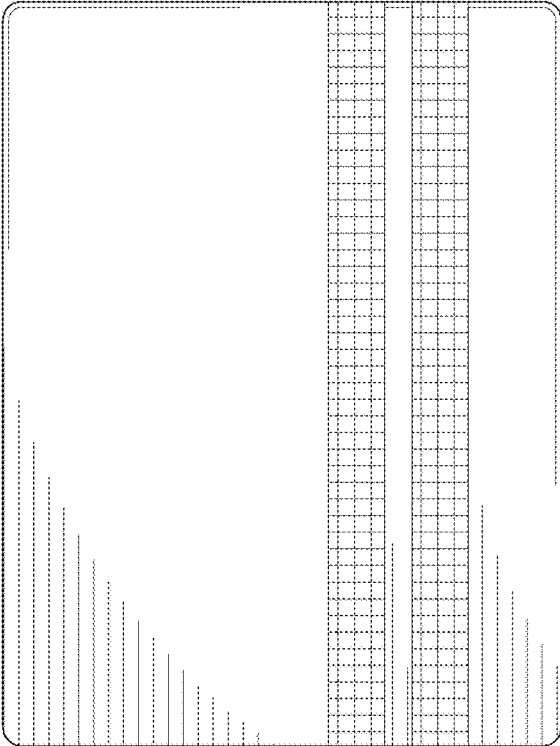


**Fig. 1**

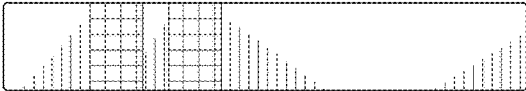
**Fig. 2**



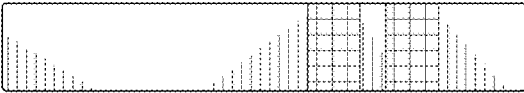
**Fig. 3**



**Fig. 4**



**Fig. 5**



**Fig. 6**



**Fig. 7**

