

(19) World Intellectual Property Organization
International Bureau



(43) International Publication Date
10 September 2004 (10.09.2004)

PCT

(10) International Publication Number
WO 2004/077230 A3

(51) International Patent Classification⁷: G06F 13/40, 9/445

[US/US]; 101 Bannerman Lane, Morrisville, NC 27560 (US). SCHNELL, Mark, G. [US/US]; 7929 Ragan Road, Apex, NC 27502 (US).

(21) International Application Number: PCT/US2004/003692

(74) Agent: SHOWALTER, Barton, E.; Baker & Botts, L.L.P., 2001 Ross Avenue, Suite 600, Dallas, TX 75201 (US).

(22) International Filing Date: 9 February 2004 (09.02.2004)

(25) Filing Language: English

(81) Designated States (unless otherwise indicated, for every kind of national protection available): AE, AG, AL, AM, AT, AU, AZ, BA, BB, BG, BR, BW, BY, BZ, CA, CH, CN, CO, CR, CU, CZ, DE, DK, DM, DZ, EC, EE, EG, ES, FI, GB, GD, GE, GH, GM, HR, HU, ID, IL, IN, IS, JP, KE, KG, KP, KR, KZ, LC, LK, LR, LS, LT, LU, LV, MA, MD, MG, MK, MN, MW, MX, MZ, NA, NI, NO, NZ, OM, PG, PH, PL, PT, RO, RU, SC, SD, SE, SG, SK, SL, SY, TJ, TM, TN, TR, TT, TZ, UA, UG, US, UZ, VC, VN, YU, ZA, ZM, ZW.

(26) Publication Language: English

(30) Priority Data: 10/373,559 24 February 2003 (24.02.2003) US

(71) Applicant (for all designated States except US): CISCO TECHNOLOGY, INC. [US/US]; 170 West Tasman Drive, San Jose, CA 95134 (US).

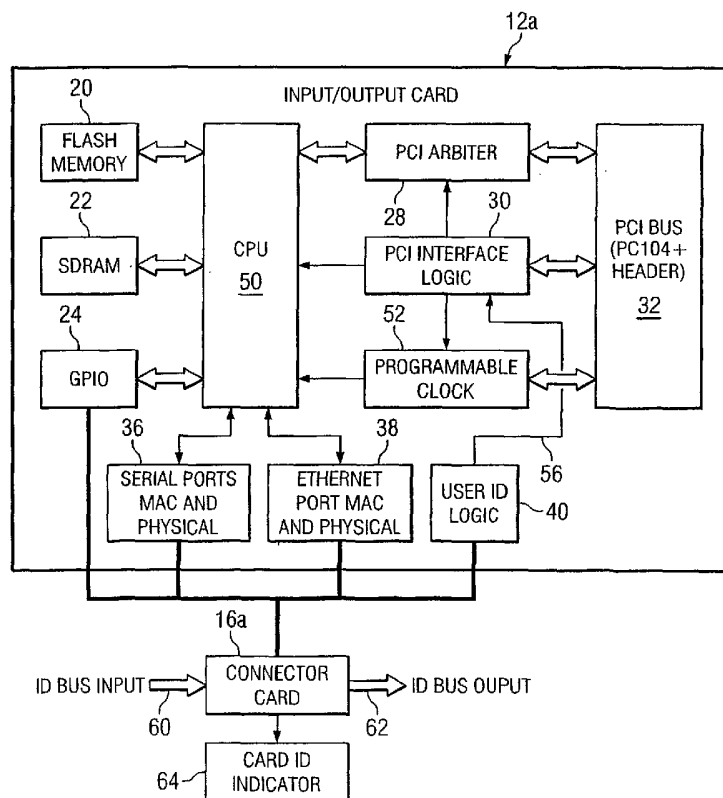
(72) Inventors; and

(84) Designated States (unless otherwise indicated, for every kind of regional protection available): ARIPO (BW, GH,

(75) Inventors/Applicants (for US only): MOON, Billy, G.

[Continued on next page]

(54) Title: SYSTEM AND METHOD FOR CONFIGURING AND DEPLOYING INPUT/OUTPUT CARDS IN A COMMUNICATIONS ENVIRONMENT



(57) Abstract: A method for communicating data is provided that includes storing one or more physical connectors associated with an input/output card and configuring the input/output card to a selected one of a slave, master, and passive mode. An identification for the input/output card may be provided to an end user, the identification reflecting a selected configuration parameter associated with the input/output card.

WO 2004/077230 A3



GM, KE, LS, MW, MZ, SD, SL, SZ, TZ, UG, ZM, ZW), Eurasian (AM, AZ, BY, KG, KZ, MD, RU, TJ, TM), European (AT, BE, BG, CH, CY, CZ, DE, DK, EE, ES, FI, FR, GB, GR, HU, IE, IT, LU, MC, NL, PT, RO, SE, SI, SK, TR), OAPI (BF, BJ, CF, CG, CI, CM, GA, GN, GQ, GW, ML, MR, NE, SN, TD, TG).

Published:

- *with international search report*
- *before the expiration of the time limit for amending the claims and to be republished in the event of receipt of amendments*

Declarations under Rule 4.17:

- *as to applicant's entitlement to apply for and be granted a patent (Rule 4.17(ii)) for all designations*
- *as to the applicant's entitlement to claim the priority of the earlier application (Rule 4.17(iii)) for all designations*

(88) Date of publication of the international search report:

9 December 2004

For two-letter codes and other abbreviations, refer to the "Guidance Notes on Codes and Abbreviations" appearing at the beginning of each regular issue of the PCT Gazette.

INTERNATIONAL SEARCH REPORT

International Application No
PCT/US2004/003692A. CLASSIFICATION OF SUBJECT MATTER
IPC 7 G06F13/40 G06F9/445

According to International Patent Classification (IPC) or to both national classification and IPC

B. FIELDS SEARCHED

Minimum documentation searched (classification system followed by classification symbols)
IPC 7 G06F H05K

Documentation searched other than minimum documentation to the extent that such documents are included in the fields searched

Electronic data base consulted during the international search (name of data base and, where practical, search terms used)

EPO-Internal, WPI Data

C. DOCUMENTS CONSIDERED TO BE RELEVANT

Category °	Citation of document, with indication, where appropriate, of the relevant passages	Relevant to claim No.
X	US 6 065 068 A (FOOTE GARRITT W) 16 May 2000 (2000-05-16) column 2, line 64 - column 3, line 20 column 7, line 28 - column 9, line 40 column 16, line 1 - line 61 column 17, line 5 - line 22 column 37, line 46 - line 53 figures 1A,2,4C,4D,13	1-20
A	US 2002/103995 A1 (HUMMEL MARK D ET AL) 1 August 2002 (2002-08-01) paragraphs '0037!', '0053!', '0055!', '0057!', '0061!', '0062!', '0069!', '0070!', '0093!', '0094!', '0127!', '0130!', '0131!; figures 2,5,13	1-20
A	US 6 178 445 B1 (DAWKINS GEORGE JOHN ET AL) 23 January 2001 (2001-01-23) abstract	1-20

 Further documents are listed in the continuation of box C. Patent family members are listed in annex.

° Special categories of cited documents :

A document defining the general state of the art which is not considered to be of particular relevance

E earlier document but published on or after the international filing date

L document which may throw doubts on priority claim(s) or which is cited to establish the publication date of another citation or other special reason (as specified)

O document referring to an oral disclosure, use, exhibition or other means

P document published prior to the international filing date but later than the priority date claimed

T later document published after the international filing date or priority date and not in conflict with the application but cited to understand the principle or theory underlying the invention

X document of particular relevance; the claimed invention cannot be considered novel or cannot be considered to involve an inventive step when the document is taken alone

Y document of particular relevance; the claimed invention cannot be considered to involve an inventive step when the document is combined with one or more other such documents, such combination being obvious to a person skilled in the art.

* & * document member of the same patent family

Date of the actual completion of the international search

25 October 2004

Date of mailing of the international search report

05/11/2004

Name and mailing address of the ISA

European Patent Office, P.B. 5818 Patentlaan 2
NL - 2280 HV Rijswijk
Tel. (+31-70) 340-2040, Tx. 31 651 epo nl,
Fax: (+31-70) 340-3016

Authorized officer

Braccini, G

INTERNATIONAL SEARCH REPORT

Information on patent family members

International Application No

PCT/US2004/003692

Patent document cited in search report	Publication date	Patent family member(s)	Publication date
US 6065068	A	16-05-2000	NONE
US 2002103995	A1	01-08-2002	NONE
US 6178445	B1	23-01-2001	NONE