

(19) World Intellectual Property Organization  
International Bureau



(43) International Publication Date  
29 December 2005 (29.12.2005)

PCT

(10) International Publication Number  
**WO 2005/122719 A3**

(51) International Patent Classification:  
*B65D 35/18* (2006.01)    *B67D 5/00* (2006.01)  
*B65D 37/00* (2006.01)    *B67D 5/62* (2006.01)  
*B65D 25/40* (2006.01)    *A47G 19/12* (2006.01)

GB, GD, GE, GH, GM, HR, HU, ID, IL, IN, IS, JP, KE, KG, KM, KP, KR, KZ, LC, LK, LR, LS, LT, LU, LV, MA, MD, MG, MK, MN, MW, MX, MZ, NA, NG, NI, NO, NZ, OM, PG, PH, PL, PT, RO, RU, SC, SD, SE, SG, SK, SL, SM, SY, TJ, TM, TN, TR, TT, TZ, UA, UG, US, UZ, VC, VN, YU, ZA, ZM, ZW.

(21) International Application Number:  
PCT/US2005/020026

(22) International Filing Date: 8 June 2005 (08.06.2005)

(25) Filing Language: English

(26) Publication Language: English

(30) Priority Data:  
60/577,872                      8 June 2004 (08.06.2004)    US

(84) Designated States (unless otherwise indicated, for every kind of regional protection available): ARIPO (BW, GH, GM, KE, LS, MW, MZ, NA, SD, SL, SZ, TZ, UG, ZM, ZW), Eurasian (AM, AZ, BY, KG, KZ, MD, RU, TJ, TM), European (AT, BE, BG, CH, CY, CZ, DE, DK, EE, ES, FI, FR, GB, GR, HU, IE, IS, IT, LT, LU, MC, NL, PL, PT, RO, SE, SI, SK, TR), OAPI (BF, BJ, CF, CG, CI, CM, GA, GN, GQ, GW, ML, MR, NE, SN, TD, TG).

**Published:**  
— with international search report  
— before the expiration of the time limit for amending the claims and to be republished in the event of receipt of amendments

(71) Applicant and  
(72) Inventor: COIFMAN, Robert, E. [US/US]; 1122 North High Street, Millville, NJ 08332 (US).

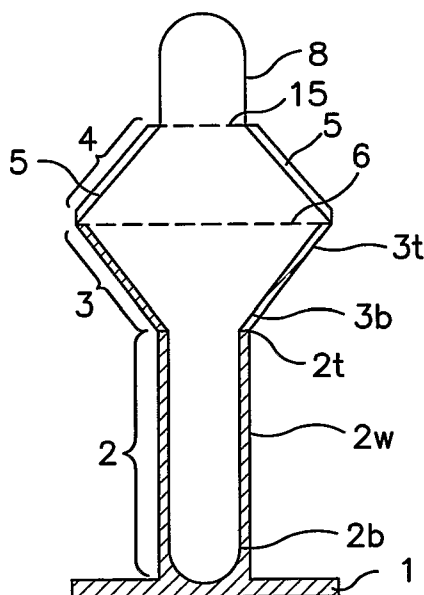
(74) Agents: LICATA, Jane, Massey et al.; Licata & Tyrrell P.C., 66 East Main Street, Marlton, NJ 08053 (US).

(88) Date of publication of the international search report:  
15 November 2007

(81) Designated States (unless otherwise indicated, for every kind of national protection available): AE, AG, AL, AM, AT, AU, AZ, BA, BB, BG, BR, BW, BY, BZ, CA, CH, CN, CO, CR, CU, CZ, DE, DK, DM, DZ, EC, EE, EG, ES, FI,

For two-letter codes and other abbreviations, refer to the "Guidance Notes on Codes and Abbreviations" appearing at the beginning of each regular issue of the PCT Gazette.

(54) Title: AMPULES FOR SMALL UNIT DOSE VOLUMES OF DRUG



(57) Abstract: Ampules are provided for the packaging and storage of drugs intended for nebulizer administration for which physical and/or chemical shelf life stability requires that the drug be stored in other than the diluent in which it will be nebulized, and in a volume or physical state that does not allow accurate dispensing from ordinary ampules.

WO 2005/122719 A3

**INTERNATIONAL SEARCH REPORT**

International application No.

PCT/US05/20026

**A. CLASSIFICATION OF SUBJECT MATTER**  
 IPC: **B65D 35/18**( 2006.01),**37/00**( 2006.01),**25/40**( 2006.01);**B67D 5/00**( 2006.01),**5/62**( 2006.01);**A47G 19/12**( 2006.01)  
  
 USPC: 222/80,106,145.1,206,457.5,460,461,462,527,572,574;220/86.2,667;215/11.3,900  
 According to International Patent Classification (IPC) or to both national classification and IPC

**B. FIELDS SEARCHED**  
 Minimum documentation searched (classification system followed by classification symbols)  
 U.S. : 222/80, 106, 145.1, 206, 457.5, 460, 461, 462, 527, 572, 574; 220/86.2, 667; 215/11.3, 900

Documentation searched other than minimum documentation to the extent that such documents are included in the fields searched

Electronic data base consulted during the international search (name of data base and, where practicable, search terms used)

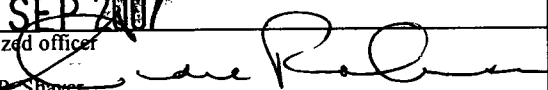
**C. DOCUMENTS CONSIDERED TO BE RELEVANT**

Category *	Citation of document, with indication, where appropriate, of the relevant passages	Relevant to claim No.
X ---	US 5,071,034 A (CORBIERE) 10 December 1991 (10.12.1991), see entire document.	1,2,7,8,10,12,13,15,19
Y		9,16,17
Y	US 2,717,598 A (KRASNO) 13 September 1955 (13.09.1955), see entire document.	9,16,17

Further documents are listed in the continuation of Box C.  See patent family annex.

\* Special categories of cited documents:

"A" document defining the general state of the art which is not considered to be of particular relevance	"T" later document published after the international filing date or priority date and not in conflict with the application but cited to understand the principle or theory underlying the invention
"E" earlier application or patent published on or after the international filing date	"X" document of particular relevance; the claimed invention cannot be considered novel or cannot be considered to involve an inventive step when the document is taken alone
"L" document which may throw doubts on priority claim(s) or which is cited to establish the publication date of another citation or other special reason (as specified)	"Y" document of particular relevance; the claimed invention cannot be considered to involve an inventive step when the document is combined with one or more other such documents, such combination being obvious to a person skilled in the art
"O" document referring to an oral disclosure, use, exhibition or other means	"&" document member of the same patent family
"P" document published prior to the international filing date but later than the priority date claimed	

Date of the actual completion of the international search 07 March 2007 (07.03.2007)	Date of mailing of the international search report <b>26 SEP 2007</b>
Name and mailing address of the ISA/US Mail Stop PCT, Attn: ISA/US Commissioner for Patents P.O. Box 1450 Alexandria, Virginia 22313-1450 Facsimile No. (571) 273-3201	Authorized officer Kevin P. Shaver  Telephone No. (571) 272-3750