

(19) World Intellectual Property Organization
International Bureau



(43) International Publication Date
19 January 2006 (19.01.2006)

PCT

(10) International Publication Number
WO 2006/007284 A3

(51) International Patent Classification:
A61B 18/18 (2006.01)

(74) Agents: RYAN, Daniel, D. et al.; P.O. Box 26618, Milwaukee, WI 53226-0618 (US).

(21) International Application Number:
PCT/US2005/019769

(81) Designated States (unless otherwise indicated, for every kind of national protection available): AE, AG, AL, AM, AT, AU, AZ, BA, BB, BG, BR, BW, BY, BZ, CA, CH, CN, CO, CR, CU, CZ, DE, DK, DM, DZ, EC, EE, EG, ES, FI, GB, GD, GE, GH, GM, HR, HU, ID, IL, IN, IS, JP, KE, KG, KM, KP, KR, KZ, LC, LK, LR, LS, LT, LU, LV, MA, MD, MG, MK, MN, MW, MX, MZ, NA, NG, NI, NO, NZ, OM, PG, PH, PL, PT, RO, RU, SC, SD, SE, SG, SK, SL, SM, SY, TJ, TM, TN, TR, TT, TZ, UA, UG, US, UZ, VC, VN, YU, ZA, ZM, ZW.

(22) International Filing Date: 6 June 2005 (06.06.2005)

(25) Filing Language: English

(26) Publication Language: English

(30) Priority Data:
60/581,396 21 June 2004 (21.06.2004) US

(71) Applicant (for all designated States except US): CURON MEDICAL, INC. [US/US]; 46117 Landing Parkway, Fremont, CA 94538-6407 (US).

(84) Designated States (unless otherwise indicated, for every kind of regional protection available): ARIPO (BW, GH, GM, KE, LS, MW, MZ, NA, SD, SL, SZ, TZ, UG, ZM, ZW), Eurasian (AM, AZ, BY, KG, KZ, MD, RU, TJ, TM), European (AT, BE, BG, CH, CY, CZ, DE, DK, EE, ES, FI, FR, GB, GR, HU, IE, IS, IT, LT, LU, MC, NL, PL, PT, RO, SE, SI, SK, TR), OAPI (BF, BJ, CF, CG, CI, CM, GA, GN, GQ, GW, ML, MR, NE, SN, TD, TG).

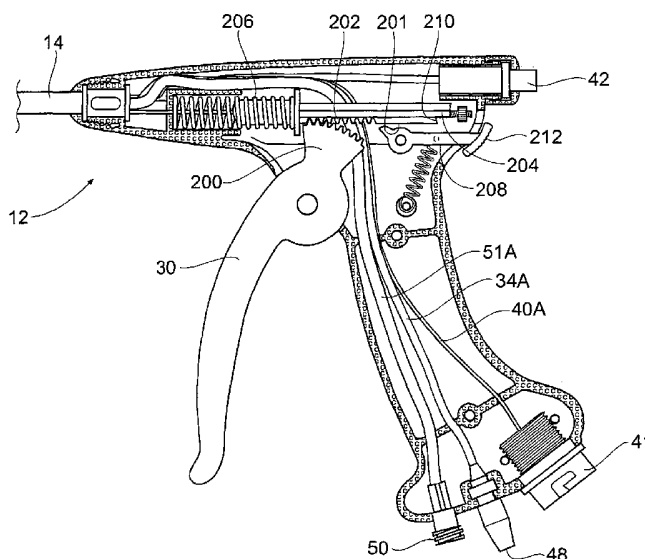
(72) Inventors; and

(75) Inventors/Applicants (for US only): FORD, John [US/US]; 364 Montcello Avenue, San Jose, CA 95125 (US). WEST, Scott [US/US]; 1627 Feldspar Court, Livermore, CA 94550 (US). GAISER, John, W. [US/US]; 373 Paul Avenue, Mountain View, CA 94041 (US). RIMROTH, Patrick [US/US]; 1018 Blue Mist Place, San Jose, CA 95120 (US).

Published:
— with international search report

[Continued on next page]

(54) Title: SYSTEMS AND METHODS FOR TREATING TISSUE REGIONS OF THE BODY



(57) Abstract: Systems and methods deploy an electrode from a catheter assembly. The systems and methods provide a catheter handle having a trigger lever adapted to carry an actuator rod. The actuator rod is adapted to cause movement of the electrode between a retracted position and an extended position. A pinion is carried by the trigger lever for engagement with a rack carried by the actuator rod. Compression of the trigger lever moves the rack along the actuator rod between a first position corresponding to the electrodes being in the retracted position and a second position corresponding to either the primed electrode firing position or the electrodes being in an extended position.

WO 2006/007284 A3



— *before the expiration of the time limit for amending the claims and to be republished in the event of receipt of amendments*

For two-letter codes and other abbreviations, refer to the "Guidance Notes on Codes and Abbreviations" appearing at the beginning of each regular issue of the PCT Gazette.

(88) Date of publication of the international search report:

12 October 2006

INTERNATIONAL SEARCH REPORT

International application No.

PCT/US05/19769

A. CLASSIFICATION OF SUBJECT MATTER

IPC: **A61B 18/18**(2006.01)

USPC: 606/41

According to International Patent Classification (IPC) or to both national classification and IPC

B. FIELDS SEARCHED

Minimum documentation searched (classification system followed by classification symbols)
U.S. : 606/41, 45-52, 139-143,205,206

Documentation searched other than minimum documentation to the extent that such documents are included in the fields searched

Electronic data base consulted during the international search (name of data base and, where practicable, search terms used)

C. DOCUMENTS CONSIDERED TO BE RELEVANT

Category *	Citation of document, with indication, where appropriate, of the relevant passages	Relevant to claim No.
X	US 5,782,844 A (YOON et al) 21 July 1998, whole document	1-7, 9-19,21-26,30,31,35-42
X	US 5,980,519 A (HAHNEN et al) 09 November 1999, Figures 3,5	1-4,6,8-16,18,20-26,30,31,35-42
A	US 5,478,350 A (KRATSCH et al) 26 December 1995, whole document	1-48
A,T	US 2005/0288664 A I (FORD et al) 29 December 2005, whole document	1-48

<input type="checkbox"/> Further documents are listed in the continuation of Box C.	<input type="checkbox"/> See patent family annex.
* Special categories of cited documents:	"T" later document published after the international filing date or priority date and not in conflict with the application but cited to understand the principle or theory underlying the invention
"A" document defining the general state of the art which is not considered to be of particular relevance	"X" document of particular relevance; the claimed invention cannot be considered novel or cannot be considered to involve an inventive step when the document is taken alone
"E" earlier application or patent published on or after the international filing date	"Y" document of particular relevance; the claimed invention cannot be considered to involve an inventive step when the document is combined with one or more other such documents, such combination being obvious to a person skilled in the art
"L" document which may throw doubts on priority claim(s) or which is cited to establish the publication date of another citation or other special reason (as specified)	"&" document member of the same patent family
"O" document referring to an oral disclosure, use, exhibition or other means	
"P" document published prior to the international filing date but later than the priority date claimed	

Date of the actual completion of the international search 26 June 2006 (26.06.2006)	Date of mailing of the international search report 17 AUG 2006
Name and mailing address of the ISA/US Mail Stop PCT, Attn: ISA/US Commissioner for Patents P.O. Box 1450 Alexandria, Virginia 22313-1450 Facsimile No. (571) 273-3201	Authorized officer For Linda Dvorak <i>J. Libby</i> Telephone No. (703) 308-0858