



US00D970443S

(12) **United States Design Patent**
Luo

(10) **Patent No.:** **US D970,443 S**

(45) **Date of Patent:** **** Nov. 22, 2022**

(54) **POWER CONVERTER**

(71) Applicant: **Juan Luo**, Guangdong (CN)

(72) Inventor: **Juan Luo**, Guangdong (CN)

(**) Term: **15 Years**

(21) Appl. No.: **29/795,933**

(22) Filed: **Jun. 22, 2021**

(51) **LOC (13) Cl.** **13-02**

(52) **U.S. Cl.**
USPC **D13/110**

(58) **Field of Classification Search**
USPC D13/101, 102, 103, 107, 108, 110, 118,
D13/119, 123, 184, 199; D14/251, 253,
D14/432, 434

CPC .. H02J 7/00; H02J 7/027; H02J 7/0042; H02J
7/0045; H02J 7/0047; H02J 7/0063; H02J
7/32; H02J 7/342; H02J 7/1423; H02M
7/00; H02M 7/003; H01M 2/202; H01M
2/204; H01M 2/1022; H01M 2/342;
H05K 5/0247; Y02T 10/7005; Y02T
10/705; Y02T 10/7088; F21L 4/00

See application file for complete search history.

(56) **References Cited**

U.S. PATENT DOCUMENTS

D425,017 S *	5/2000	Leung	D13/110
D661,250 S *	6/2012	Andersson	D13/110
D743,330 S *	11/2015	Zhang	D13/107
D776,610 S *	1/2017	Nommensen	D13/103
D913,227 S *	3/2021	Chen	D13/110
D919,566 S *	5/2021	Chen	D13/108

* cited by examiner

Primary Examiner — Derrick E Holland

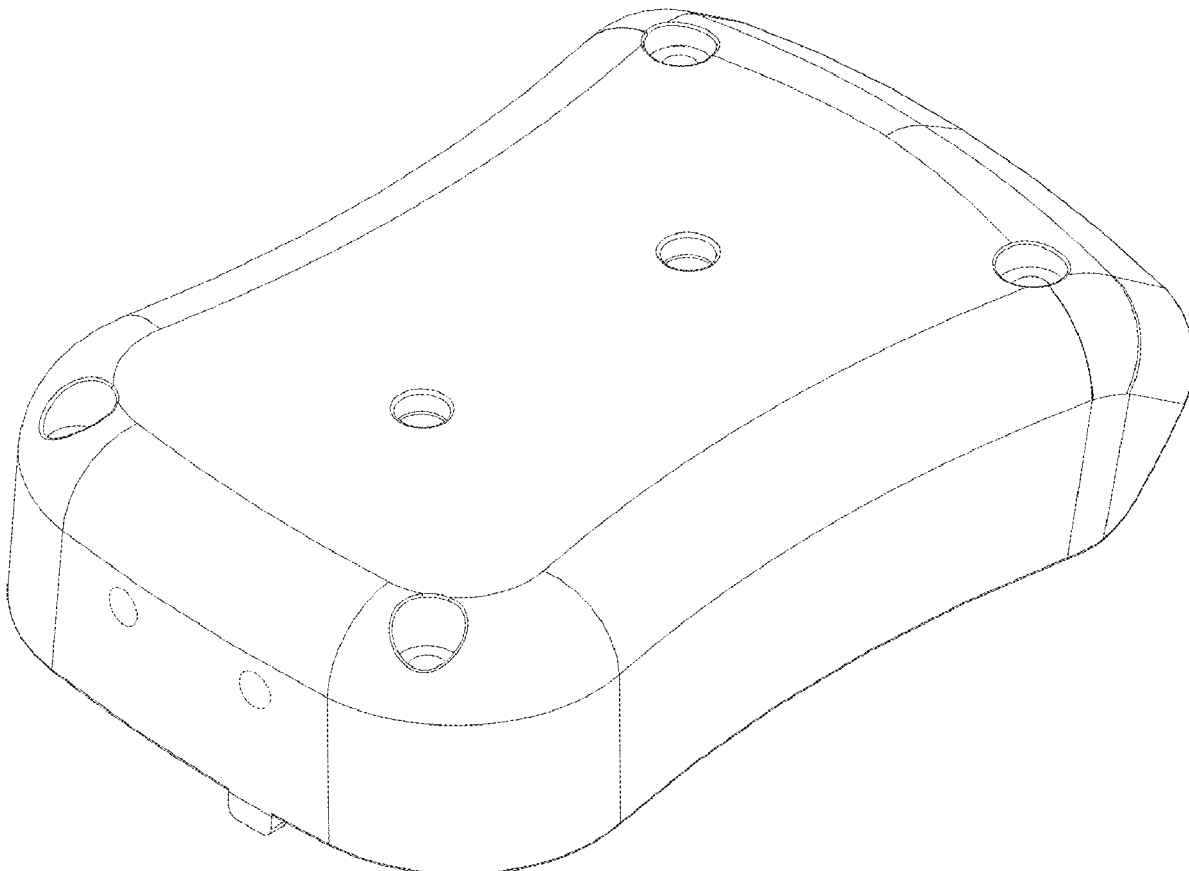
(57) **CLAIM**

The ornamental design for a power converter, as shown and described.

DESCRIPTION

FIG. 1 is a front elevational view of a power converter showing my new design;
FIG. 2 is a left side view thereof;
FIG. 3 is a right side view thereof;
FIG. 4 is a top plan view thereof;
FIG. 5 is a bottom plan view thereof;
FIG. 6 is a perspective view thereof; and,
FIG. 7 is another perspective view thereof.
The broken lines shown represent the portions of the power converter that form no part of the claimed design.

1 Claim, 7 Drawing Sheets



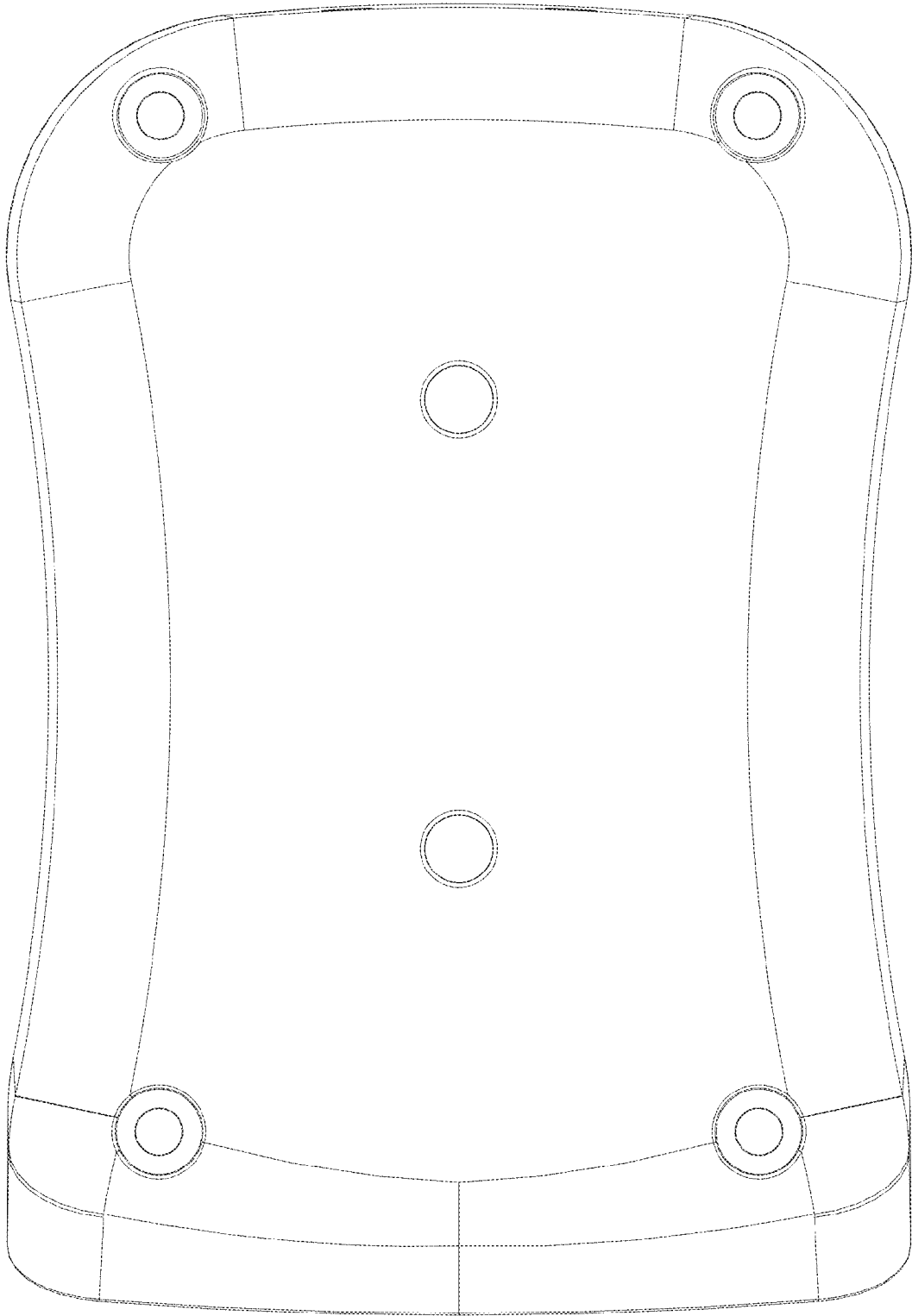


FIG. 1

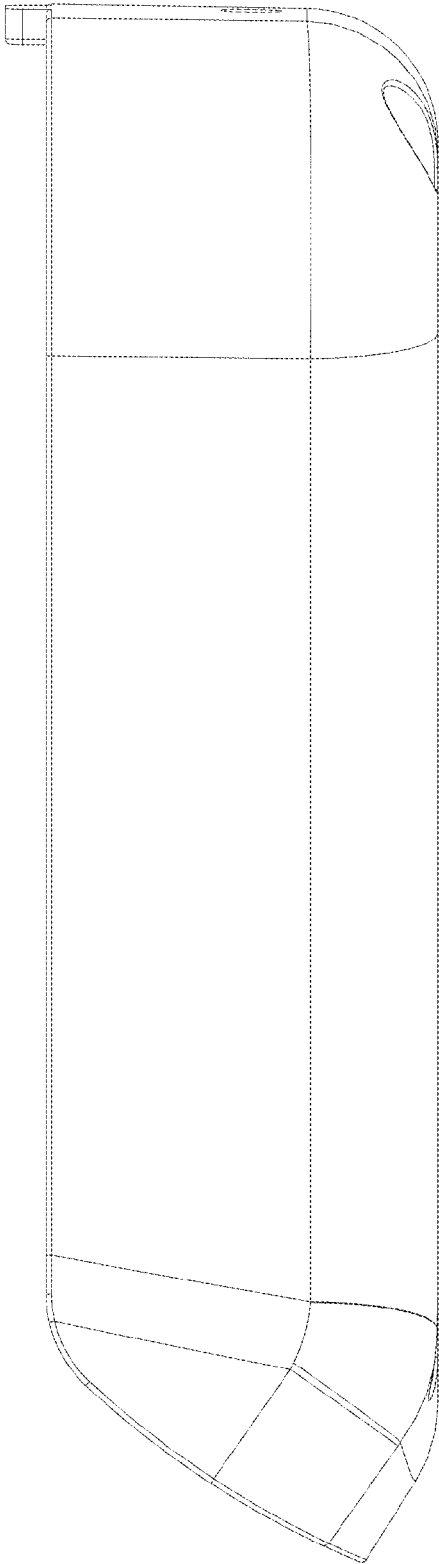


FIG. 2

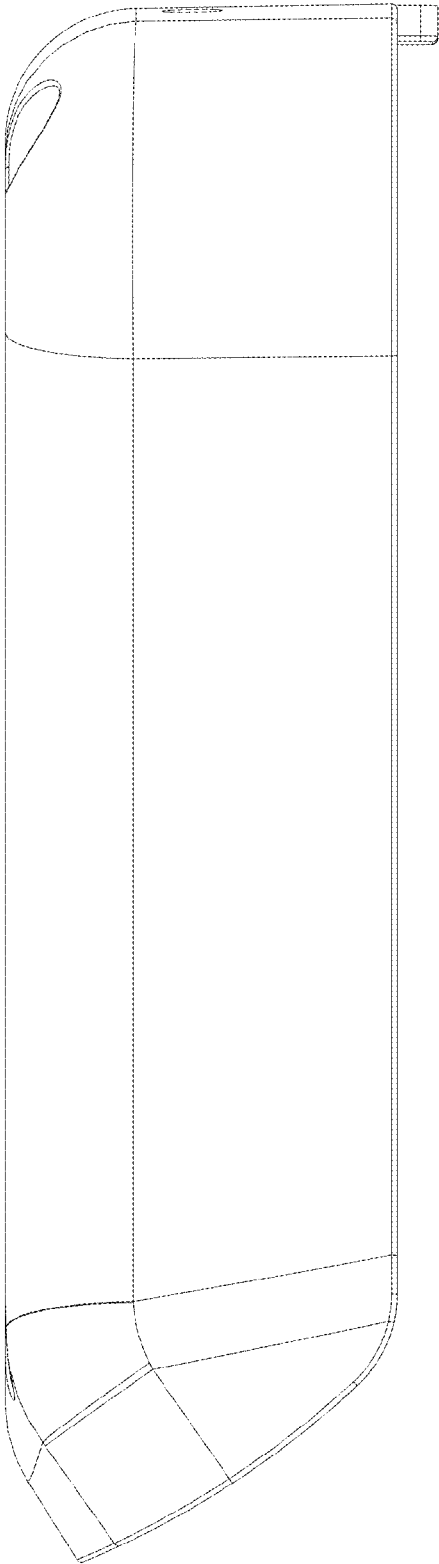


FIG. 3

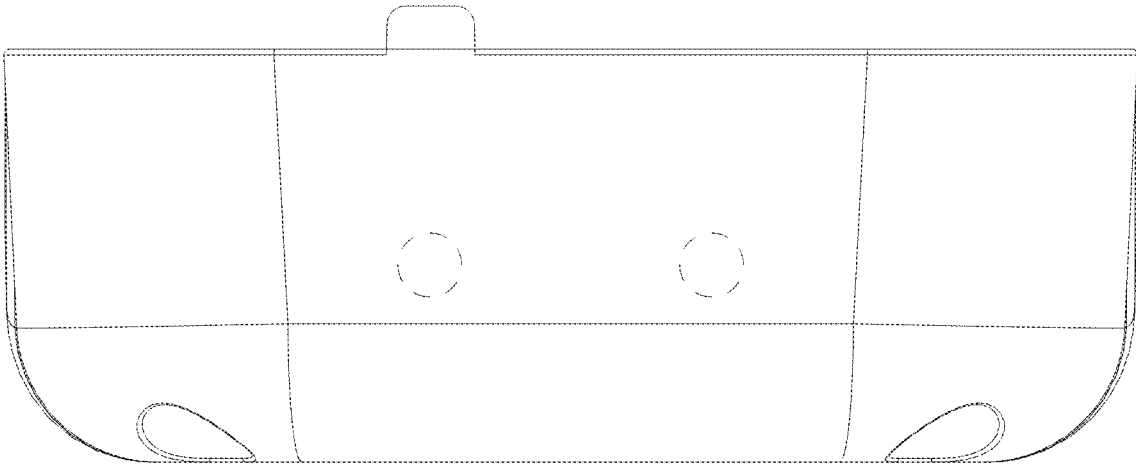


FIG. 4

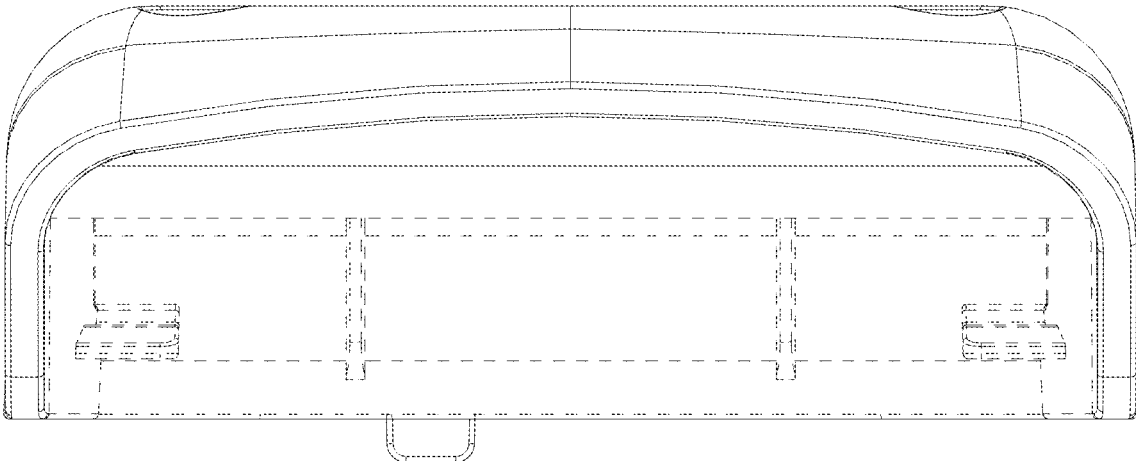


FIG. 5

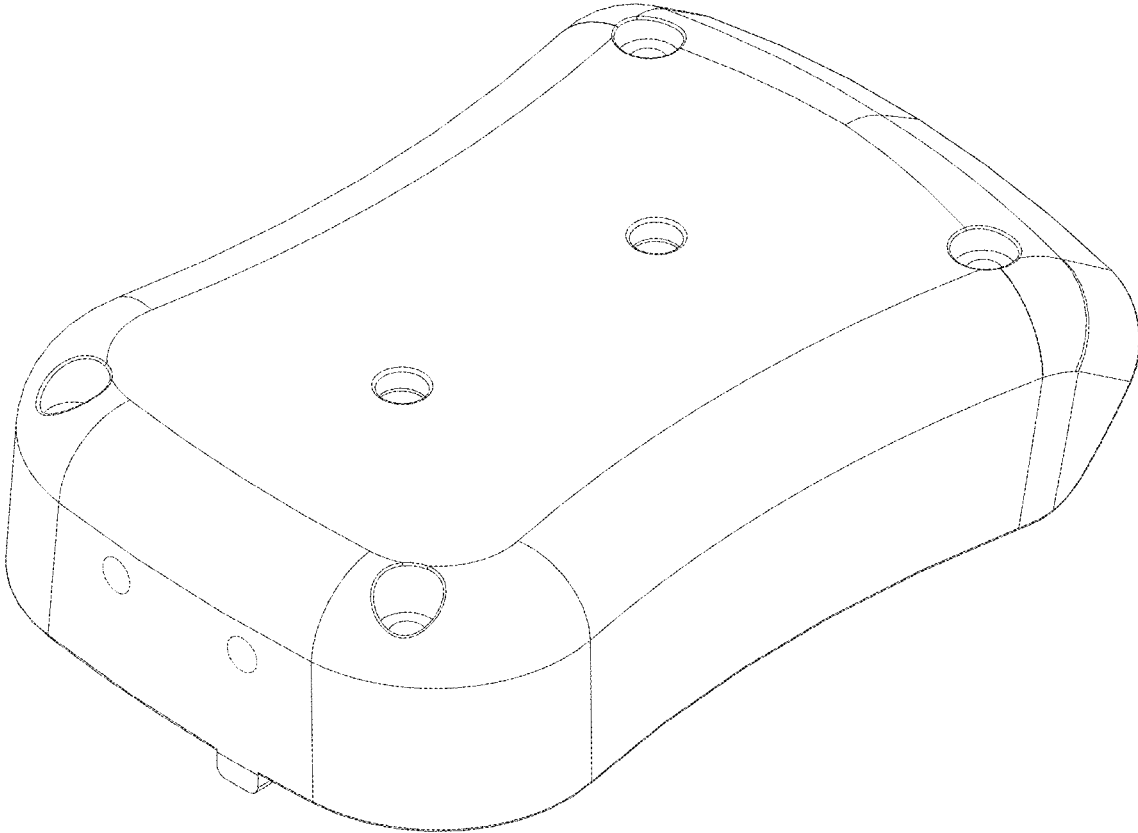


FIG. 6

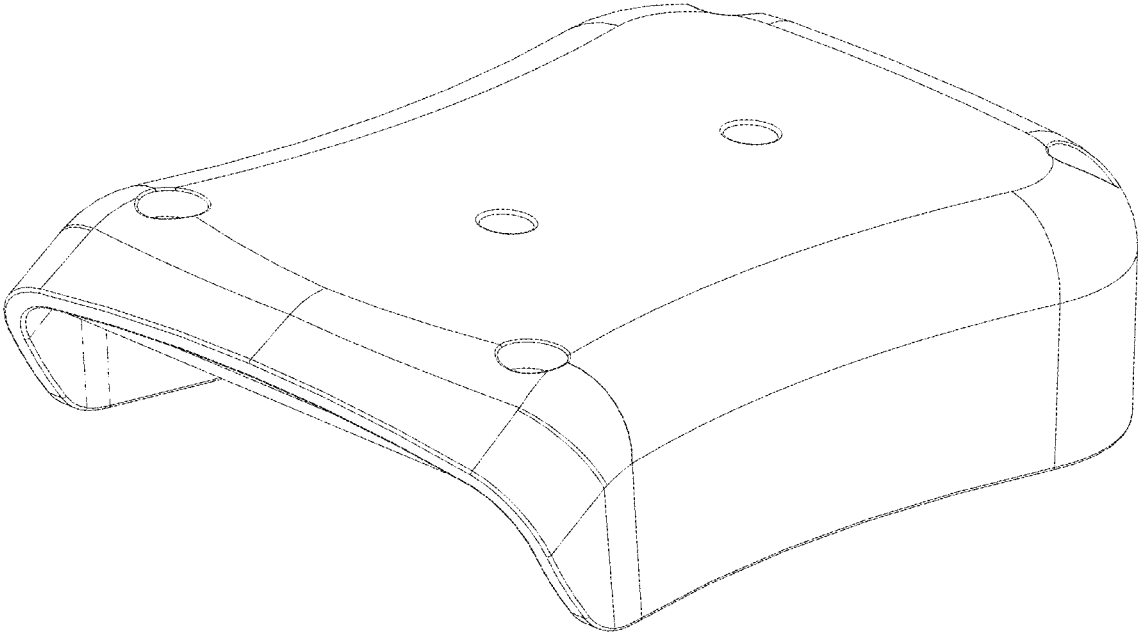


FIG. 7