

(12) PATENT ABRIDGMENT (11) Document No. AU-B-31271/89
(19) AUSTRALIAN PATENT OFFICE (10) Acceptance No. 615723

(54) Title
MANUFACTURING CONTAINERS
International Patent Classification(s)
(51)⁴ **B65D 077/12 B29C 051/10 B65D 083/06 B65D 085/82**
(21) Application No. : **31271/89** (22) Application Date **14.03.89**
(30) Priority Data
(31) Number (32) Date (33) Country
8806256 16.03.88 GB UNITED KINGDOM
(43) Publication Date **21.09.89**
(44) Publication Date of Accepted Application **10.10.91**
(71) Applicant(s)
NOMIX MANUFACTURING COMPANY LIMITED
(72) Inventor(s)
DAVID CHARLES GILL
(74) Attorney or Agent
ALVIN LORD & COMPANY , 4 Douro Place, WEST PERTH WA 6005
(56) Prior Art Documents
AU 81224/75 B65D
AU 527750 67528/81 A01C
GB 2041318

(57) Claim

1. A method of manufacturing a liquid-filled container comprising a rigid housing, the interior of which is divided into two compartments by a flexible wall (8), the method comprising:
 - i) securing the flexible wall (8) in a liquid-tight manner to a peripheral edge (6) of a first rigid housing part (2) which first rigid housing part (2) includes an opening (4) for the passage of liquid;
 - ii) causing the flexible wall (8) to undergo plastic deformation into a predetermined configuration which is complementary to the internal configuration of the first housing part (2);
 - iii) securing a second rigid housing part to the first rigid housing part (2) to enclose the flexible wall, the second rigid housing part having a vent hole for the passage of air;
 - iv) displacing the flexible wall (8) against the internal

(11) AU-B-31271/89
(10) 615723

-2-

surface of the first rigid housing part (2);
v) filling the container with a liquid introduced through the opening (4) in the first rigid housing part (2) to cause the flexible wall (8) to be displaced away from the internal wall of the first rigid housing part (2), air being vented through the vent hole in the second rigid housing part.

COMPLETE SPECIFICATION

(ORIGINAL)

615723

FOR OFFICE USE:

Application Number:
Lodged:

Class

Int. Class

Complete Specification Lodged:
Accepted:
Published:

Priority:

Related Art:

Name of Applicant(s): NOMIX MANUFACTURING COMPANY LIMITED

Address of Applicant(s): PORTLAND BUILDING
PORTLAND STREET
STAPLE HILL
BRISTOL BS16 4PS
UNITED KINGDOM

Actual Inventor(s): DAVID CHARLES GILL

Address for Service: Kelvin Lord & Co.,
4 Douro Place,
WEST PERTH,
Western Australia 6005.

Complete Specification for the invention entitled:

MANUFACTURING CONTAINERS

MANUFACTURING CONTAINERS

This invention relates to a method of manufacturing containers, and is particularly, although not exclusively, concerned with the manufacture of
5 containers for herbicide, in which containers the herbicide can be packaged for sale and from which the herbicide can be passed directly to a delivery device, without dilution or mixing with other components, for distribution over the ground.

10 There exist hand-held lances for delivering herbicide which comprise a handset and a delivery head which is connected to the handset by a tubular support. The handset is held by the operator and the tubular support enables him to position the delivery head just
15 above the ground to be treated.

It is conventional for the herbicide to be supplied to the lance from a container which may be supported over the shoulder of the operator or carried in a back-pack. One form of known container is a
20 collapsible bag, for example, of plastics material, which is accommodated in a rigid casing, such as a cardboard box. Such containers are similar to those which are sometimes used for packaging wine. This however is a relatively expensive form of packaging,
25 since it is necessary not only to form and fill the bags, but also to form the cardboard boxes and then to insert the filled bags into the boxes.

It is also known to fit a container directly to the lance, for example by screwing the mouth of the
30 container to a socket provided on the lance. However, this entails the danger of spilling the herbicide, particularly if the herbicide is supplied to the user in a larger vessel, and has to be transferred by the user to the container which is fitted to the lance.

35 According to the present invention there is provided a method of manufacturing ^{liquid-filled} a container



comprising a rigid housing, the interior of which is divided into two compartments by a flexible wall (8), the method comprising:

- 5 i) securing the flexible wall (8) in a liquid-tight manner to a peripheral edge (6) of a first rigid housing part (2) which first rigid housing part (2) includes an opening (4) for the passage of liquid;
- 10 ii) causing the flexible wall (8) to undergo plastic deformation into a predetermined configuration which is complementary to the internal configuration of the first housing part (2);
- iii) securing a second rigid housing part to the first rigid housing part (2) to enclose the flexible wall, the second rigid housing part having a vent hole for the
15 passage of air;
- iv) displacing the flexible wall (8) against the internal surface of the first rigid housing part (2);
- v) filling the container with a liquid introduced through
20 the opening (4) in the first rigid housing part (2) to cause the flexible wall (8) to be displaced away from the internal wall of the first rigid housing part (2), air being vented through the vent hole in the second rigid housing part.

In a preferred embodiment, the rigid housing part and the
25 flexible wall are made from compatible plastics materials, and are secured together by heat sealing. Also, the rigid housing part is preferably one of two such parts, the second housing part being secured, for example by heat



sealing, to the assembly of the first housing part and the flexible wall to provide a rigid outer casing for the container, the interior of the casing being divided into two compartments by the flexible wall.

- 5 In order to assist plastic deformation of the flexible wall, it is preferably softened by heating before it is deformed.

The required configuration for the flexible wall may be achieved by deforming it into contact with the mould
10 surface. The mould surface may comprise the surface of a moulding device superimposed over the flexible wall, on the side away from the housing part. The flexible wall may then be deformed into contact with the mould surface by applying suction between the mould surface and the flexible
15 wall, and/or by admitting air into the cavity between the housing part and the flexible wall through an aperture in the housing part. The aperture may, for example, be intended to receive a fitting for enabling the flow of material into and out of the finished container.

- 20 In an alternative method, the mould surface may comprise the internal surface of the housing part. Thus, the flexible wall may be deformed by means of a



former which is inserted into the housing part. Means may be provided for directing air, possibly heated air, at the flexible wall prior to, and during, the deformation step.

5 By securing the flexible wall to the housing part before the flexible wall is deformed, it is possible to avoid creasing of the flexible wall at the periphery of the housing part, which creasing could result in inadequate sealing and possible leakage.

10 By deforming the flexible wall, it is possible to impart to the flexible wall a configuration which will conform closely to the internal surface of the housing part so that the volume of the space between the housing part and the flexible wall can be reduced
15 substantially to zero without creating tension in the flexible wall. Thus, substantially all of the contents of the container can flow from the container under gravity.

For a better understanding of the present
20 invention, and to show how it may be carried into effect, reference will now be made, by way of example, to the accompanying drawings, in which:

Figure 1 is a diagrammatic perspective view of one stage in the manufacture of a container;

25 Figure 2 is a diagrammatic perspective view of a second stage in the manufacture of a container; and

Figure 3 corresponds to Figure 2 but represents an alternative second stage.

Figure 4 shows a housing part 2 for a container.
30 The housing part 2 is formed from plastics material and has a shape which enables the finished container to cooperate with a herbicide delivery lance in such a way that the container can be fitted to the lance to enable the contents of the container to be fed to a delivery
35 head for distribution over the ground. The housing part 2 also has an aperture 4 which, in the finished

container, receives a fitting through which the container is filled with herbicide, and through which the herbicide flows towards the delivery means.

The housing part 2 has a peripheral flange 6 which presents a flat sealing surface lying in a single plane. As shown in Figure 1, a film 8 of flexible plastics material, such as low density polyethylene, is laid over the housing part 2 in contact with the flange 6. A heating ring 10 (shown only diagrammatically in Figure 1, is brought down on to the film 8 over the flange 6, in order to heat seal the film 8 to the housing part 2. Excess material is then trimmed from the film 8, leaving a relatively taut wall of plastics material secured across the housing part 2.

Referring to Figure 2 (which shows the film 8 untrimmed for clarity), a moulding device 12 is shown positioned a short distance above the housing part 2 with the attached flexible wall 8. The device 12 has an internal surface which is complementary to that of the housing part 2. Holes 14 are provided in the device 12 and are connected on the upper side of the device to air supply and extraction means (not shown).

The moulding device 12 is brought to a position a short distance (for example, approximately 3mm) above the flexible wall 8, and hot air is directed at the flexible wall 8 through the holes 14. This heats the material of the wall 8, so softening it. When the flexible wall 8 is at a required temperature, the device 12 is lowered into contact with the flange 6 to provide an air-tight seal, and suction is applied to the holes 14 to draw the softened flexible wall 8 into contact with the mould surface on the device 12. At the same time, air is drawn into the housing part 2 through the aperture 4. It will be appreciated that, instead of applying suction to the holes 14, the flexible wall 8 could be displaced by admitting air

under pressure through the hole 4, with the aperture 14 being vented.

By displacing the softened material of the flexible wall 8 into contact with the mould surface on the device 12, the material is stretched at various places, and undergoes plastic deformation. When the flexible wall 8 is cooled, for example by admitting cold air through the opening 4, the flexible wall 8 will retain the configuration of the mould surface on the device 12, although it will, of course, remain flexible.

Subsequently, cold air is admitted through the holes 14, to force the flexible wall 8 into contact with the internal surface of the housing part 2. A second housing part can then be secured, for example by heat sealing, to the peripheral flange 6, and an appropriate fitting can be inserted into the aperture 4. The second housing part preferably has a vent hole to allow air to flow into and out of the space between the flexible wall 8 and the second housing part.

The completed container can then be filled with products, such as herbicide, through the fitting in the aperture 4. During the filling process, the flexible wall 8 is displaced away from the interior surface of the housing part 2 into contact with the interior surface of the other housing part. Similarly, when the herbicide is withdrawn from the container, the flexible wall 8 moves back again towards the housing part 2, eventually ending up in close contact with that interior surface, thus enabling substantially all of the herbicide to be withdrawn.

Figure 3 represents an alternative procedure for applying the required configuration to the flexible wall 8. In the embodiment of Figure 3, the moulding device 12 is replaced by a former 16, for example of aluminium, provided with through holes 18.

After the flexible wall 8 has been secured to the peripheral flange 6, the former 16, which is heated, is lowered into contact with the flexible wall 8 so as to heat it, the heating effect being assisted by hot air introduced through the holes 18. As the former descends into the housing part 2, the softened flexible wall 8 is stretched, both by the former itself and by the air introduced through the holes 18, into close contact with the internal surface of the housing part 2. When the flexible wall 8 has made contact over the entire internal surface of the housing part 2, cold air is introduced through the holes 18 in order to cool the flexible wall 8, and cold air is also introduced through the aperture 4 in order to displace the flexible wall 8 away from the internal surface of the housing part 2. A second housing part is then applied to the housing part 2, and the container can then be filled with product as discussed above.

In order to improve sealing in the formed container, it may be desirable to include PTFE (polytetrafluorethylene) in the air flow through the aperture 4, in order to coat the internal surface of the cavity formed between the housing part 2 and the flexible wall 8.

The claims defining the invention are as follows:-

1. A method of manufacturing a liquid-filled container comprising a rigid housing, the interior of which is divided into two compartments by a flexible wall (8), the
5 method comprising:
 - i) securing the flexible wall (8) in a liquid-tight manner to a peripheral edge (6) of a first rigid housing part (2) which first rigid housing part (2) includes an opening (4) for the passage of liquid;
 - 10 ii) causing the flexible wall (8) to undergo plastic deformation into a predetermined configuration which is complementary to the internal configuration of the first housing part (2);
 - iii) securing a second rigid housing part to the first
15 rigid housing part (2) to enclose the flexible wall, the second rigid housing part having a vent hole for the passage of air;
 - iv) displacing the flexible wall (8) against the internal surface of the first rigid housing part (2);
 - 20 v) filling the container with a liquid introduced through the opening (4) in the first rigid housing part (2) to cause the flexible wall (8) to be displaced away from the internal wall of the first rigid housing part (2), air being vented through the vent hole in the second rigid
25 housing part.
2. A method as claimed in claim 1, characterised in that the flexible wall (8) is secured to the peripheral edge (6) of the first housing part (2) by heat sealing.
3. A method as claimed in claim 1, characterised in that



the flexible wall (8) is softened by heating before deformation into the predetermined configuration.

4. A method as claimed in claim 1, characterised in that the flexible wall (8) is deformed by forcing it into contact with a mould surface.

5. A method as claimed in claim 4, characterised in that the mould surface is provided on a moulding device (12) engaged with the first housing part (2).

6. A method as claimed in claim 5, characterised in that the flexible wall (8) is deformed by withdrawing air, through holes (14) provided in the moulding device (12), from the cavity defined between the flexible wall (8) and the moulding device (12).

7. A method as claimed in claim 5 or 6, characterised in that the flexible wall (8) is deformed by admitting air, through an aperture (4) in the first housing part, into the cavity defined between the first housing part (2) and the flexible wall (8).

8. A method as claimed in claim 4, characterised in that the mould surface comprises the internal surface of the first rigid housing part (2).

9. A method as claimed in claim 8, characterised in that the flexible wall (8) is deformed into contact with the internal surface of the first rigid housing part by means of a former (16) which is inserted into the first housing part (2).

10. A method as claimed in claim 9, characterised in that means (18) is provided for blowing air through the former (16) at the flexible wall (8).



11. A method as claimed in claim 9, characterised in that means is provided for heating the former.

12. A method as claimed in any one of the preceding claims, characterised in that the liquid with which the
5 container is filled is a herbicide.

13. A method of manufacturing a container substantially as described herein with reference to, and as shown in, Figures 1 and 2 or 1 and 3 of the accompanying drawings.

14. A container manufactured in accordance with any one of
10 the preceding claims.

DATED JULY 22 1991

NOMIX MANUFACTURING COMPANY

15

LIMITED

By their Patent Attorneys

KELVIN LORD AND COMPANY

PERTH, WESTERN AUSTRALIA

20

25



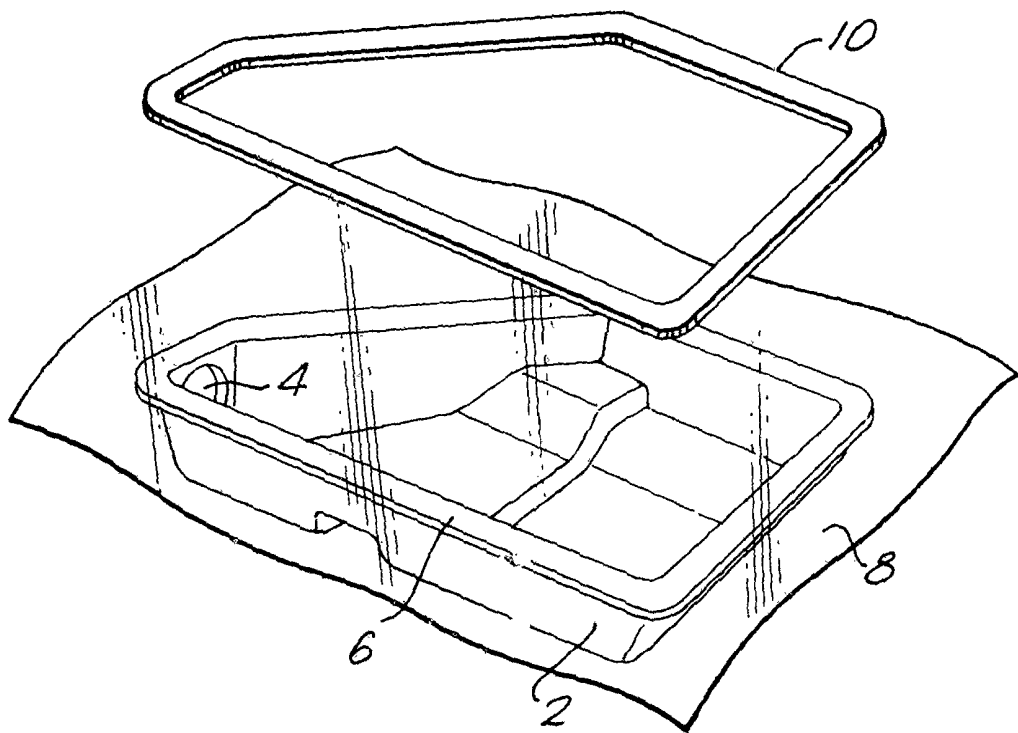


FIG. 1.

31271/89

