



- (51) **International Patent Classification:**
B67D 1/04 (2006.01) B67D 1/08 (2006.01)
- (21) **International Application Number:**
PCT/US2019/062401
- (22) **International Filing Date:**
20 November 2019 (20.11.2019)
- (25) **Filing Language:** English
- (26) **Publication Language:** English
- (30) **Priority Data:**
62/770,299 21 November 2018 (21.11.2018) US
- (71) **Applicant:** CORAVIN, INC. [US/US]; 28 Crosby Drive, Suite 101, Bedford, MA 01730 (US).
- (72) **Inventors:** RIDER, Michael; 3 Nob Way, Lowell, MA 01852 (US). SWEEZEY, Andrew S.; 46 Converse Avenue #3, Malden, MA 02148 (US). VOGT, Chris; 109 Willow Ave., #3, Somerville, MA 02144 (US).
- (74) **Agent:** HUNT, Robert E. et al.; Wolf, Greenfield & Sacks, P.C., 600 Atlantic Avenue, Boston, MA 02210-2206 (US).
- (81) **Designated States** (unless otherwise indicated, for every kind of national protection available): AE, AG, AL, AM, AO, AT, AU, AZ, BA, BB, BG, BH, BN, BR, BW, BY, BZ,

CA, CH, CL, CN, CO, CR, CU, CZ, DE, DJ, DK, DM, DO, DZ, EC, EE, EG, ES, FI, GB, GD, GE, GH, GM, GT, HN, HR, HU, ID, IL, IN, IR, IS, JO, JP, KE, KG, KH, KN, KP, KR, KW, KZ, LA, LC, LK, LR, LS, LU, LY, MA, MD, ME, MG, MK, MN, MW, MX, MY, MZ, NA, NG, NI, NO, NZ, OM, PA, PE, PG, PH, PL, PT, QA, RO, RS, RU, RW, SA, SC, SD, SE, SG, SK, SL, SM, ST, SV, SY, TH, TJ, TM, TN, TR, TT, TZ, UA, UG, US, UZ, VC, VN, ZA, ZM, ZW.

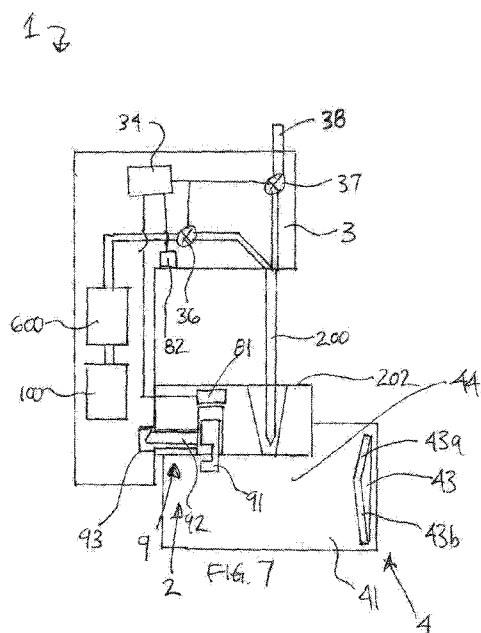
(84) **Designated States** (unless otherwise indicated, for every kind of regional protection available): ARIPO (BW, GH, GM, KE, LR, LS, MW, MZ, NA, RW, SD, SL, ST, SZ, TZ, UG, ZM, ZW), Eurasian (AM, AZ, BY, KG, KZ, RU, TJ, TM), European (AL, AT, BE, BG, CH, CY, CZ, DE, DK, EE, ES, FI, FR, GB, GR, HR, HU, IE, IS, IT, LT, LU, LV, MC, MK, MT, NL, NO, PL, PT, RO, RS, SE, SI, SK, SM, TR), OAPI (BF, BJ, CF, CG, CI, CM, GA, GN, GQ, GW, KM, ML, MR, NE, SN, TD, TG).

Published:

- with international search report (Art. 21(3))
- before the expiration of the time limit for amending the claims and to be republished in the event of receipt of amendments (Rule 48.2(h))

(88) **Date of publication of the international search report:**
13 August 2020 (13.08.2020)

(54) **Title:** BEVERAGE DISPENSER WITH CONDUIT PURGE FEATURES



(57) **Abstract:** Devices and methods for dispensing beverage from a container (700), such as a wine bottle, using a dispensing device (1). The device (1) may automatically purge at least one conduit (200) used to deliver gas to a beverage container (700) or to carry beverage from the beverage container in response to detecting that a dispensing operation is about to begin, or in response to detecting that a dispensing operation is complete. Visual or other displays (51) may be provided to the user to indicate that the device (1) is ready for use in dispensing, that a conduit is in fluid communication with the container interior and/or that the device is controlling components to dispense beverage.

(15) Information about Correction:
see Notice of 23 July 2020 (23.07.2020)

INTERNATIONAL SEARCH REPORT

International application No
PCT/US2019/062401

A. CLASSIFICATION OF SUBJECT MATTER
INV. B67D1/04 B67D1/08
ADD.
According to International Patent Classification (IPC) or to both national classification and IPC

B. FIELDS SEARCHED
Minimum documentation searched (classification system followed by classification symbols)
B67D

Documentation searched other than minimum documentation to the extent that such documents are included in the fields searched

Electronic data base consulted during the international search (name of data base and, where practicable, search terms used)
EPO-Internal, WPI Data

C. DOCUMENTS CONSIDERED TO BE RELEVANT

Category*	Citation of document, with indication, where appropriate, of the relevant passages	Relevant to claim No.
X Y	WO 2018/208941 A1 (CORAVIN INC [US]) 15 November 2018 (2018-11-15) page 12, line 5 - line 15; figures 1-4	20-30, 33,34 1-11,14, 15, 17-19,31
Y	----- US 5 292 030 A (KATEMAN PAUL [US] ET AL) 8 March 1994 (1994-03-08) column 8, line 46 - line 54	1-11,14, 15,17-19
Y	----- WO 2017/091549 A1 (CORAVIN INC [US]) 1 June 2017 (2017-06-01) page 7, line 1 - line 7 page 14, line 7 - line 12	15,31
A	----- US 5 727 713 A (KATEMAN PAUL [US] ET AL) 17 March 1998 (1998-03-17) column 5, line 50 - line 59; figure 1 -----	20

Further documents are listed in the continuation of Box C.

See patent family annex.

* Special categories of cited documents :

- "A" document defining the general state of the art which is not considered to be of particular relevance
- "E" earlier application or patent but published on or after the international filing date
- "L" document which may throw doubts on priority claim(s) or which is cited to establish the publication date of another citation or other special reason (as specified)
- "O" document referring to an oral disclosure, use, exhibition or other means
- "P" document published prior to the international filing date but later than the priority date claimed

- "T" later document published after the international filing date or priority date and not in conflict with the application but cited to understand the principle or theory underlying the invention
- "X" document of particular relevance; the claimed invention cannot be considered novel or cannot be considered to involve an inventive step when the document is taken alone
- "Y" document of particular relevance; the claimed invention cannot be considered to involve an inventive step when the document is combined with one or more other such documents, such combination being obvious to a person skilled in the art
- "&" document member of the same patent family

Date of the actual completion of the international search

27 February 2020

Date of mailing of the international search report

24/06/2020

Name and mailing address of the ISA/

European Patent Office, P.B. 5818 Patentlaan 2
NL - 2280 HV Rijswijk
Tel. (+31-70) 340-2040,
Fax: (+31-70) 340-3016

Authorized officer

Schultz, Tom

INTERNATIONAL SEARCH REPORT

International application No.
PCT/US2019/062401

Box No. II Observations where certain claims were found unsearchable (Continuation of item 2 of first sheet)

This international search report has not been established in respect of certain claims under Article 17(2)(a) for the following reasons:

1. Claims Nos.:
because they relate to subject matter not required to be searched by this Authority, namely:

2. Claims Nos.:
because they relate to parts of the international application that do not comply with the prescribed requirements to such an extent that no meaningful international search can be carried out, specifically:

3. Claims Nos.:
because they are dependent claims and are not drafted in accordance with the second and third sentences of Rule 6.4(a).

Box No. III Observations where unity of invention is lacking (Continuation of item 3 of first sheet)

This International Searching Authority found multiple inventions in this international application, as follows:

see additional sheet

1. As all required additional search fees were timely paid by the applicant, this international search report covers all searchable claims.

2. As all searchable claims could be searched without effort justifying an additional fees, this Authority did not invite payment of additional fees.

3. As only some of the required additional search fees were timely paid by the applicant, this international search report covers only those claims for which fees were paid, specifically claims Nos.:

4. No required additional search fees were timely paid by the applicant. Consequently, this international search report is restricted to the invention first mentioned in the claims; it is covered by claims Nos.:

1-34

Remark on Protest

- The additional search fees were accompanied by the applicant's protest and, where applicable, the payment of a protest fee.
- The additional search fees were accompanied by the applicant's protest but the applicable protest fee was not paid within the time limit specified in the invitation.
- No protest accompanied the payment of additional search fees.

FURTHER INFORMATION CONTINUED FROM PCT/ISA/ 210

This International Searching Authority found multiple (groups of) inventions in this international application, as follows:

1. claims: 1-34

A container-mounted beverage dispensing system comprising a controller adapted to purge at least one conduit.

2. claims: 35-49

A container-mounted beverage dispensing system comprising a controller adapted to provide a visual display.

INTERNATIONAL SEARCH REPORT

Information on patent family members

International application No

PCT/US2019/062401

Patent document cited in search report	Publication date	Patent family member(s)	Publication date	
WO 2018208941	A1	15-11-2018	CN 110730759 A	24-01-2020
			EP 3621917 A1	18-03-2020
			US 2018327243 A1	15-11-2018
			WO 2018208941 A1	15-11-2018

US 5292030	A	08-03-1994	AT 158922 T	15-10-1997
			AU 8404091 A	02-03-1992
			DE 69127901 T2	02-04-1998
			EP 0542886 A1	26-05-1993
			US 5292030 A	08-03-1994
			US 5433967 A	18-07-1995
			US 5603257 A	18-02-1997

WO 2017091549	A1	01-06-2017	AU 2016359499 A1	24-05-2018
			CA 3005355 A1	01-06-2017
			CN 108698809 A	23-10-2018
			EP 3380432 A1	03-10-2018
			JP 2019502603 A	31-01-2019
			US 2017144877 A1	25-05-2017
			US 2020115210 A1	16-04-2020
			WO 2017091549 A1	01-06-2017

US 5727713	A	17-03-1998	NONE	
