



US00D735172S

(12) **United States Design Patent**  
**Fagnot et al.**

(10) **Patent No.:** **US D735,172 S**

(45) **Date of Patent:** **\*\* Jul. 28, 2015**

(54) **MICROPHONE**

D708,600 S \* 7/2014 Trewartha et al. .... D14/225  
D716,766 S \* 11/2014 Lee ..... D14/215  
D720,728 S \* 1/2015 Trewartha ..... D14/225

(71) Applicant: **Sony Mobile Communications AB,**  
Lund (SE)

**FOREIGN PATENT DOCUMENTS**

(72) Inventors: **Benjamin Fagnot,** Lund (SE); **Henrik Jensfelt,** Lund (SE)

EM 000980388-0004 7/2008  
EM 000980388-0005 7/2008  
EM 002174995-0001 1/2013  
EM 002174995-0002 1/2013  
EM 002174995-0003 1/2013  
EM 002174995-0004 1/2013  
EM 002274142-0002 S 7/2013  
EM 002350413-0002 S 11/2013

(73) Assignee: **Sony Mobile Communications AB,**  
Lund (SE)

(\*\*) Term: **14 Years**

(Continued)

(21) Appl. No.: **29/485,602**

**OTHER PUBLICATIONS**

(22) Filed: **Mar. 20, 2014**

Product literature for Q2HD by Zoom, one page, 2011-2013.

(30) **Foreign Application Priority Data**

(Continued)

Dec. 13, 2013 (EM) ..... 002369389

(51) **LOC (10) Cl.** ..... **14-01**

(52) **U.S. Cl.**  
USPC ..... **D14/225**

(58) **Field of Classification Search**  
USPC ..... D14/154, 155, 167, 225, 226, 227,  
D14/238.1; D26/38; 181/158, 242; 381/92,  
381/355, 361, 369; 455/575.1

See application file for complete search history.

*Primary Examiner* — Susan Bennett Hattan  
*Assistant Examiner* — Leanne Was

(74) *Attorney, Agent, or Firm* — Renner, Otto, Boisselle & Sklar, LLP

(57) **CLAIM**

The ornamental design for a microphone, as shown and described.

**DESCRIPTION**

FIG. 1 is a perspective view of a microphone showing our new design.

FIG. 2 is another perspective view thereof.

FIG. 3 is a front view thereof.

FIG. 4 is a rear view thereof.

FIG. 5 is a left side view thereof.

FIG. 6 is a right side view thereof.

FIG. 7 is a top view thereof; and,

FIG. 8 is a bottom view thereof.

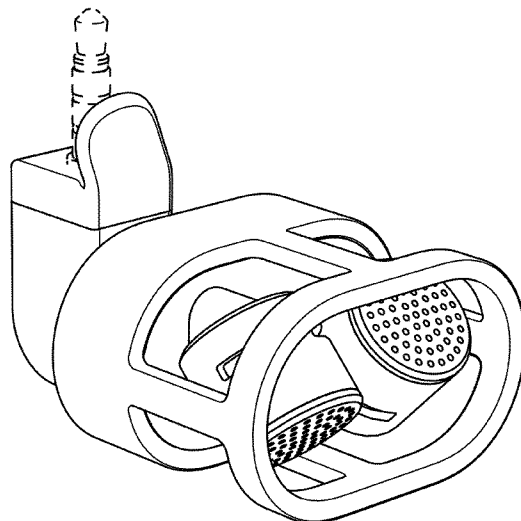
The broken lines shown herein depict portions of the microphone that form no part of the claimed design.

**1 Claim, 5 Drawing Sheets**

(56) **References Cited**

**U.S. PATENT DOCUMENTS**

D418,513 S 1/2000 Suzuki et al.  
D542,262 S \* 5/2007 Oka ..... D14/167  
D554,628 S 11/2007 Aoki  
D583,797 S 12/2008 Obata  
D623,172 S \* 9/2010 Kondo et al. .... D14/227  
D649,524 S \* 11/2011 Miyazaki ..... D14/167  
D658,163 S 4/2012 Iikura  
D664,112 S 7/2012 Fukuoka et al.  
D665,769 S 8/2012 Hayashi  
D707,207 S \* 6/2014 Cooper et al. .... D14/225



(56)

**References Cited**

FOREIGN PATENT DOCUMENTS

JP	1338641 S	8/2008
JP	1409593 S	3/2011
JP	1472487 S	6/2013

OTHER PUBLICATIONS

Product literature for H1 Handy Recorder Version 2.0 by Zoom, five pages, 2011-2013.

Product literature for H4next by Zoom, seven pages, 2011-2013.

Product literature for Q3HD by Zoom, five pages, 2011-2013.

Product literature for Zoom H6, downloaded from Internet at <<<http://www.zoom.co.jp/products/h6/gallery/>>>, at least as early as Oct. 31, 2013.

Product literature for Tascam DR-07MKII, downloaded from Internet at <<<http://tascam.com/product/dr-07mk2/images/>>>, 2014.

Product literature for Tascam DR-40, downloaded from Internet at <<<http://tascam.com/product/dr-40/images/>>>, 2014.

Product literature for Superlux XY Stereo Microphone, downloaded from Internet at <<[http://www.superlux.com.tw/upload/function.product.info/3e9cc8ff-b2a8-4d27-9474-9a1a7adf4cea/img\\_E524D\\_front\\_web\\_xl.jpg](http://www.superlux.com.tw/upload/function.product.info/3e9cc8ff-b2a8-4d27-9474-9a1a7adf4cea/img_E524D_front_web_xl.jpg)>>, 2013.

Product literature for Tascam IM2X, downloaded from Internet at <<<http://tascam.com/product/im2x/images/>>>, 2014.

Product literature for Alesis Pro Track, downloaded from Internet at <<<http://www.alesis.com/protrack>>>, 2014.

Product literature for Alesis TwoTrack, downloaded from Internet at <<<http://www.alesis.com/twotrack>>>, 2014.

\* cited by examiner

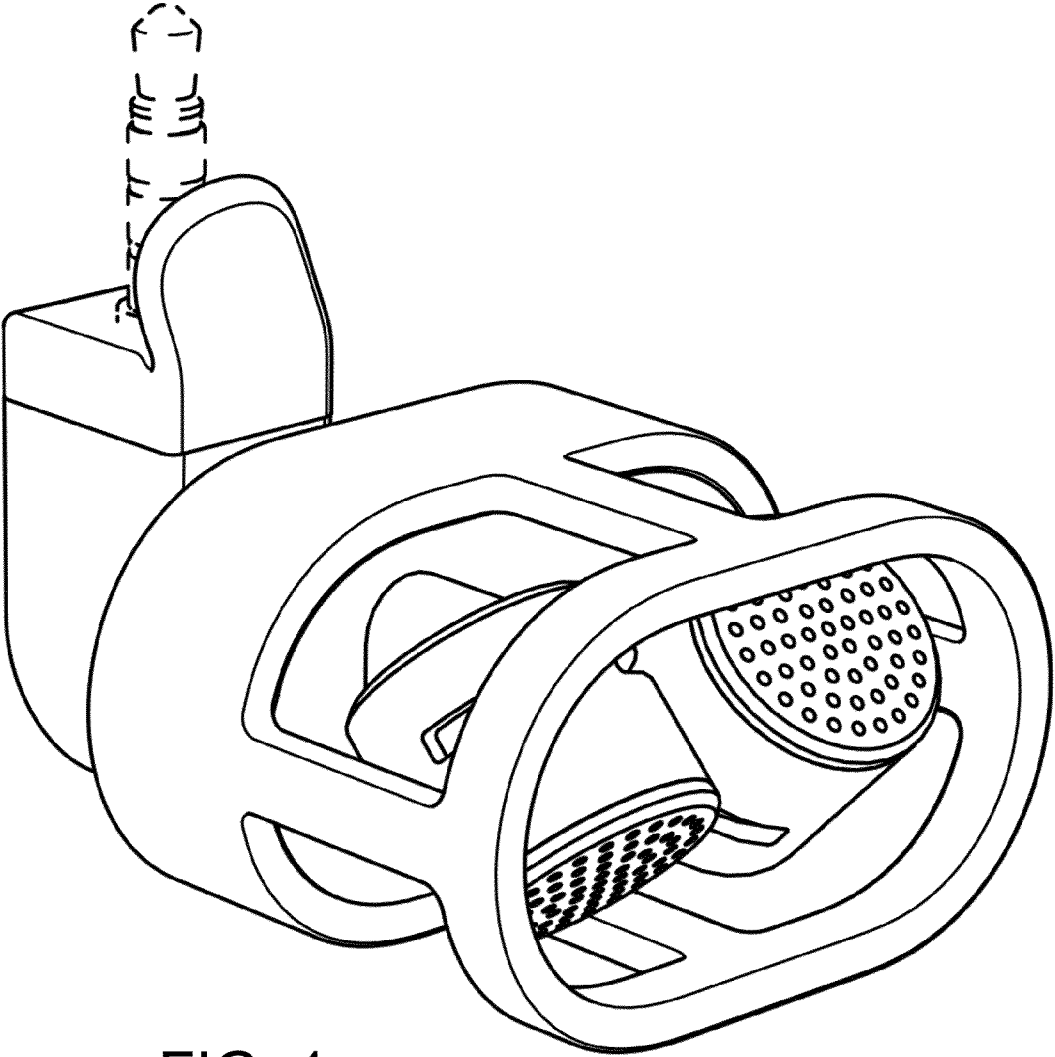


FIG. 1

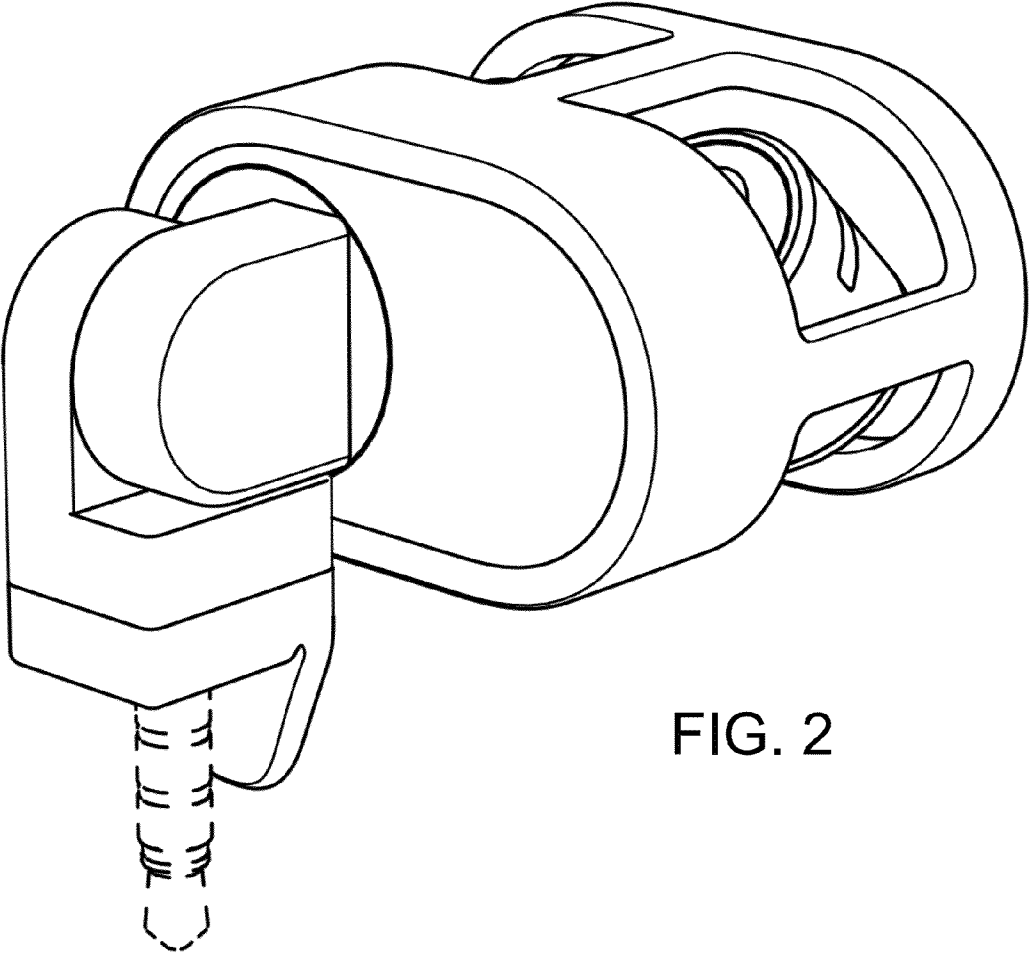


FIG. 2

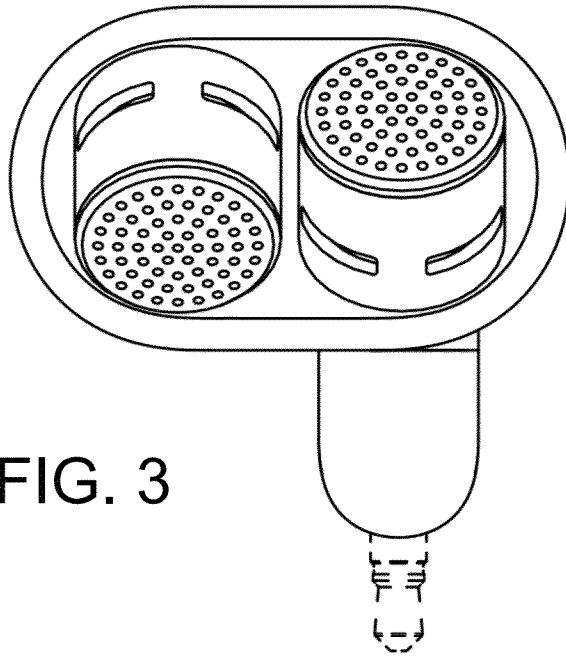


FIG. 3

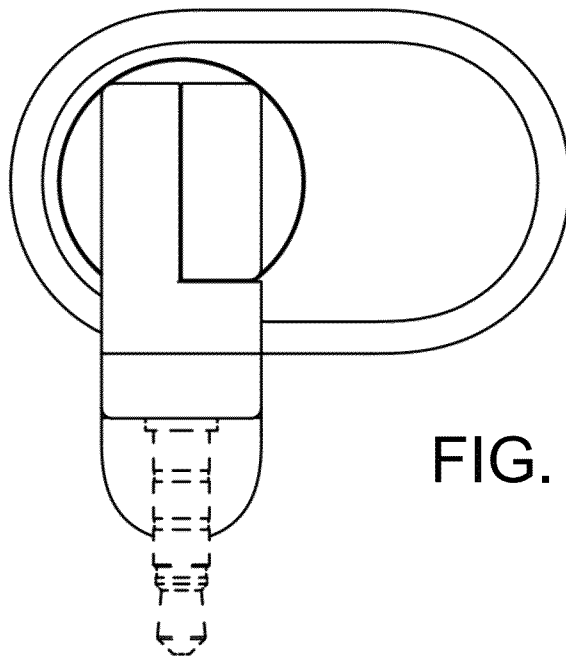


FIG. 4

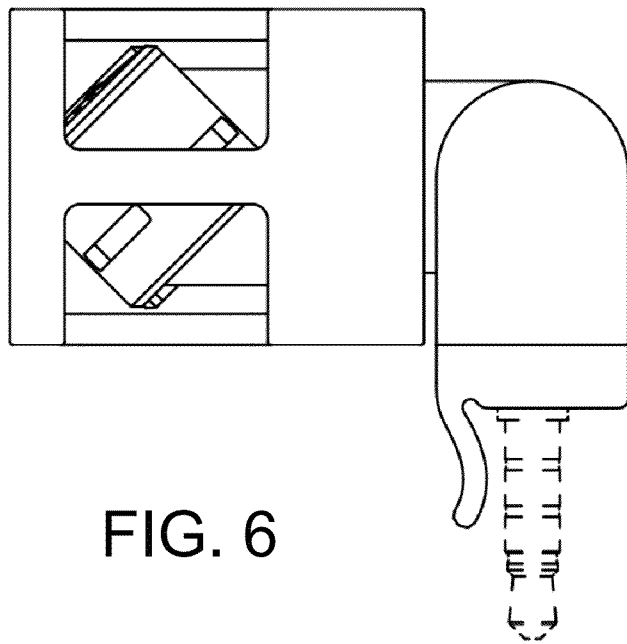
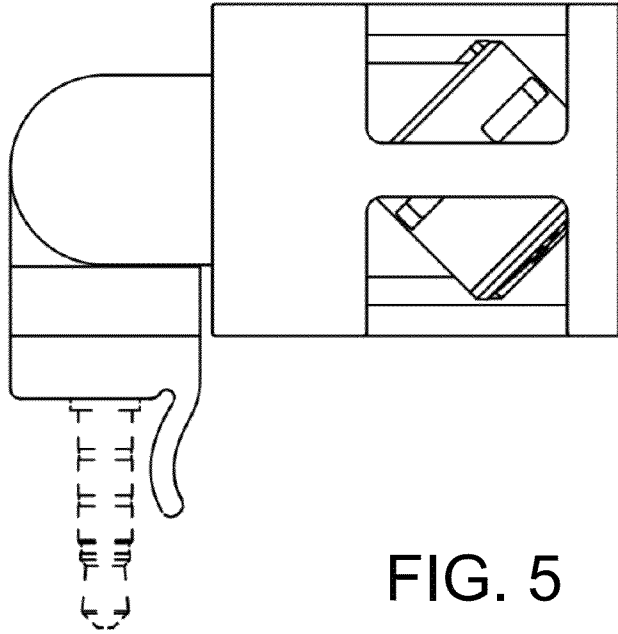


FIG. 7

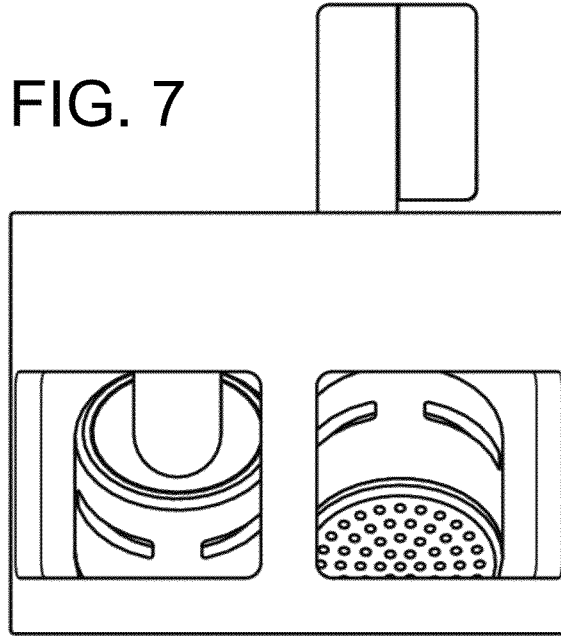


FIG. 8

