



US00D653546S

(12) **United States Design Patent**
Ring et al.

(10) **Patent No.:** **US D653,546 S**

(45) **Date of Patent:** **** Feb. 7, 2012**

(54) **BOTTLE**

(76) Inventors: **Thomas J. Ring**, Palos Heights, IL (US);
John S. Letchinger, Wilmette, IL (US);
Daniel L. O'Malley, Wilmette, IL (US);
Kenneth W. Reick, Glen Ellyn, IL (US);
Linc E. Cholke, Vernon Hills, IL (US);
Kevin J. Cox, Northbrook, IL (US)

1,289,218 A 12/1918 Maiden
1,434,460 A 11/1922 Tibbatts
2,187,558 A 1/1940 Kushima

(Continued)

(**) Term: **14 Years**

(21) Appl. No.: **29/387,755**

(22) Filed: **Mar. 17, 2011**

Related U.S. Application Data

(62) Division of application No. 29/357,290, filed on Mar. 10, 2010, now abandoned.

(51) **LOC (9) Cl.** **09-01**

(52) **U.S. Cl.** **D9/516; D9/520; D9/571**

(58) **Field of Classification Search** D9/500,
D9/503, 504, 516, 520, 529, 548, 549, 551,
D9/556, 558, 571, 574, 434, 453, 454, 737,
D9/738, 743, 744, 745, 746; D7/509, 511,
D7/601, 602, 612; 215/379, 381-385; 220/600,
220/608, 609, 660, 669, 675, 602, 662, 665

See application file for complete search history.

(56) **References Cited**

U.S. PATENT DOCUMENTS

59,687 A 11/1866 Waldstein et al.
315,095 A 4/1885 Waters
393,255 A 11/1888 Meier
469,001 A 2/1892 Sherman
544,219 A 8/1895 Godet
D37,700 S * 11/1905 Hyatt D9/781

OTHER PUBLICATIONS

Office Action dated Jul. 7, 2011 for corresponding U.S. Appl. No. 12/245,464, 17 pages.

Primary Examiner — Stella Reid

Assistant Examiner — Elizabeth J Oswecki

(74) *Attorney, Agent, or Firm* — Edwards Wildman Palmer LLP

(57) **CLAIM**

We claim the ornamental design for a bottle, as shown and described.

DESCRIPTION

FIG. 1 is a top perspective view of a bottle showing our new design;

FIG. 2 is a front view of the bottle of FIG. 1;

FIG. 3 is a rear view of the bottle of FIG. 1;

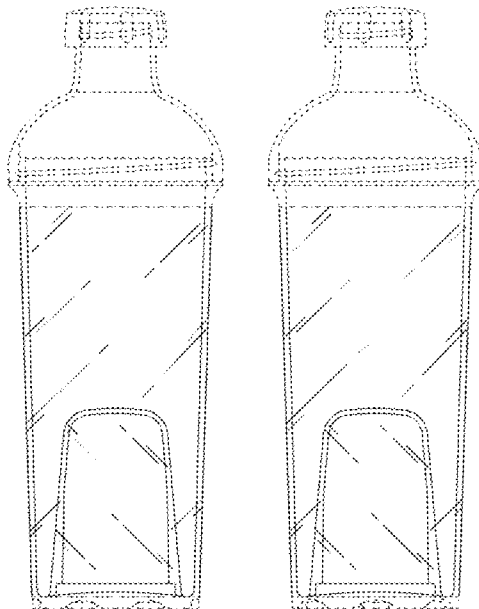
FIG. 4 is a right side elevation view of the bottle of FIG. 1;

FIG. 5 is a left side elevation view of the bottle of FIG. 1; and,

FIG. 6 is a bottom plan view of the bottle of FIG. 1.

The portions of the bottle and the environment shown in broken lines form no part of the claimed design. With respect to FIG. 6, a raised portion of the bottle near a center of the bottle is represented in solid lines. The solid lines of the raised portion illustrate a change in width of the raised portion as it decreases in width in a direction extending toward a top of the bottle. The solid lines also illustrate rounded top corners of the raised portion of the bottle as can also be seen in FIGS. 1-5.

1 Claim, 4 Drawing Sheets



US D653,546 S

U.S. PATENT DOCUMENTS

2,326,414 A	8/1943	Thompson		D454,068 S	3/2002	Hanson	
D155,564 S	10/1949	Ackerman		D478,511 S	8/2003	Reynolds	
2,776,066 A	1/1957	Thornton		6,629,618 B1	10/2003	Volan	
2,786,769 A *	3/1957	Greenspan	426/117	D489,228 S	5/2004	Gindi et al.	
3,071,281 A	1/1963	Shinichi		D489,627 S	5/2004	Klitsner et al.	
3,124,264 A	3/1964	Waisberg		D491,066 S *	6/2004	Le Goff	D9/500
3,189,242 A	6/1965	Orr		D499,342 S	12/2004	Klitsner et al.	
3,233,727 A	2/1966	Wilson		D517,869 S	3/2006	Graves et al.	
3,741,383 A *	6/1973	Wittwer	206/219	D526,855 S	8/2006	Wolff	
3,888,376 A	6/1975	Cooke		D532,257 S *	11/2006	Mansfield	D7/513
D237,855 S *	12/1975	Achenbach	D7/615	D538,640 S *	3/2007	Limber	D9/745
4,084,716 A	4/1978	Bogert		D538,641 S *	3/2007	Limber	D9/745
4,084,717 A	4/1978	King		D539,664 S	4/2007	Janky	
4,793,476 A	12/1988	Schrupp		D540,189 S	4/2007	Larocca	
D302,943 S	8/1989	Cuzenza		D540,190 S	4/2007	Larocca	
4,859,423 A	8/1989	Perlman		D540,679 S	4/2007	Tanner	
D315,095 S	3/1991	Wright		D543,411 S *	5/2007	Rittberg	D7/354
5,035,931 A	7/1991	Yamada et al.		D549,095 S	8/2007	Blasko et al.	
D329,962 S *	10/1992	Hestehave et al.	D7/612	7,287,656 B2 *	10/2007	Guilford et al.	215/11.1
5,189,892 A *	3/1993	Roberts	62/372	D554,865 S *	11/2007	Roesler	D3/302
5,244,122 A	9/1993	Botts		D555,013 S	11/2007	Bartolone et al.	
D342,868 S *	1/1994	Lin	D7/612	D557,607 S	12/2007	Misawa	
5,467,877 A *	11/1995	Smith	215/11.1	D558,978 S *	1/2008	Roesler	D3/302
5,487,486 A	1/1996	Meneo		D596,944 S *	7/2009	Mueller et al.	D9/516
D370,411 S	6/1996	Vernon, IV		7,614,512 B2	11/2009	Nader	
5,611,776 A *	3/1997	Simmons et al.	604/65	D614,031 S	4/2010	Creed et al.	
D378,976 S	4/1997	Joergensen		D614,493 S	4/2010	Creed et al.	
5,617,966 A *	4/1997	Bral	215/11.4	7,896,180 B2 *	3/2011	Kenney	215/6
D389,403 S *	1/1998	Rahr	D9/428	2005/0103739 A1	5/2005	Brown	
5,769,680 A	6/1998	Hoffman		2005/0234422 A1	10/2005	Oh et al.	
D400,005 S	10/1998	Wolff		2006/0102581 A1	5/2006	Yates, III	
5,829,607 A	11/1998	Ibrahim		2006/0213854 A1 *	9/2006	Singh et al.	215/6
5,881,868 A	3/1999	Soyak et al.		2007/0090077 A1 *	4/2007	Graber	215/10
D410,548 S	6/1999	Chomik		2008/0128378 A1	6/2008	Nowzari	
6,005,204 A	12/1999	Choi et al.		2008/0217280 A1	9/2008	Dekker et al.	
D421,572 S	3/2000	Herrmann		2008/0223808 A1	9/2008	Mendenhall et al.	
6,116,439 A	9/2000	Yaniv		2008/0230504 A1	9/2008	Nowzari	
D433,633 S	11/2000	La Fata		2010/0025350 A1	2/2010	Kenney	
6,159,513 A	12/2000	Judlowe et al.		2010/0116768 A1	5/2010	Kountotsis	
6,179,153 B1 *	1/2001	Huang	220/553				

* cited by examiner

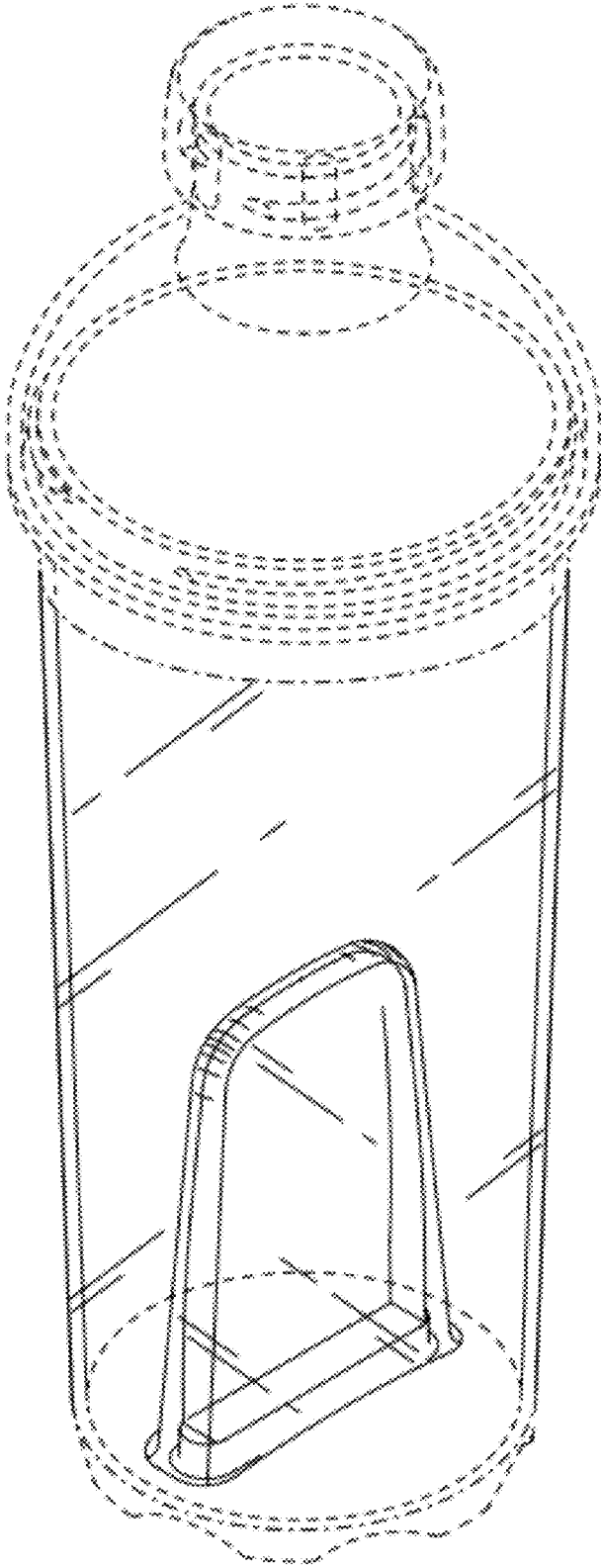


FIG. 1

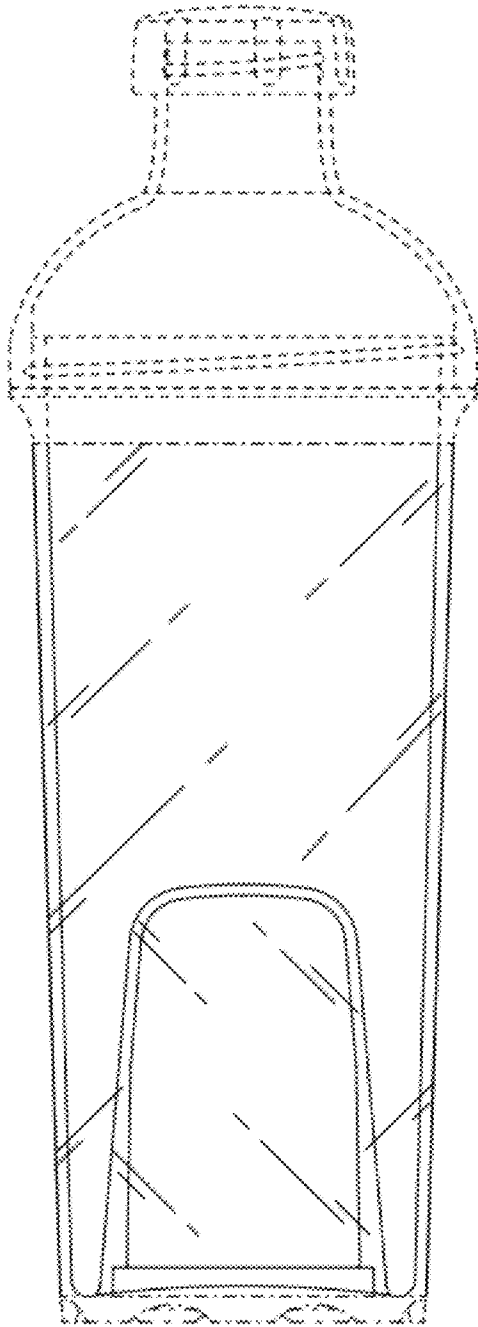


FIG. 2

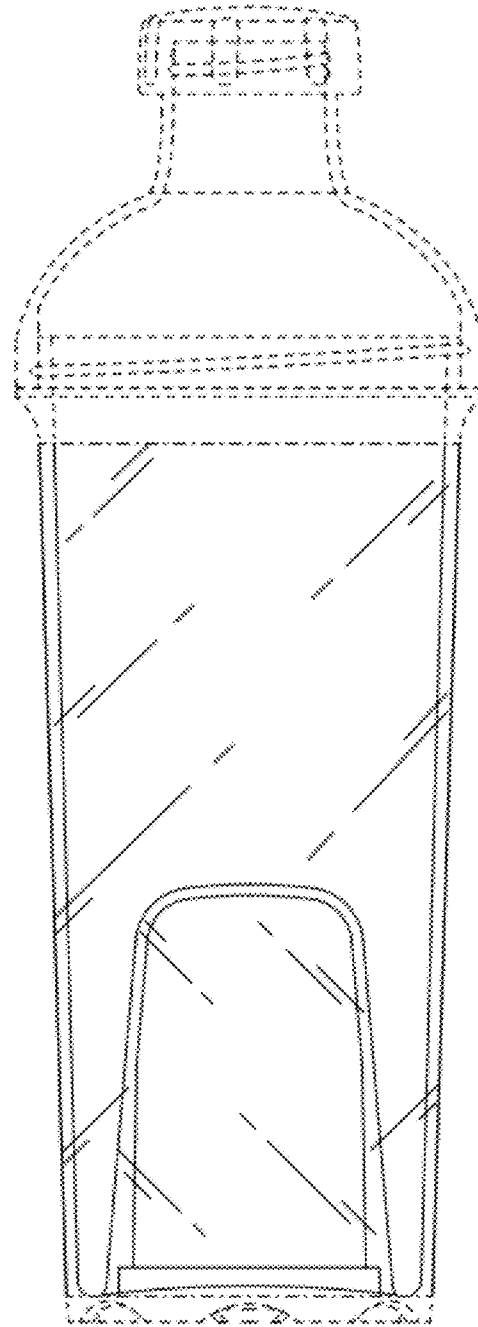


FIG. 3

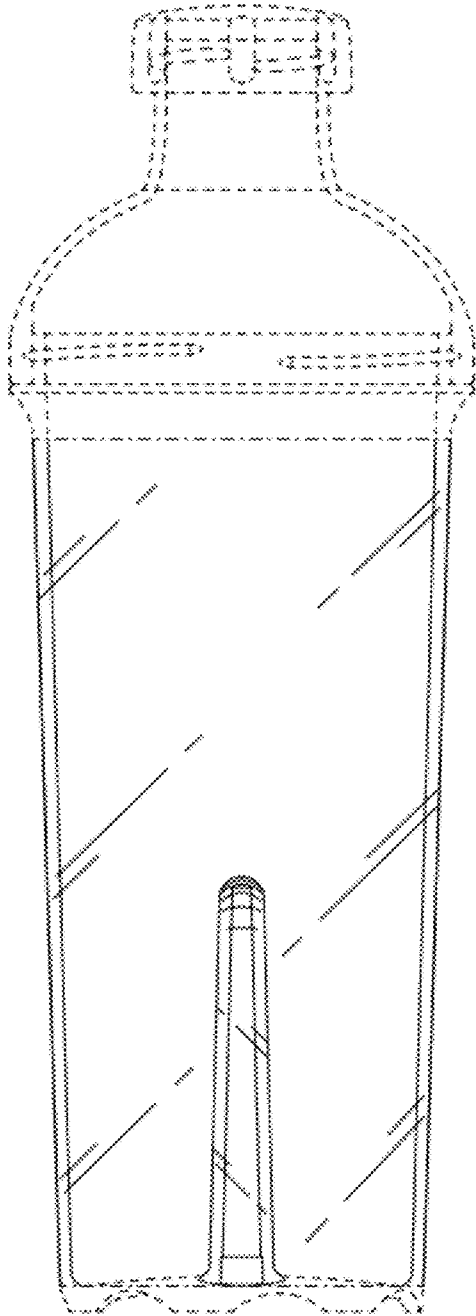


FIG. 4

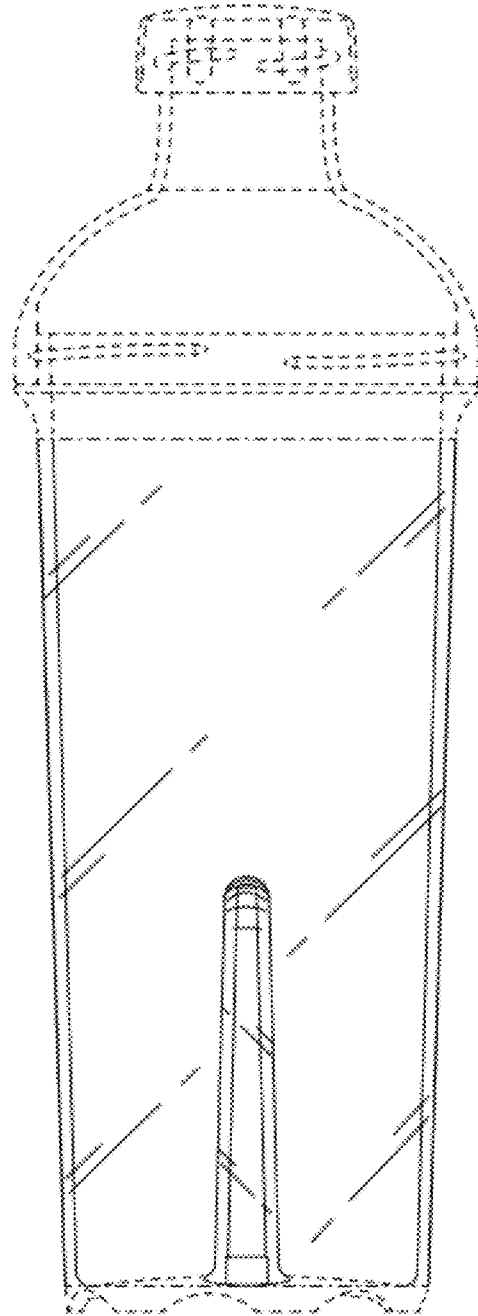


FIG. 5

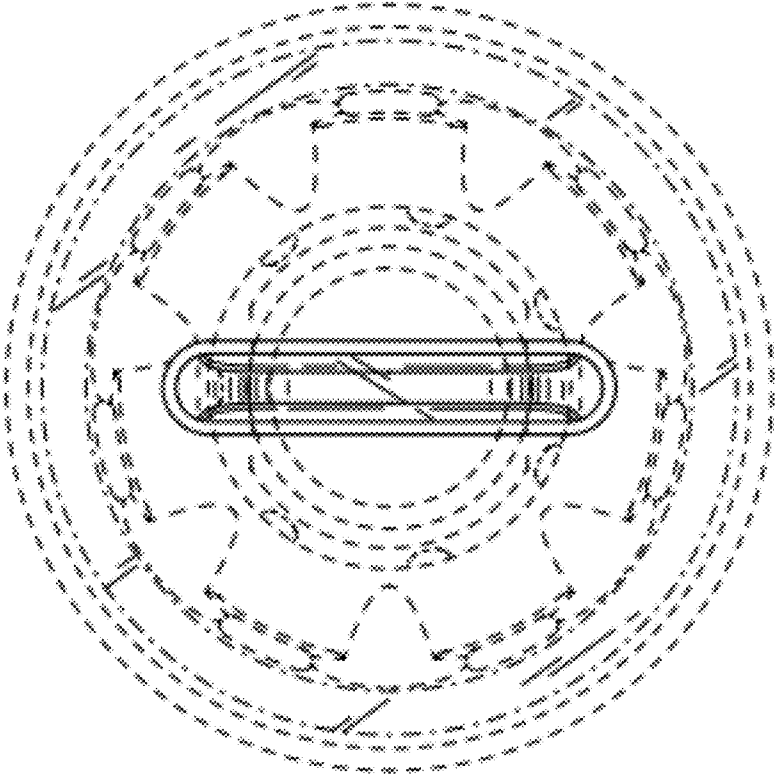


FIG. 6