

CORRECTED VERSION

(19) World Intellectual Property Organization International Bureau



(10) International Publication Number WO 2012/007118 A8

(43) International Publication Date 19 January 2012 (19.01.2012)

WIPO | PCT

- (51) International Patent Classification: A61C 8/00 (2006.01)
(21) International Application Number: PCT/EP201 1/003323
(22) International Filing Date: 5 July 2011 (05.07.2011)
(25) Filing Language: English
(26) Publication Language: English
(30) Priority Data: 10007280.0 14 July 2010 (14.07.2010) EP
(71) Applicant: NOBEL BIOCARE SERVICES AG [CH/CH]; Postfach, CH-8058 Zurich-Flughafen (CH).
(72) Inventors; and
(74) Inventors/Applicants: JÖRNEUS, Lars [SE/SE]; Vastra Ryabergsvagen 7B, S-439 61 Frillesas
(75) Agent: DAVIES, Dominic; Nobel Biocare AB, Box 5190, SE-402 26 Goteborg (SE).
(81) Designated States (unless otherwise indicated, for every kind of national protection available): AE, AG, AL, AM, AO, AT, AU, AZ, BA, BB, BG, BH, BR, BW, BY, BZ, CA, CH, CL, CN, CO, CR, CU, CZ, DE, DK, DM, DO, DZ, EC, EE, EG, ES, FI, GB, GD, GE, GH, GM, GT, HN, HR, HU, ID, IL, IN, IS, JP, KE, KG, KM, KN, KP, KR, KZ, LA, LC, LK, LR, LS, LT, LU, LY, MA, MD, ME, MG, MK, MN, MW, MX, MY, MZ, NA, NG, NI, NO, NZ, OM, PE, PG, PH, PL, PT, RO, RS, RU, SC, SD, SE, SG, SK, SL, SM, ST, SV, SY, TH, TJ, TM, TN, TR, TT, TZ, UA, UG, US, UZ, VC, VN, ZA, ZM, ZW.
(84) Designated States (unless otherwise indicated, for every kind of regional protection available): ARIPO (BW, GH, GM, KE, LR, LS, MW, MZ, NA, SD, SL, SZ, TZ, UG,

[Continued on nextpage]

(54) Title: IMPLANT SYSTEM

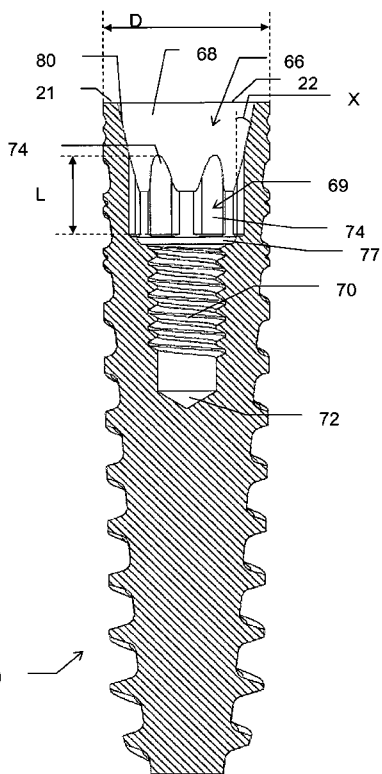


FIG. 8

(57) Abstract: The present invention relates to a dental implant (20), comprising: a tapered body (32); a longitudinal axis (L2); a distal end (24); an open proximal end (22); implant retaining means (38) provided on an external portion of said body, the implant retaining means comprising at least one thread (38), wherein at least one groove (50) is located on the face (58) of the thread(s) at a proximal portion (26) of the dental implant.; a collar (36) which optionally is provided with at least one groove (46); an internal bore (66) provided within a portion of said body, said internal bore having a proximal end at the open proximal end of said body and a distal end (72); a first portion (68) of said internal bore comprising an internally facing sloping surface (80) having a proximal end and a distal end, said sloping surface extending from near the proximal end of said internal bore toward the distal end of said internal bore, said surface being formed with a sloping path inwardly toward its distal end at an angle of about 8 degrees to about degrees relative to said longitudinal axis when the implant is seen from the side; a second portion of said internal bore comprising an internally facing drive region (69) positioned between the distal end of said surface (80) and the distal end of said internal bore, the internally facing drive region having a plurality of concave lobes (74) which extend partially up into the internally facing sloping surface (80); and a third portion of said internal bore comprising an internally threaded region (70) positioned between said internally facing drive region and the distal end of said internal bore, wherein a ratio (L:D) of the length of the lobes (74) to the implant's diameter is at least 0.4, preferably at least 0.45, for example 0.52. The invention also relates to the combination of an internal connection implant and a complementary abutment, and to an abutment.



WO 2012/007118 A8

ZM, ZW), Eurasian (AM, AZ, BY, KG, KZ, MD, RU, TJ, TM), European (AL, AT, BE, BG, CH, CY, CZ, DE, DK, EE, ES, FI, FR, GB, GR, HR, HU, IE, IS, IT, LT, LU, LV, MC, MK, MT, NL, NO, PL, PT, RO, RS, SE, SI, SK, SM, TR), OAPI (BF, BJ, CF, CG, CI, CM, GA, GN, GQ, GW, ML, MR, NE, SN, TD, TG).

(48) Date of publication of this corrected version:

28 February 2013

(15) Information about Correction:

see Notice of 28 February 2013

Published:

— *with international search report (Art. 21(3))*