



US00D738455S

(12) **United States Design Patent**  
**Homem de Mello Anderson et al.**

(10) **Patent No.:** **US D738,455 S**  
(45) **Date of Patent:** **\*\* Sep. 8, 2015**

(54) **LASER DEVICE**

(56) **References Cited**

(71) Applicant: **Crimson Trace Corporation**,  
Wilsonville, OR (US)  
(72) Inventors: **Danny Homem de Mello Anderson**,  
Wilsonville, OR (US); **Scott C. Hartley**,  
Portland, OR (US); **Fred Karl**, Tigard,  
OR (US)

U.S. PATENT DOCUMENTS

7,188,978 B2 *	3/2007	Sharrah et al.	362/396
D612,970 S *	3/2010	Sharrah et al.	D26/60
8,695,267 B2 *	4/2014	Houde-Walter	42/146
2012/0124885 A1 *	5/2012	Caulk et al.	42/146
2014/0305021 A1 *	10/2014	Prieto	42/111
2015/0124436 A1 *	5/2015	Galli et al.	362/110
2015/0184978 A1 *	7/2015	Hedeen	42/114

(73) Assignee: **Crimson Trace Corporation**,  
Wilsonville, OR (US)

\* cited by examiner

(\*\*) Term: **14 Years**

*Primary Examiner* — Michael A Pratt

(21) Appl. No.: **29/488,830**

(74) *Attorney, Agent, or Firm* — Schwabe, Williamson &  
Wyatt, P.C.

(22) Filed: **Apr. 23, 2014**

(57) **CLAIM**

We claim an ornamental design for a laser device, as shown  
and described.

(51) **LOC (10) Cl.** ..... **22-01**

**DESCRIPTION**

(52) **U.S. Cl.**

USPC ..... **D22/109**

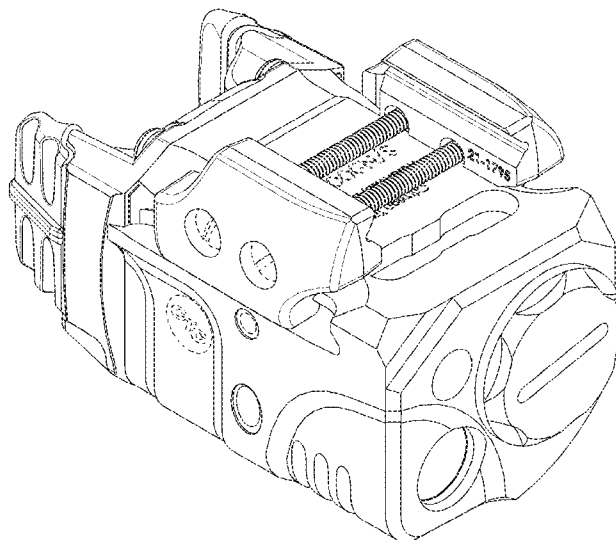
(58) **Field of Classification Search**

USPC ..... D22/108-109; 89/111-113; 359/399,  
359/823, 744; 42/104, 105, 111-113, 116,  
42/120, 124-126, 127-129, 141-148,  
42/133-140; 33/227, 229

CPC ... F41G 11/002; F41G 11/003; F41G 11/004;  
F41G 11/005; F41G 1/00; F41G 1/01; F41G  
1/02; F41G 1/06; F41G 1/065; F41G 1/08;  
F41G 1/10; F41G 1/12; F41G 1/14; F41G  
1/30; F41G 1/32; F41G 1/38; F41G 1/40;  
F41G 1/42; F41G 1/44; F41G 1/46; F41G  
1/383; F41G 1/387; F41G 1/393; F41G 3/00;  
F41G 3/005; F41G 3/02; F41G 3/04; F41G  
3/06; F41G 3/14

See application file for complete search history.

**1 Claim, 9 Drawing Sheets**



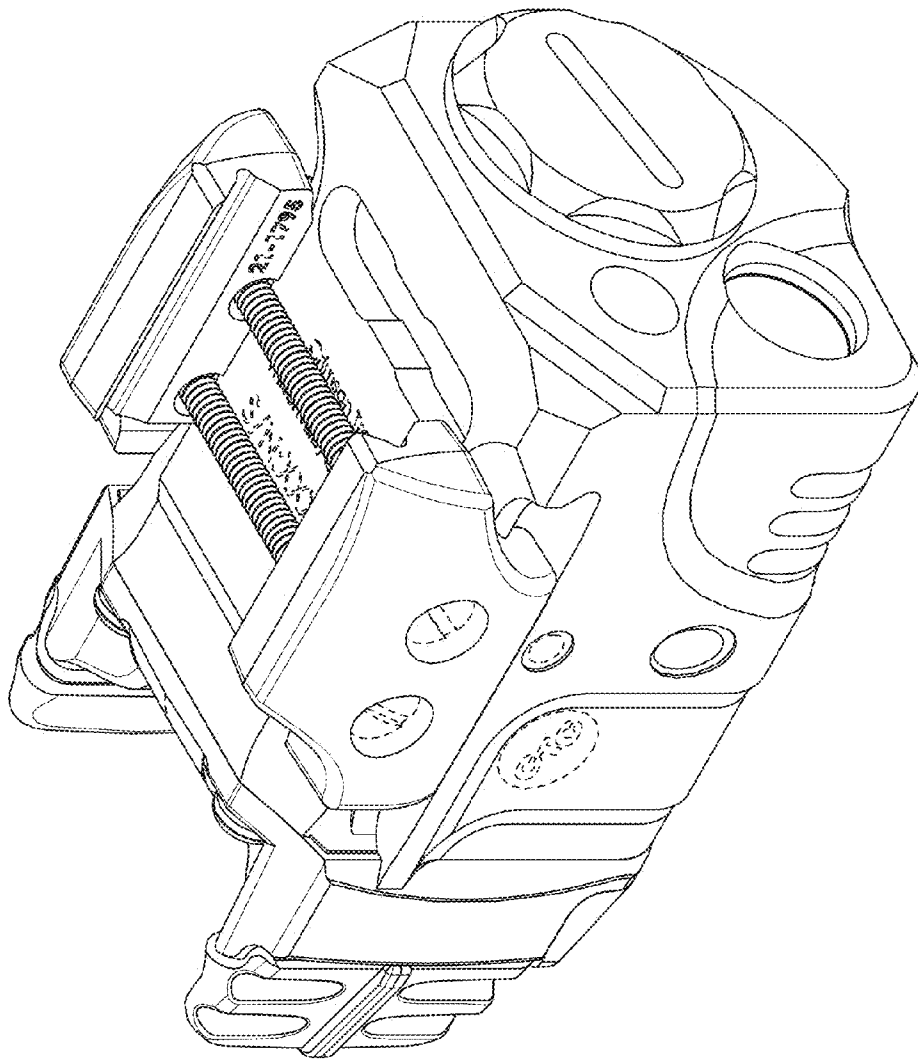


FIG. 1

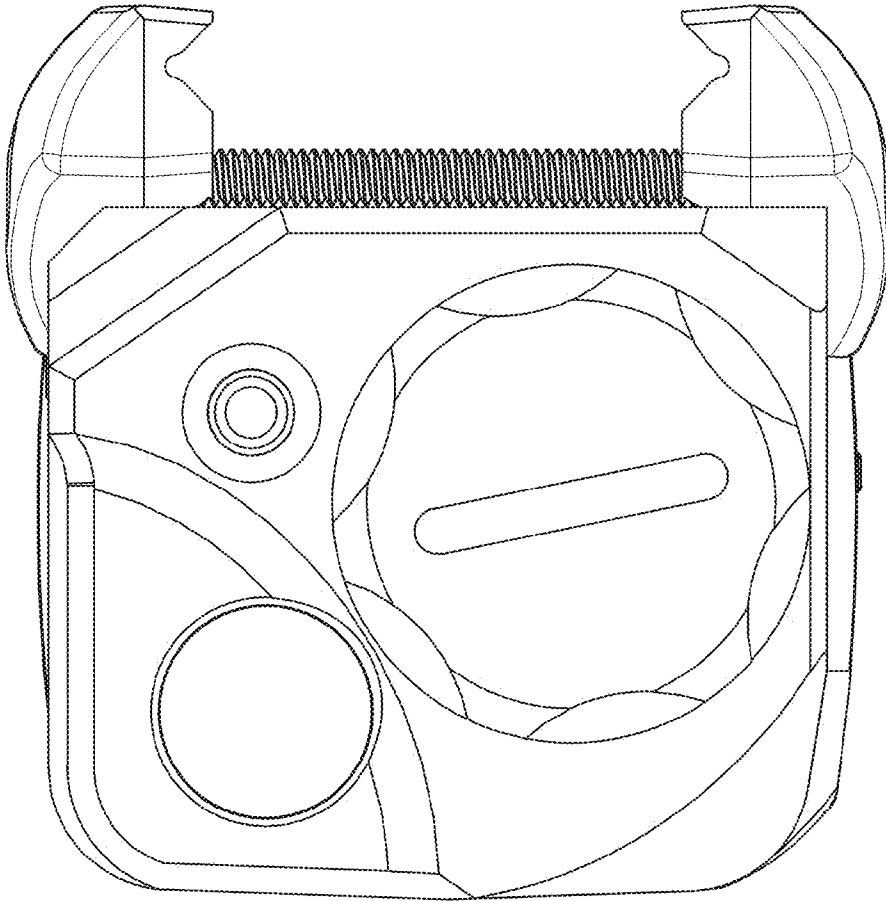


FIG. 2

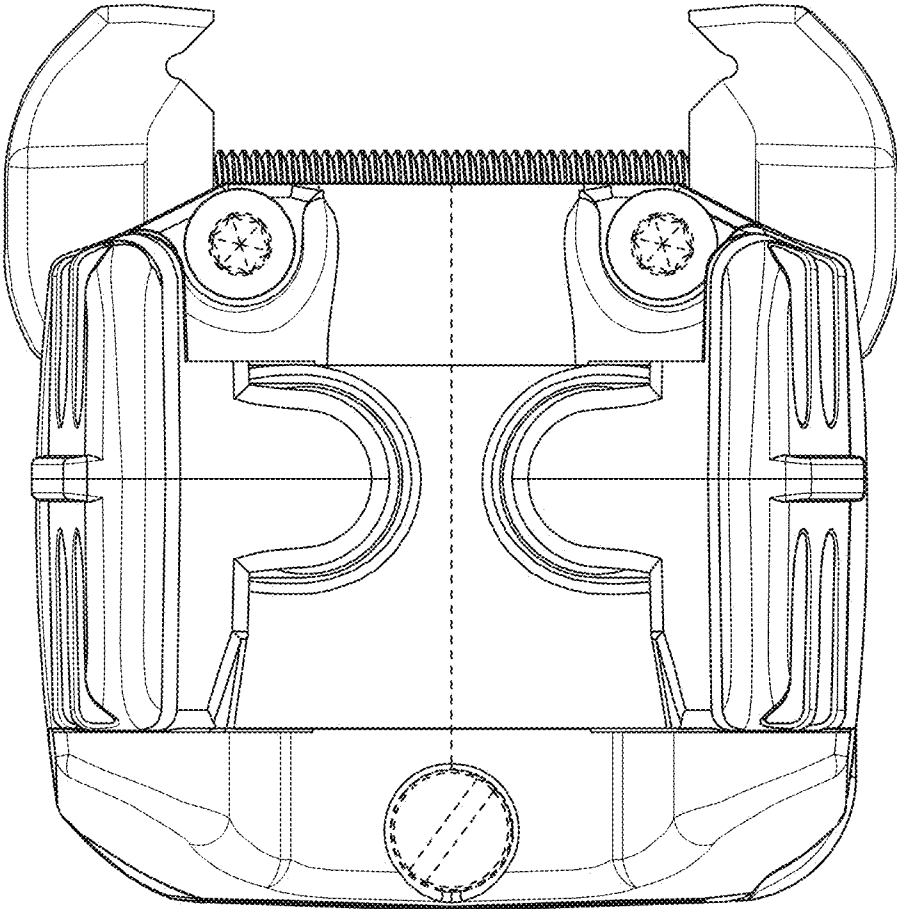


FIG. 3

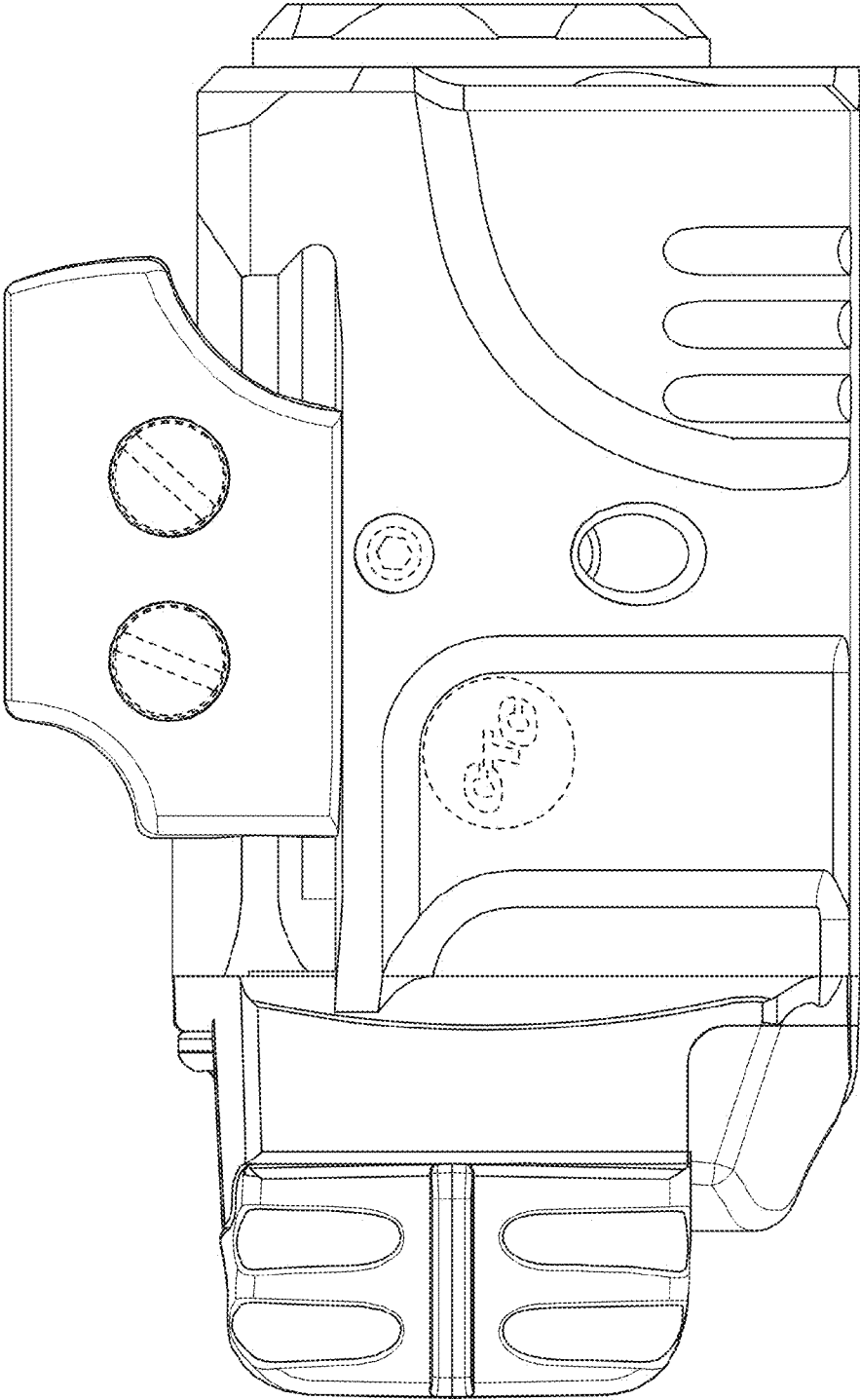


FIG. 4

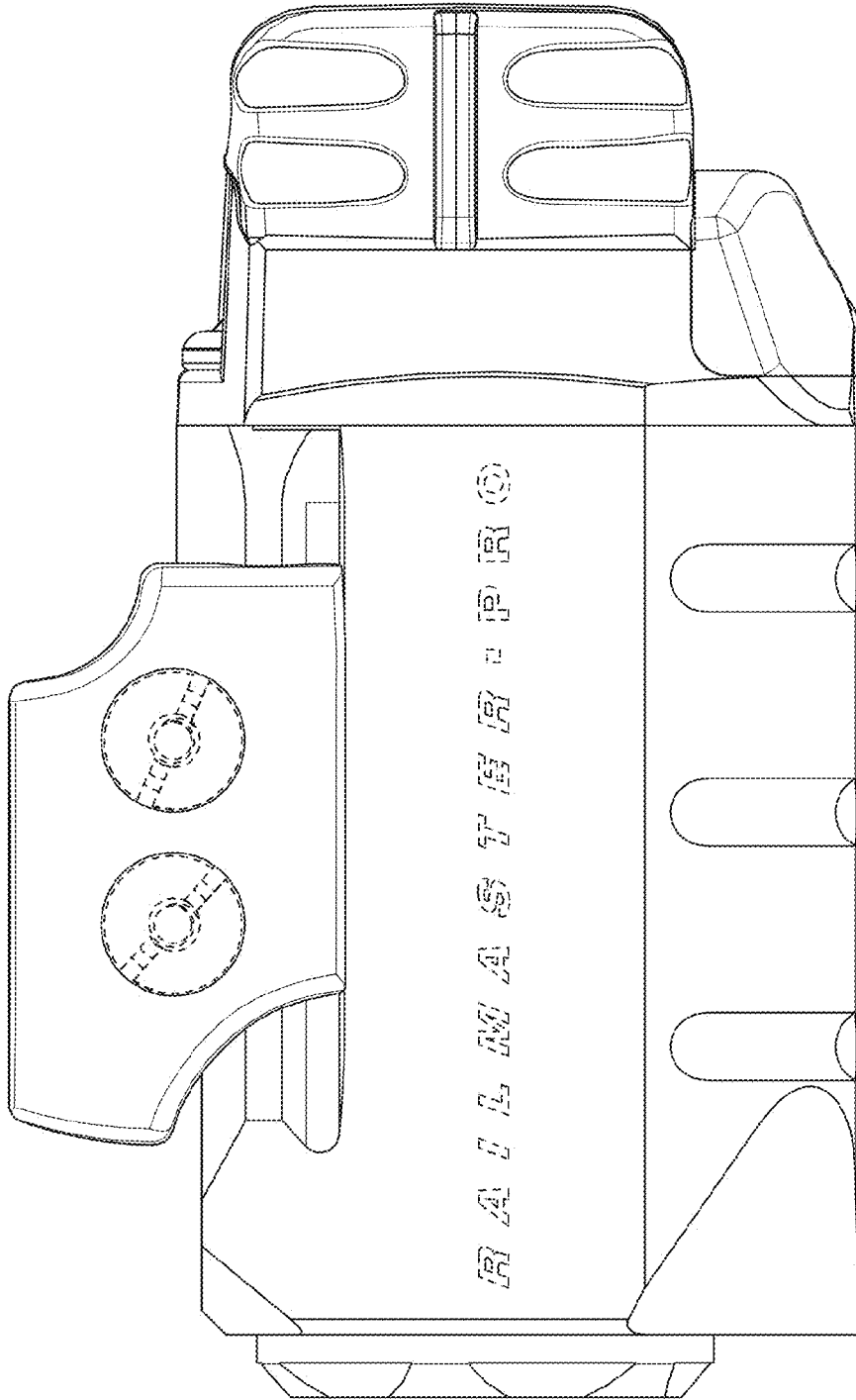


FIG. 5

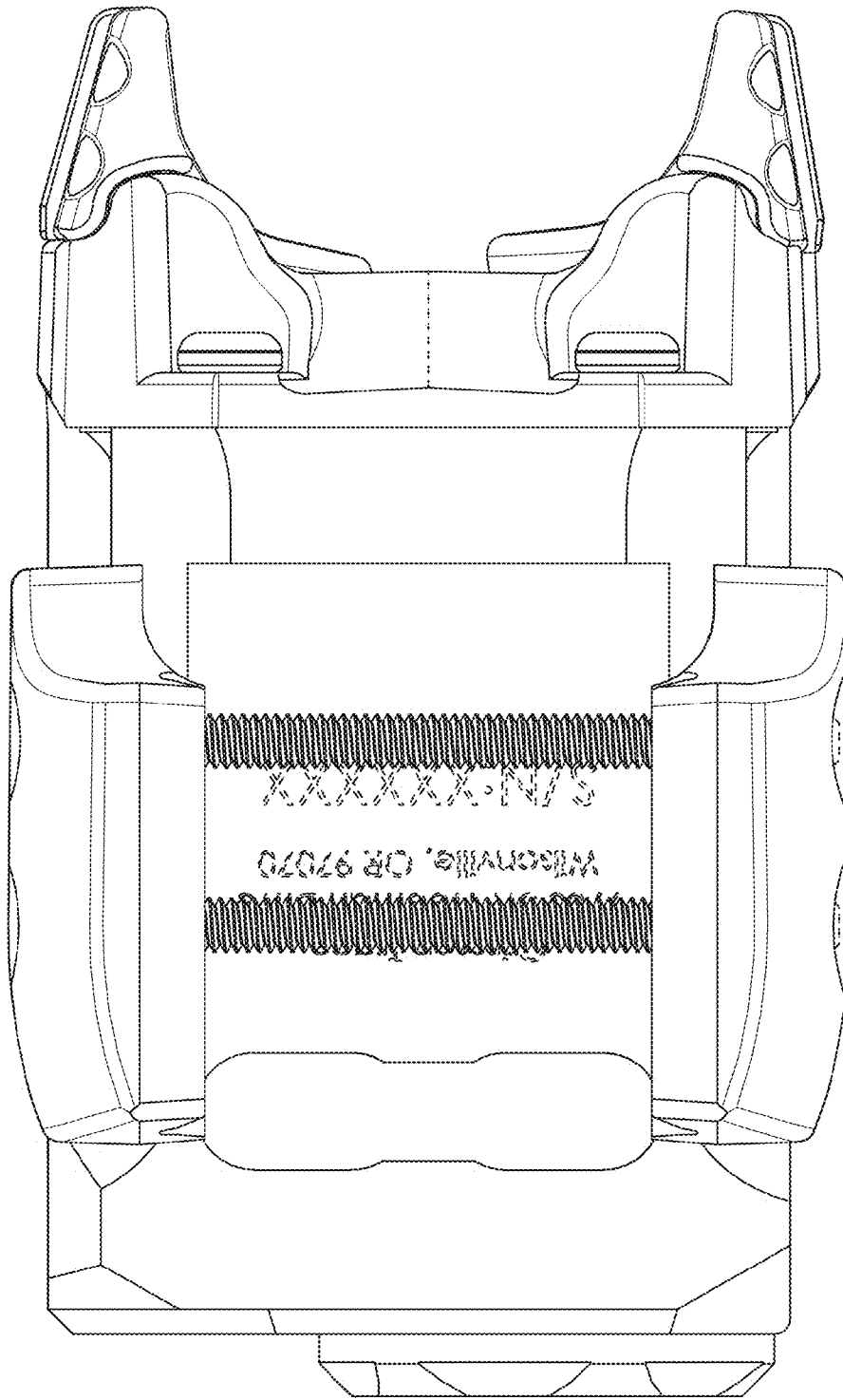


FIG. 6

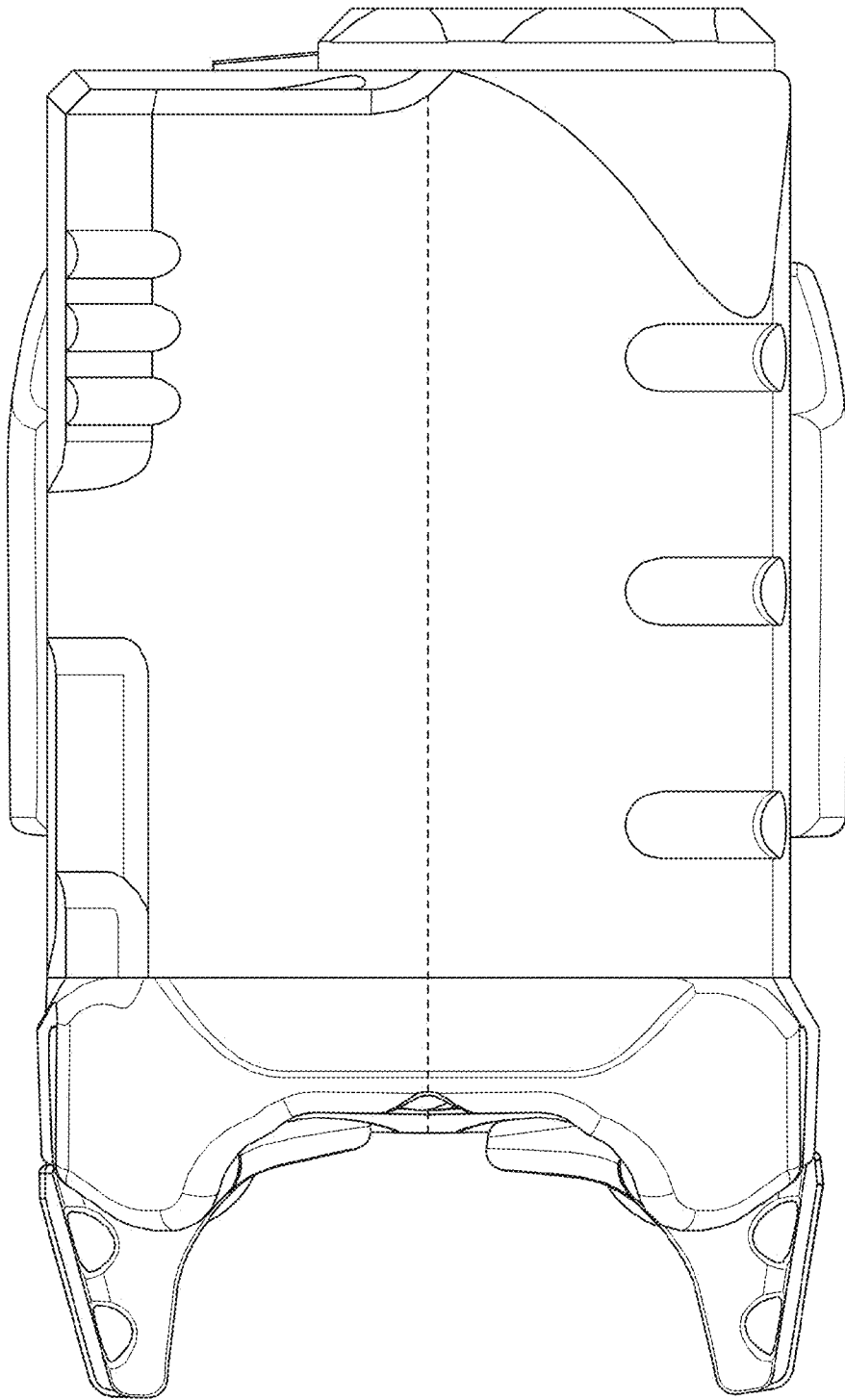


FIG. 7

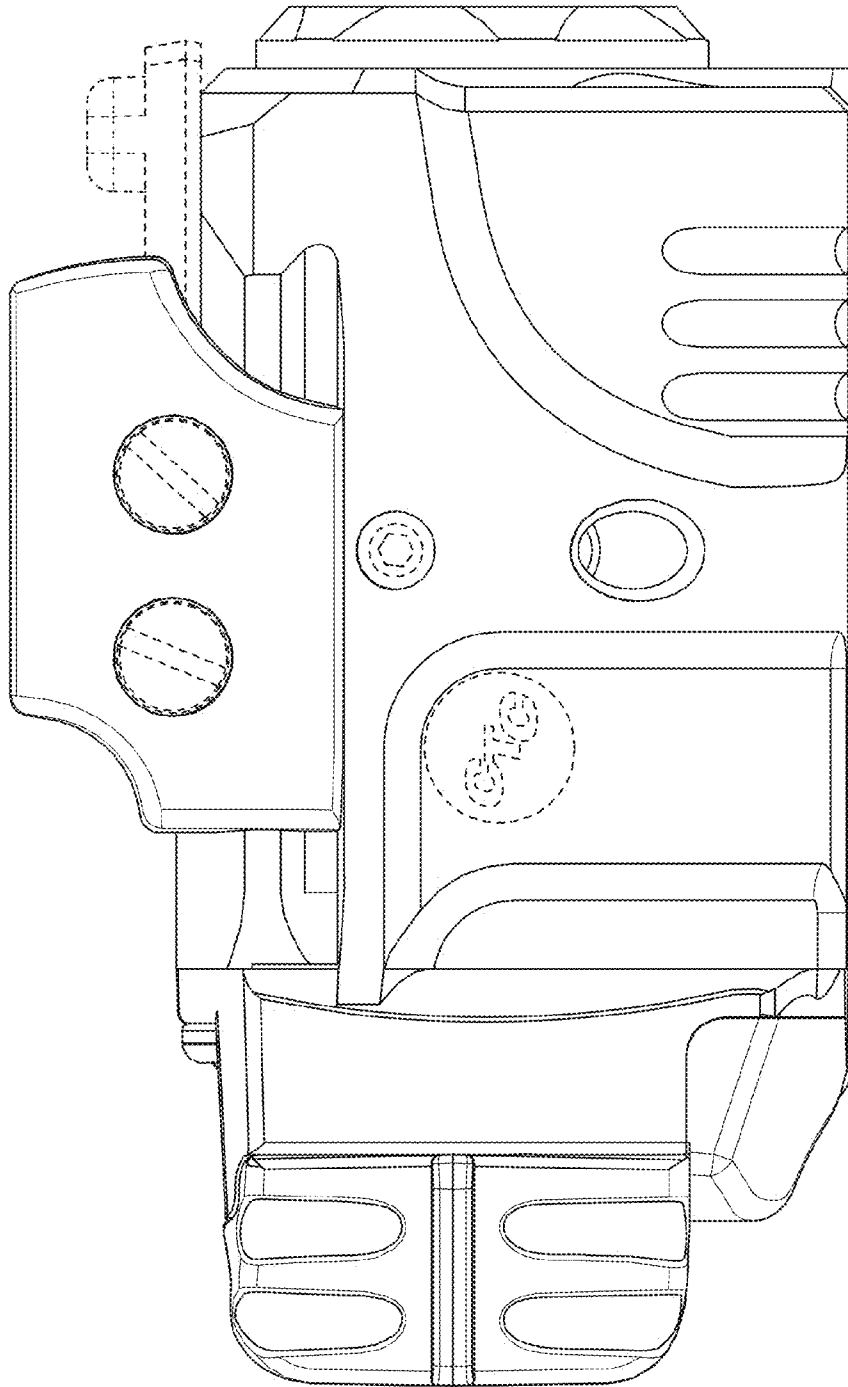


FIG. 8

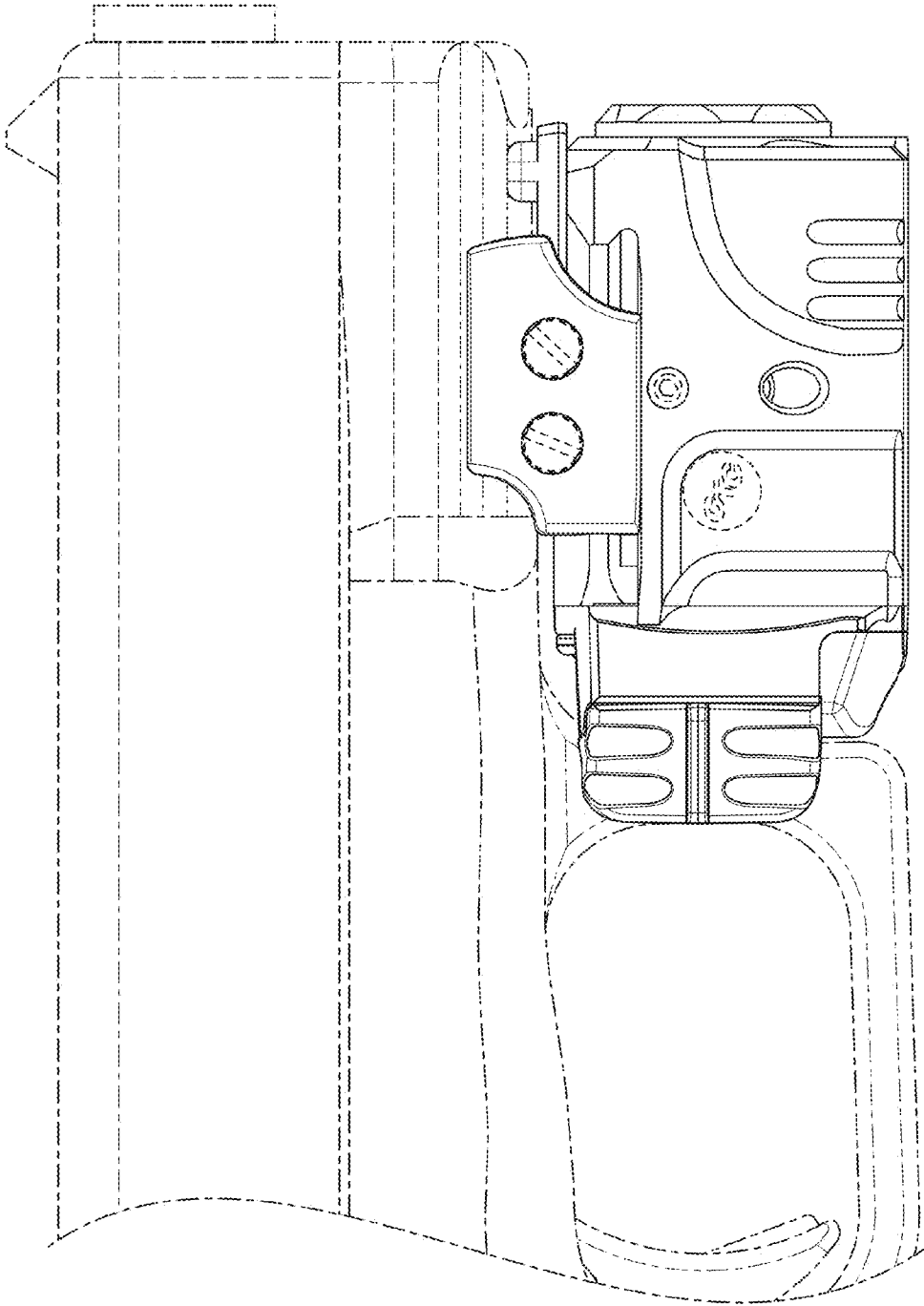


FIG. 9