



US00D733045S

(12) **United States Design Patent**  
**Venida et al.**

(10) **Patent No.:** **US D733,045 S**

(45) **Date of Patent:** **\*\* Jun. 30, 2015**

(54) **CHARGER**

(71) Applicant: **ACCO Brands Corporation**, Lake Zurich, IL (US)

(72) Inventors: **A. John Venida**, San Francisco, CA (US); **Peter A. Sgromo**, San Francisco, CA (US); **Barry Marshall**, Santa Clara, CA (US)

(73) Assignee: **ACCO Brands Corporation**, Lake Zurich, IL (US)

(\*\*) Term: **14 Years**

(21) Appl. No.: **29/471,375**

(22) Filed: **Oct. 31, 2013**

(51) **LOC (10) Cl.** ..... **13-02**

(52) **U.S. Cl.** ..... **D13/107**  
USPC .....

(58) **Field of Classification Search**

USPC ..... D13/107-110, 118-119, 184, 199;  
D14/251, 253, 432, 434

CPC ..... H02J 7/025; H02J 7/0042; H02J 7/0044;  
H02J 7/0045; H02J 7/0054; H02J 7/0003;  
B60L 11/182; Y02E 60/12; Y02T 10/7005;  
Y02T 10/7088; Y02T 90/14; Y02T 90/163;  
Y02T 90/122; Y02T 90/128; H01M 2/1022;  
H01M 2/1055; H01M 10/46; H01M 10/44;  
H01M 10/425; H01F 38/14; H01R 13/6675

See application file for complete search history.

(56) **References Cited**

**U.S. PATENT DOCUMENTS**

D340,027 S \* 10/1993 Tortola ..... D13/103  
D406,259 S \* 3/1999 Lindahl ..... D13/110  
D474,739 S \* 5/2003 Chang ..... D13/110  
D562,766 S \* 2/2008 Yang ..... D13/110

D573,946 S \* 7/2008 Ledbetter et al. .... D13/110  
D632,650 S \* 2/2011 Rashid et al. .... D13/110  
D638,355 S \* 5/2011 Chen ..... D13/110  
D638,356 S \* 5/2011 Chen ..... D13/110  
D682,202 S \* 5/2013 Weaver et al. .... D13/108  
D682,781 S \* 5/2013 Wakafuji et al. .... D13/110  
D721,328 S \* 1/2015 Freeman et al. .... D13/110  
2013/0307464 A1 \* 11/2013 Zhu ..... 320/101

**FOREIGN PATENT DOCUMENTS**

WO 2012094518 7/2012

**OTHER PUBLICATIONS**

Co-pending Design U.S. Appl. No. 29/471,377, filed Oct. 31, 2013.

\* cited by examiner

*Primary Examiner* — Rosemary K Tarcza

(74) *Attorney, Agent, or Firm* — Michael Best & Friedrich LLP

(57) **CLAIM**

We claim the ornamental design for a charger, as shown in FIGS. 1-7 and described.

**DESCRIPTION**

FIG. 1 is a perspective view of a charger according to one embodiment of the design.

FIG. 2 is a first side view of the charger of FIG. 1.

FIG. 3 is a second side view of the charger of FIG. 1.

FIG. 4 is a third side view of the charger of FIG. 1.

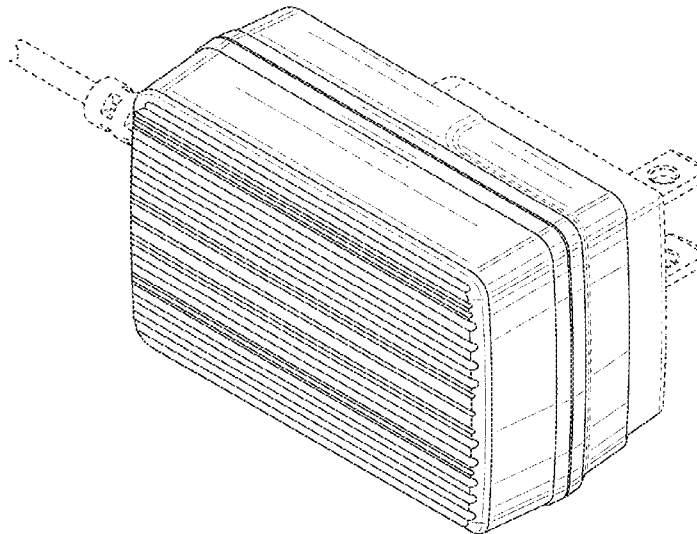
FIG. 5 is a fourth side view of the charger of FIG. 1.

FIG. 6 is a first end view of the charger of FIG. 1; and,

FIG. 7 is a second end view of the charger of FIG. 1.

The broken lines showing portions of the charger in the drawings are included for the purpose of illustrating environmental structure and form no part of the claimed design.

**1 Claim, 7 Drawing Sheets**



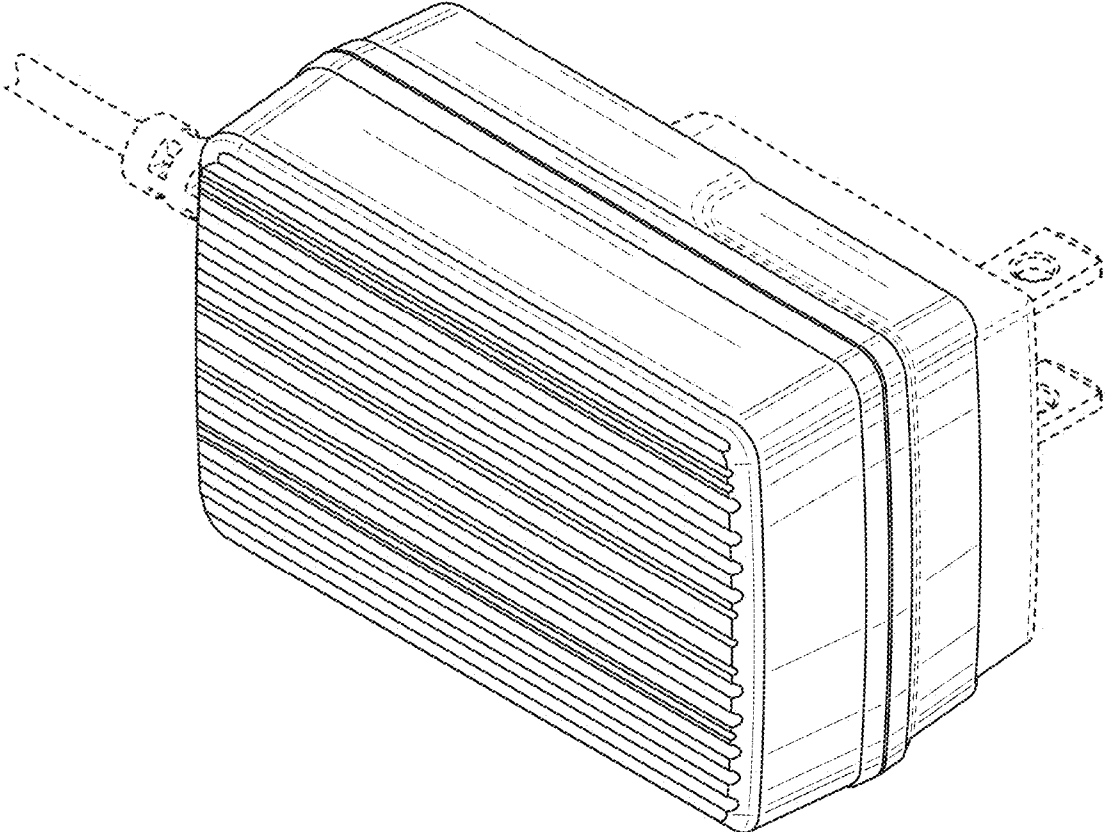


FIG. 1

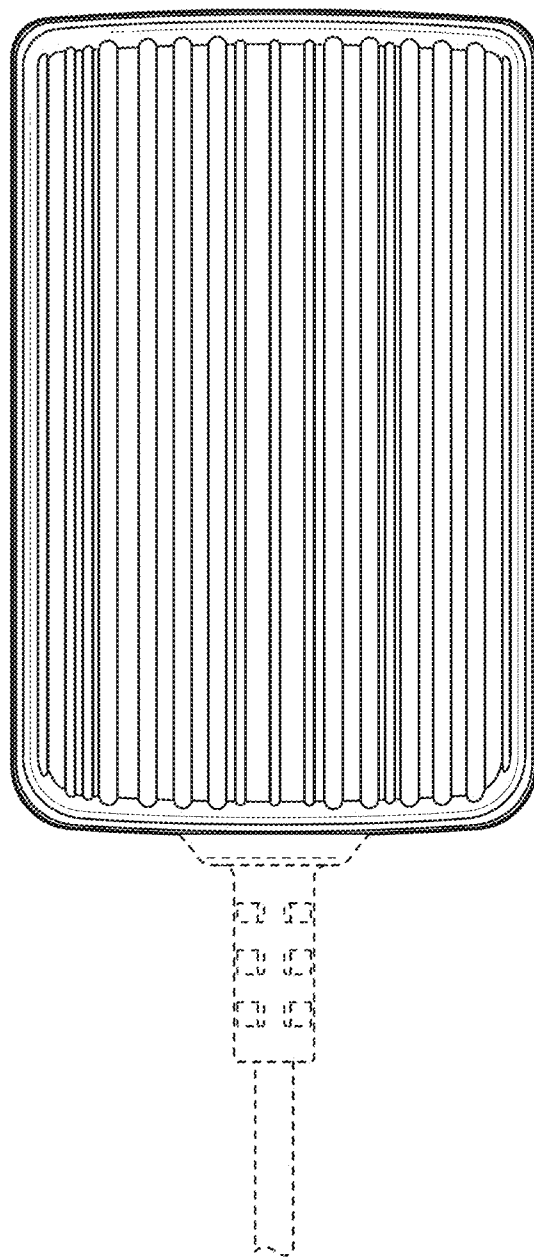


FIG. 2

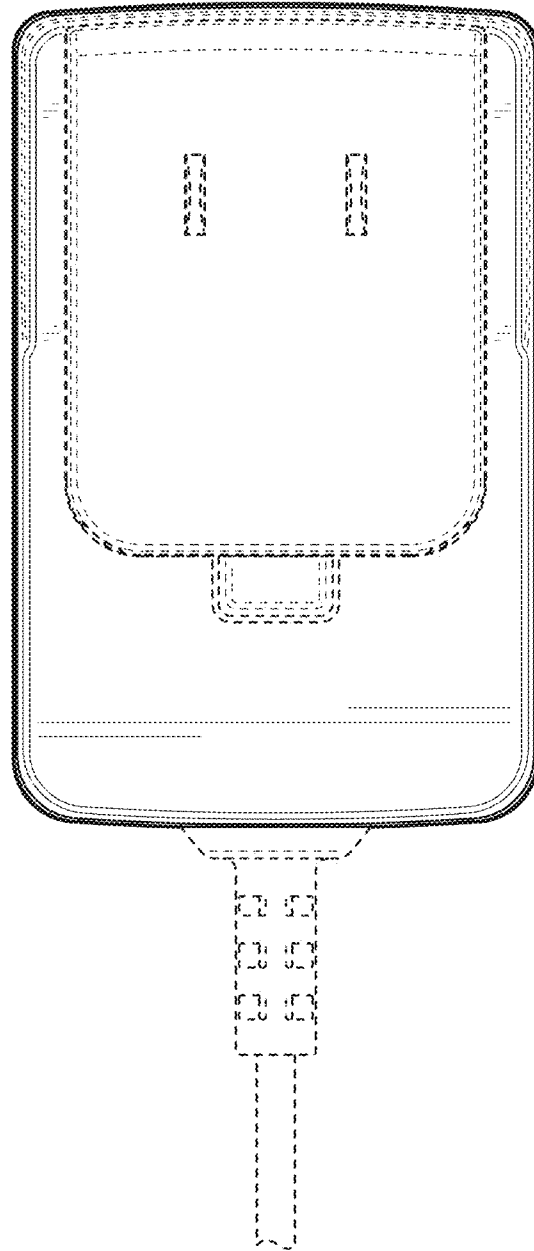


FIG. 3

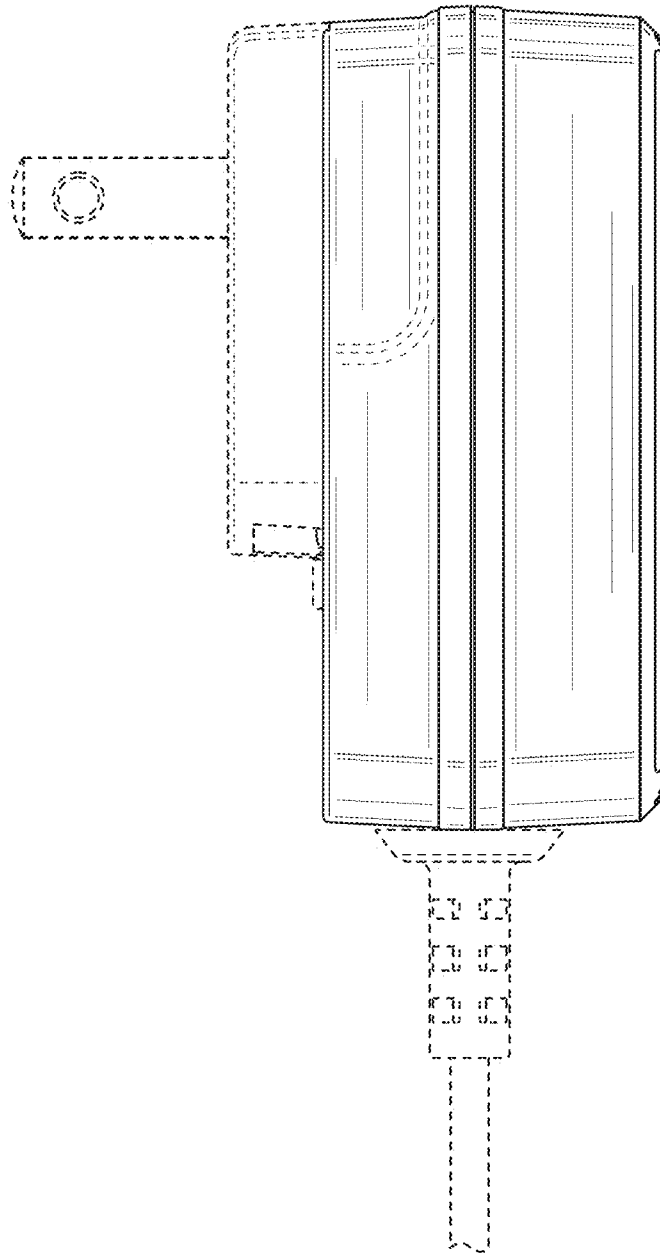


FIG. 4

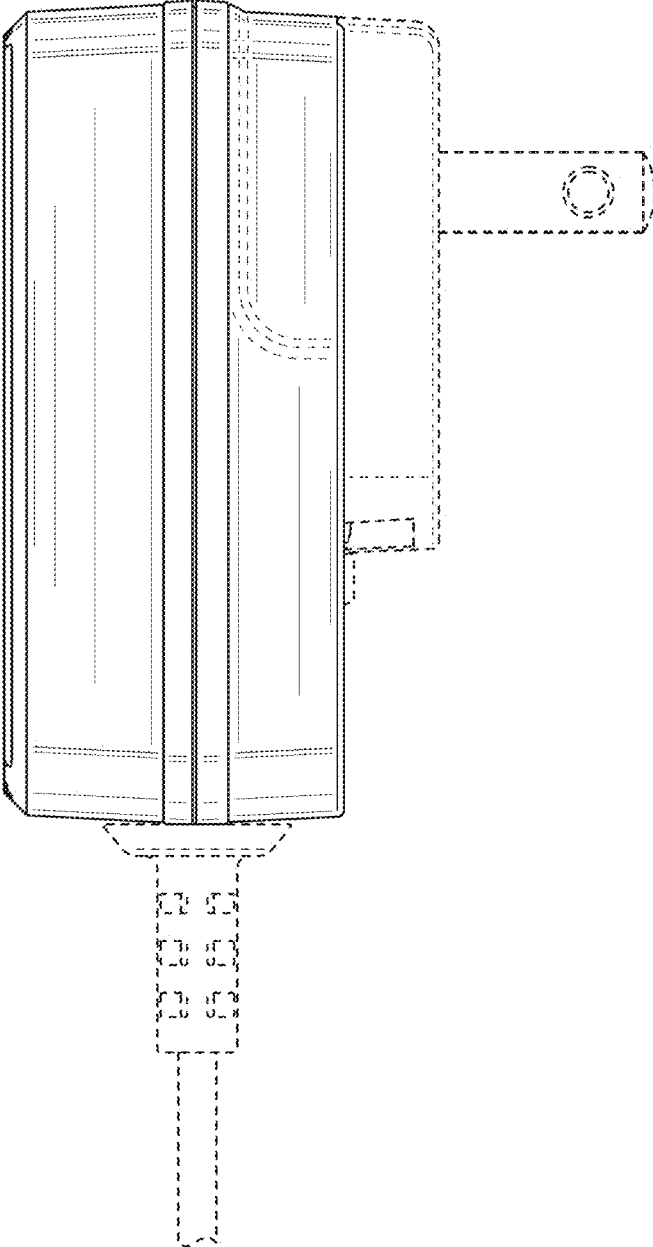


FIG. 5

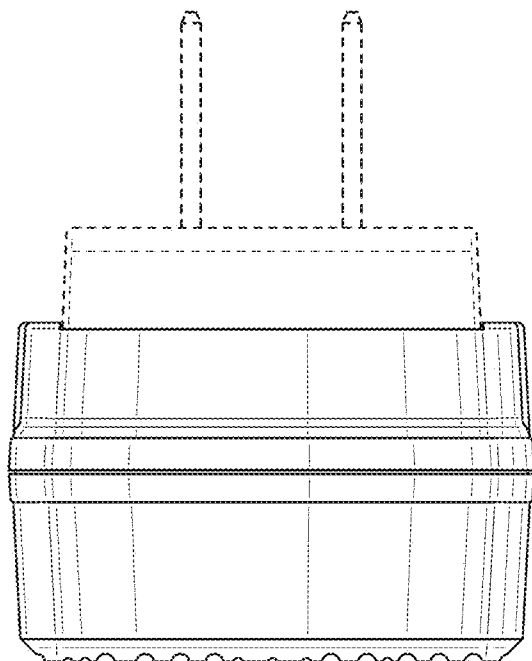


FIG. 6

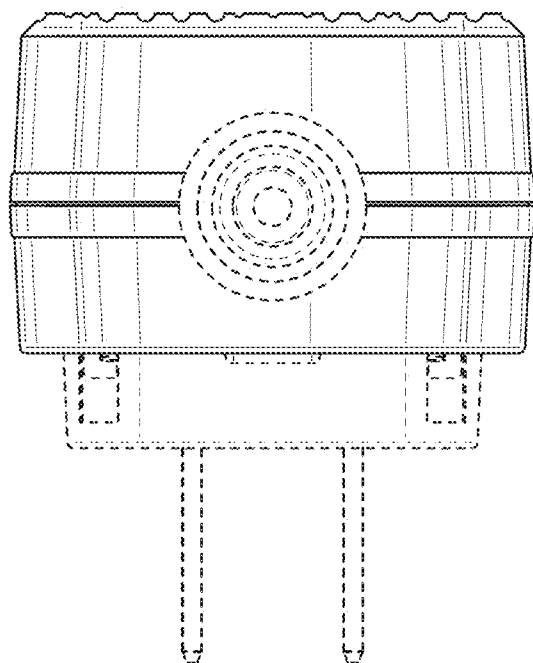


FIG. 7