





**Published:**

— *with international search report*

*For two-letter codes and other abbreviations, refer to the "Guidance Notes on Codes and Abbreviations" appearing at the beginning of each regular issue of the PCT Gazette.*

Title: Electric motor circuit with overload protection.

The invention relates to an electric motor circuit with overload protection, more in particular for a mirror construction provided with such an electric motor circuit, for use as wing mirror in a vehicle.

An electric motor can become overloaded when its movement is  
5 arrested. For example, an electric motor can be used in a motor-foldable wing mirror for a vehicle, as known, for instance, from the Dutch patent application having number 1017466, in which an example of a mechanical design of such a mirror can be found. With a motor-foldable mirror, through operation of a  
10 switch in the vehicle, the mirror can, for instance, be brought into an operative position or into a folded-in position in which the mirror is less susceptible to accidents causing damage. An operating circuit enables a motor to be activated in reaction to the switch, preferably by applying a voltage across the motor with a polarity dependent on the desired direction of rotation of the motor.

As wing mirrors sit in exposed positions, there is a considerable risk  
15 that the wing mirror during adjustment is restrained for some reason or other. As a result, the risk arises that the motor used for the adjustment sustains damage. Protective measures are required to prevent such damage.

In practice, a number of solutions for protecting an electric motor are known. For instance, the use of a PTC in the operating circuit is known (a  
20 PTC is a resistor having a Positive Temperature Coefficient, i.e. an increasing resistance value with increasing temperature). The PTC is included in series with the motor, so that the temperature of the PTC increases when too high a current flows through the motor. That is why the resistance of the PTC also increases. With too high a resistance, the current through the motor is  
25 switched off. Such a protective technique has the drawback that the temperature of the PTC decreases only gradually after the overload has gone. As a result, the motor cannot be directly switched on again when the cause of the overload has gone. Further, such a protective technique makes the wing

mirror more complex and susceptible to supply voltage fluctuations. As a result, a margin of safety against such fluctuations has to be maintained which, in turn, increases the electricity consumption of the mirror.

Generally, wing mirrors are exposed to great temperature extremes.

5 On frosty days, the temperature can drop far below zero degrees Celsius while the temperature of the wing mirror in the sun can easily exceed fifty degrees Celsius. This also imposes high demands on the protective circuit which raise the costs of wing mirrors further.

One object of the invention is to provide for an electric motor circuit  
10 which protects the motor from overload and with which, directly upon disappearance of the cause of the overload, the motor can be switched on again.

Another object of the invention is to provide for an electric motor circuit wherein, in a simple manner, the protection is made insensitive to  
15 temperature fluctuations.

It is a further object of the invention to provide for an electric motor circuit with a protection which is effective over a broad temperature range and/or at supply voltages with different polarity.

The invention provides for an electric motor circuit according to  
20 claim 1. It is provided with a relay switch element (for instance a coil-operated switch) in series with the motor. Under normal conditions, the relay switch element is maintained in a conducting position with an exciting coil which is connected in parallel with the motor. When the current through the motor rises because its motion is blocked, a deenergizing coil, included in series with  
25 the motor, switches the relay switch element to a non-conducting position. Thus, a circuit is provided which works with supply voltages of different polarities, and which is robust and little susceptible to temperature fluctuations. Moreover, the circuit is insensitive to supply voltage variations because the deenergizing coil and the exciting coil are operated by the same  
30 supply.

Preferably, a winding of the motor and a winding of the deenergizing coil are wound from material (preferably the same material) having substantially the same resistance temperature dependency, and the windings of the motor and the deenergizing coil are mounted in heat-conducting contact with each other. Thus, the protection is even less susceptible to temperature fluctuations. Preferably, at least the deenergizing coil and the motor are included in the same housing to minimize the temperature dependency. Preferably, also the exciting coil is wound of such material and included in the housing to even further minimize the temperature dependency.

10 Preferably, the relay switch element comprises a single switch whose position is influenced both by the exciting coil and the deenergizing coil. This reduces the costs of the circuit.

The exciting coil and the deenergizing coil are preferably included in the circuit whilst wound around a common core, for influencing the relay switch element. This reduces the costs of the circuit.

15 In particular, preferably, a mirror construction for a vehicle is provided with such a circuit. The deenergizing coil is preferably included together with the motor in the housing of the mirror construction, to guarantee the same temperature behavior.

20 These and other objectives and advantageous aspects of the circuit and mirror construction according to the invention will be described further with reference to the following Figures.

25 Fig. 1 shows a wing mirror for a motor vehicle;  
Fig. 2 shows a circuit for controlling the motor of the mirror adjusting mechanism.

30 Fig. 1 shows a mount for a wing mirror for a motor vehicle in cross section. The mount is provided with a fixed part 10 for mounting to a vehicle

(not shown) and a pivotable part 12 which is fitted so as to be pivotable about a shaft 14 relative to fixed part 10. Pivotable part 12 contains mounting holes 16 to which a wing mirror (not shown) for the vehicle is fitted. In the mount, a motor 18 is included which is coupled to a shaft 14 for pivoting the pivotable  
5 part relative to the fixed part 10 (for instance with a transverse coupling using a worm wheel (not shown) on the shaft of the motor and a toothed wheel (not shown) on the rotary shaft 14. Pivotable part 12 also forms the housing of motor 18.

Motor 18 serves, for example, for adjusting the mirror angle.

10 Motor 18 is switched on when adjusting the position of pivotable part 12 and hence of the mirror (not shown) relative to fixed part 10. When pivotable part 12 reaches its end position, the motor is to be automatically switched off to prevent overload.

The construction of such a wing mirror mount and the manner of  
15 incorporating therein one or more actuator mechanisms is sufficiently known to the skilled person and will therefore not be further elucidated here. Although only an actuator mechanism for pivotal movement about a substantially vertical axis is shown, it is evident that also other actuator mechanisms for rotations about other axes can be provided. It will also be clear  
20 that motor 18 can equally be included in fixed part 10, with fixed part 10 then forming the housing of motor 18.

Fig. 2 shows a circuit for controlling a motor 20, for instance for use in a mirror adjusting mechanism. The circuit has feed connections 21a,b and includes a relay switch 22, a capacitor 24, a resistor 29, a switch-on coil 25, an  
25 exciting coil 26 and a deenergizing coil 28. The relay switch 22 is included in series with motor 20 between feed connections 21a,b. Switch-on coil 25 and exciting coil 26 are coupled to relay switch 22 for, at a given polarity of the feed voltage, both applying a force rendering the relay switch 22 conductive. Deenergizing coil 28 is also coupled to relay switch 22, but with a polarization

acting counter to the switch-on coil 25 and exciting coil 26, for applying a force rendering the relay switch 22 non-conductive.

Deenergizing coil 28 is included in series with relay switch 22 and motor 20 between feed connections 21a,b. Capacitor 24 and switch-on coil 25 are included in series with each other and in parallel with the series connection of deenergizing coil 28, relay switch 22 and motor 20 between feed connections 21a,b. Resistor 29 is included in parallel with the series connection of capacitor 24 and switch-on coil 25. Exciting coil 26 is included in series with relay switch 22, but in parallel with motor 20 between feed connections 21a,b.

In operation, motor 20 is switched on by providing a step in the supply voltage between feed connections 21a,b, for instance from zero volt to a negative or a positive value. Through the step, temporarily, a current is formed through switch-on coil 25 generating a force which brings the relay switch 22 in a conductive position. The duration of this current is limited by the presence of capacitor 24 and resistor 29.

When relay switch 22 enters the conductive state, a current starts to flow through motor 20 and through exciting coil 26. The current through the exciting coil 26 leads to a force on relay switch 22 maintaining this relay switch 22 in the conductive position. Consequently, current continues to flow through motor 20 and exciting coil 26, so that motor 20 adjusts the position of the mirror mechanism.

Deenergizing coil 28 serves for deenergizing relay switch 22 when the mirror mechanism reaches its end position. The current through motor 20 also flows through deenergizing coil 28, which, as a result, generates a force on relay switch 22. This force is contrary to the force generated by exciting coil 26. Deenergizing coil 28 and exciting coil 26 are dimensioned such that under normal conditions (when motor 20 runs normally) this opposite force is insufficient for bringing the relay switch 22 in the non-conductive position.

However, when the motor, for some reason or other, no longer runs (for instance because the mirror mechanism has reached its end position, or

because the mechanism is restrained in another manner), the current through motor 20 and deenergizing coil 28 increases. As a result, also the counter-force generated by deenergizing coil 28 increases, resulting in the relay switch 22 being switched into the non-conductive position. As a result, the current  
5 through motor 20 fails. Thus, motor 20 is protected from overloading.

It will be clear that the circuit works independently of the polarity of the voltage across feed connections 21a,b. By utilizing both possible polarities, motor 20 can be made to rotate in two mutually opposite directions.

The circuit of switch-on coil 25, capacitor 24 and resistor 29, which  
10 serves for initially switching on the relay switch 22, is not essential to this protection. Instead of this circuit, other constructions can be used, such as a switch which temporarily bridges relay switch 22, as long as these constructions do not permanently supply current to motor 20.

Also, relay switch 22 could be replaced by a series connection of  
15 relay switches (not shown) which, through an exciting coil 26 and deenergizing coil 28, respectively, can be switched into a conductive and non-conductive position. However, the use of a single switch which is operated by both exciting coil 26 and deenergizing coil 28 reduces the costs of the switch, the more so because switch-on coil 25 too operates the same relay switch 22.

20 Preferably, exciting coil 26 and deenergizing coil 28 are wound around a common magnetic core (not shown), with which the magnetic field used for switching the relay switch 22 is generated. The invention thus provides for a relay with a relay switch 22 and two or three arrays of windings through which, separately from each other, current can be sent. Preferably, of  
25 each array of windings, one extremity is coupled to a common connection of the relay, in such a manner that currents flowing in the same direction through deenergizing coil 28 and exciting coil 26 to this connection, exert a mutually oppositely directed force on the switch.

Preferably, switch-on coil 25 too is wound around this core. If switch-  
30 on coil 25 is present, it preferably also has an end which is coupled to the

connection, such that currents flowing in the same direction through switch-on coil 25 and exciting coil 26 to this connection exert forces in the same direction on the switch.

Further, preferably, at least deenergizing coil 28 is in heat contact  
5 with motor 20, and motor 20 and deenergizing coil 28 contain windings of material having substantially the same resistance temperature dependency. Thus, the protective action of the circuit is screened from temperature sensitivity. Thus, increase of the resistance of the motor does not lead to insufficient current through the deenergizing coil 28, as a result of which the  
10 protection would not work. Thus, the deenergizing coil 28 can be designed with a limited margin of safety so that it is possible to minimize losses due to the presence of deenergizing coil 28.

Preferably, at least deenergizing coil 28 and motor 20 are jointly included in one and the same housing, for instance of the mirror construction.  
15 Thus, both are exposed to the same temperature influences for screening the protective action of the circuit from temperature sensitivity. Optionally, motor 20 and deenergizing coil 28 could also be included in pivotable part 12 and fixed part 10 of the mirror construction, respectively, or the other way around, so that fixed part 10 and pivotable part 12 together form the housing.  
20 In that case too, both are exposed to the same temperature influences outside of the vehicle. Accommodation in one and the same space of the same part (fixed part 10 or pivotable part 12) has the additional advantage that temperature influences coincide even more.

Also the windings of exciting coil 26 are preferably of the same  
25 material as the windings of motor 20. This also makes it possible to construct the exciting coil 26 in a manner such that losses due to exciting coil 26 are minimized.

Claims

1. An electric motor circuit provided with
  - a motor;
  - a driving circuit for the motor, provided with a relay switch element included in series with the motor and a protecting circuit for bringing the relay switch element into a non-conductive position at an overload of the motor;

5 which protecting circuit is provided with

  - an exciting coil for bringing the relay switch element in a conductive position, which exciting coil is included in parallel with the motor and in series with the relay switch element;
  - 10 - a deenergizing coil in series with the motor for bringing the relay switch element into a non-conductive position when a current through the deenergizing coil and the motor exceeds a threshold value.
2. An electric motor circuit according to claim 1, wherein a winding of the motor and a winding of the deenergizing coil are wound of a material  
15 having substantially the same resistance temperature dependency, and that the windings of the motor and the deenergizing coil are mounted in heat-conductive contact with each other.
3. An electric motor circuit according to any one of the preceding claims, wherein the relay switch element contains a single switch whose  
20 position is influenced both by the exciting coil and the deenergizing coil.
4. An electric motor circuit according to any one of the preceding claims, provided with a switch-on coil in a circuit which is arranged for having a temporary current flow through the switch-on coil when voltage is applied across the series connection of the motor and the relay switch element, which  
25 switch-on coil is coupled to the relay switch element for bringing the relay switch element into a conductive position with the temporary current.

5. A mirror construction provided with an electric motor circuit according to any one of the preceding claims, comprising
- a support for mounting the mirror construction;
  - a carrier for a mirror;
- 5 - wherein the motor is coupled to the support and the carrier for pivoting the carrier relative to the support.
6. A mirror construction according to claim 5, provided with a housing in which the motor and the deenergizing coil are included.
7. A mirror construction according to claim 6, wherein also the exciting
- 10 coil is included in the housing.

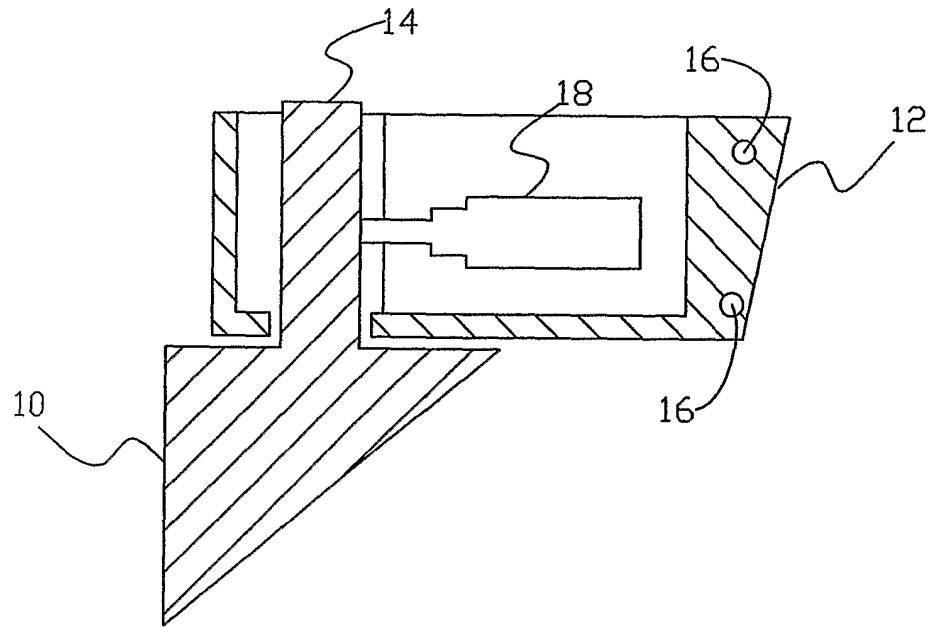


Fig. 1

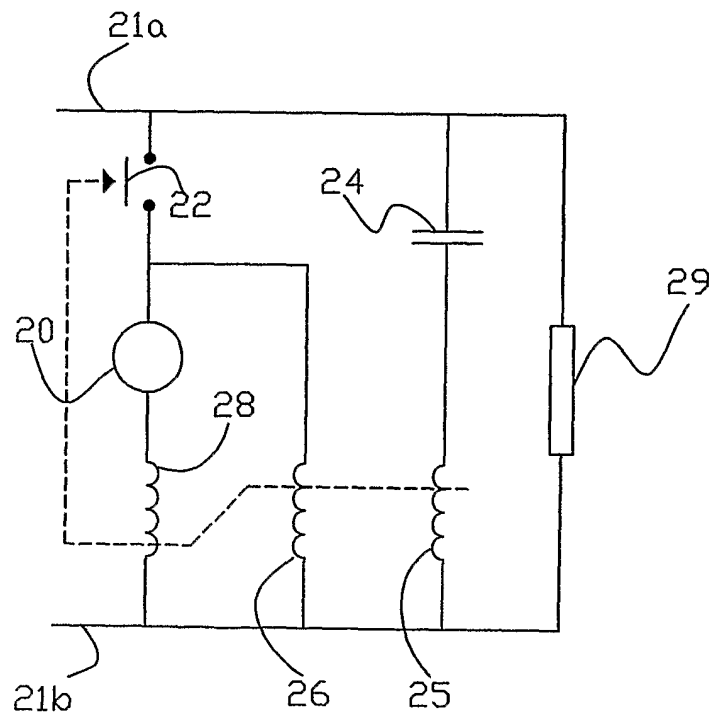


Fig.2

INTERNATIONAL SEARCH REPORT

Application No  
PCT/NL 03/00614

**A. CLASSIFICATION OF SUBJECT MATTER**  
IPC 7 B60R1/074 B60R1/07

According to International Patent Classification (IPC) or to both national classification and IPC

**B. FIELDS SEARCHED**  
Minimum documentation searched (classification system followed by classification symbols)  
IPC 7 B60R H02P H02H

Documentation searched other than minimum documentation to the extent that such documents are included in the fields searched

Electronic data base consulted during the International search (name of data base and, where practical, search terms used)  
EPO-Internal, WPI Data, PAJ

**C. DOCUMENTS CONSIDERED TO BE RELEVANT**

| Category ° | Citation of document, with indication, where appropriate, of the relevant passages                                                                                                   | Relevant to claim No. |
|------------|--------------------------------------------------------------------------------------------------------------------------------------------------------------------------------------|-----------------------|
| A          | EP 0 735 666 A (ICHIKO INDUSTRIES LTD)<br>2 October 1996 (1996-10-02)<br>column 5, line 9 -column 6, line 16;<br>figures                                                             | 1-7                   |
| A          | PATENT ABSTRACTS OF JAPAN<br>vol. 2002, no. 11,<br>6 November 2002 (2002-11-06)<br>-& JP 2002 209333 A (ICHIKOH IND LTD),<br>26 July 2002 (2002-07-26)<br>abstract; figures          | 1-7                   |
| A          | PATENT ABSTRACTS OF JAPAN<br>vol. 2002, no. 05, 3 May 2002 (2002-05-03)<br>-& JP 2002 027769 A (MATSUSHITA ELECTRIC<br>WORKS LTD), 25 January 2002 (2002-01-25)<br>abstract; figures | 1-7                   |
|            | -/--                                                                                                                                                                                 |                       |

Further documents are listed in the continuation of box C.  Patent family members are listed in annex.

° Special categories of cited documents:

|                                                                                                                                                                         |                                                                                                                                                                                                                                                   |
|-------------------------------------------------------------------------------------------------------------------------------------------------------------------------|---------------------------------------------------------------------------------------------------------------------------------------------------------------------------------------------------------------------------------------------------|
| *A* document defining the general state of the art which is not considered to be of particular relevance                                                                | *T* later document published after the international filing date or priority date and not in conflict with the application but cited to understand the principle or theory underlying the invention                                               |
| *E* earlier document but published on or after the international filing date                                                                                            | *X* document of particular relevance; the claimed invention cannot be considered novel or cannot be considered to involve an inventive step when the document is taken alone                                                                      |
| *L* document which may throw doubts on priority claim(s) or which is cited to establish the publication date of another citation or other special reason (as specified) | *Y* document of particular relevance; the claimed invention cannot be considered to involve an inventive step when the document is combined with one or more other such documents, such combination being obvious to a person skilled in the art. |
| *O* document referring to an oral disclosure, use, exhibition or other means                                                                                            | *Z* document member of the same patent family                                                                                                                                                                                                     |
| *P* document published prior to the international filing date but later than the priority date claimed                                                                  |                                                                                                                                                                                                                                                   |

|                                                                                     |                                                                         |
|-------------------------------------------------------------------------------------|-------------------------------------------------------------------------|
| Date of the actual completion of the international search<br><b>31 October 2003</b> | Date of mailing of the international search report<br><b>11/11/2003</b> |
|-------------------------------------------------------------------------------------|-------------------------------------------------------------------------|

|                                                                                                                                                                                        |                                            |
|----------------------------------------------------------------------------------------------------------------------------------------------------------------------------------------|--------------------------------------------|
| Name and mailing address of the ISA<br>European Patent Office, P.B. 5818 Patentlaan 2<br>NL - 2280 HV Rijswijk<br>Tel. (+31-70) 340-2040, Tx. 31 651 epo nl,<br>Fax: (+31-70) 340-3016 | Authorized officer<br><b>Daehnhardt, A</b> |
|----------------------------------------------------------------------------------------------------------------------------------------------------------------------------------------|--------------------------------------------|

## INTERNATIONAL SEARCH REPORT

Application No  
PCT/NL 03/00614

| C.(Continuation) DOCUMENTS CONSIDERED TO BE RELEVANT |                                                                                                                                                                                  |                       |
|------------------------------------------------------|----------------------------------------------------------------------------------------------------------------------------------------------------------------------------------|-----------------------|
| Category *                                           | Citation of document, with indication, where appropriate, of the relevant passages                                                                                               | Relevant to claim No. |
| A                                                    | PATENT ABSTRACTS OF JAPAN<br>vol. 1999, no. 08,<br>30 June 1999 (1999-06-30)<br>-& JP 11 089261 A (ICHIKOH IND LTD),<br>30 March 1999 (1999-03-30)<br>abstract; figures<br>----- | 1-7                   |
| A                                                    | NL 1 017 466 C (IKU HOLDING MONTFOORT BV)<br>29 August 2002 (2002-08-29)<br>cited in the application<br>abstract; figures<br>-----                                               | 1,5                   |

## INTERNATIONAL SEARCH REPORT

Application No  
PCT/NL 03/00614

| Patent document cited in search report |   | Publication date | Patent family member(s) | Publication date |
|----------------------------------------|---|------------------|-------------------------|------------------|
| EP 0735666                             | A | 02-10-1996       | JP 3237446 B2           | 10-12-2001       |
|                                        |   |                  | JP 8275567 A            | 18-10-1996       |
|                                        |   |                  | DE 69604435 D1          | 04-11-1999       |
|                                        |   |                  | DE 69604435 T2          | 09-03-2000       |
|                                        |   |                  | EP 0735666 A2           | 02-10-1996       |
|                                        |   |                  | KR 216416 B1            | 16-08-1999       |
|                                        |   |                  | US 5793171 A            | 11-08-1998       |
| -----                                  |   |                  |                         |                  |
| JP 2002209333                          | A | 26-07-2002       | NONE                    |                  |
| -----                                  |   |                  |                         |                  |
| JP 2002027769                          | A | 25-01-2002       | NONE                    |                  |
| -----                                  |   |                  |                         |                  |
| JP 11089261 9                          | A |                  | NONE                    |                  |
| -----                                  |   |                  |                         |                  |
| NL 1017466                             | C | 29-08-2002       | NL 1017466 C2           | 29-08-2002       |
|                                        |   |                  | WO 02068242 A1          | 06-09-2002       |
| -----                                  |   |                  |                         |                  |