



US00D803843S

(12) **United States Design Patent**
Chang et al.

(10) **Patent No.:** **US D803,843 S**

(45) **Date of Patent:** **** Nov. 28, 2017**

- (54) **LIGHTNING FLASH DRIVE**
- (71) Applicant: **ADAM ELEMENTS INTERNATIONAL CO., LTD.**, Taipei (TW)
- (72) Inventors: **Chung-Ying Chang**, Taipei (TW); **Hung-Yi Lin**, Taipei (TW); **Hao-Ming Chang**, Taipei (TW)
- (73) Assignee: **ADAM ELEMENTS INTERNATIONAL CO., LTD.**, Taipei (TW)

D623,192	S *	9/2010	Peng	D14/480.6
D624,553	S *	9/2010	Mamone	D14/480.5
D670,711	S *	11/2012	Ma	D14/480.1
8,514,560	B2 *	8/2013	Wu	H05K 5/0208 361/679.31
D711,891	S *	8/2014	Emami	D14/480.5
D721,714	S *	1/2015	Enayati	D14/480.6
D724,600	S *	3/2015	Hsieh	D14/480.1
D754,139	S *	4/2016	Billington	D14/480.1
D754,141	S *	4/2016	Billington	D14/480.6
9,431,747	B1 *	8/2016	Huang	H01R 13/44
2011/0237099	A1 *	9/2011	Ni	G06K 19/07732 439/142

* cited by examiner

(**) Term: **15 Years**

Primary Examiner — Angela J Lee

(21) Appl. No.: **29/580,514**

(74) *Attorney, Agent, or Firm* — Leong C. Lei

(22) Filed: **Oct. 11, 2016**

(30) **Foreign Application Priority Data**

May 27, 2016 (TW) 105303029

(51) **LOC (10) Cl.** **14-02**

(52) **U.S. Cl.**
USPC **D14/480.6**

(58) **Field of Classification Search**
USPC D14/480.1–480.7, 435.1, 411, 433, 436,
D14/484.1, 137, 155, 203.1–203.8, 240,
D14/242; D13/133, 154
CPC H05K 5/0278; G06K 19/07732
See application file for complete search history.

(56) **References Cited**

U.S. PATENT DOCUMENTS

D581,926	S *	12/2008	Kim	D14/480.6
D620,015	S *	7/2010	Nan	D14/480.6

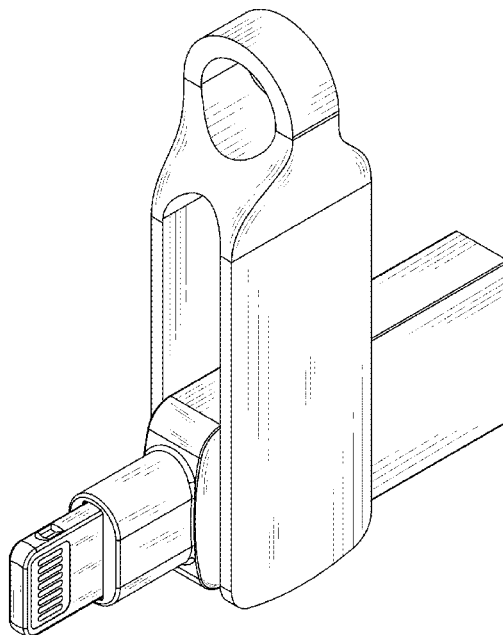
(57) **CLAIM**

The ornamental design for a lightning flash drive, as shown and described.

DESCRIPTION

FIG. 1 is a perspective view of a lightning flash drive showing our new design;
FIG. 2 is a front elevational view thereof;
FIG. 3 is a rear elevational view thereof;
FIG. 4 is a left side view thereof;
FIG. 5 is a right side view thereof;
FIG. 6 is a top plan view thereof;
FIG. 7 is a bottom plan view thereof;
FIG. 8 is another perspective view thereof; and,
FIG. 9 is another perspective view thereof.

1 Claim, 6 Drawing Sheets



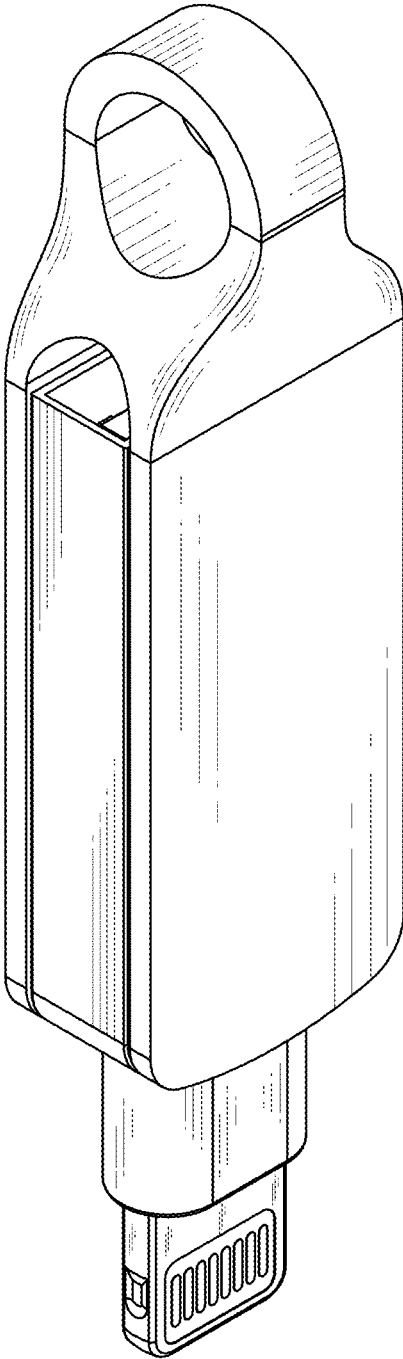


Fig. 1

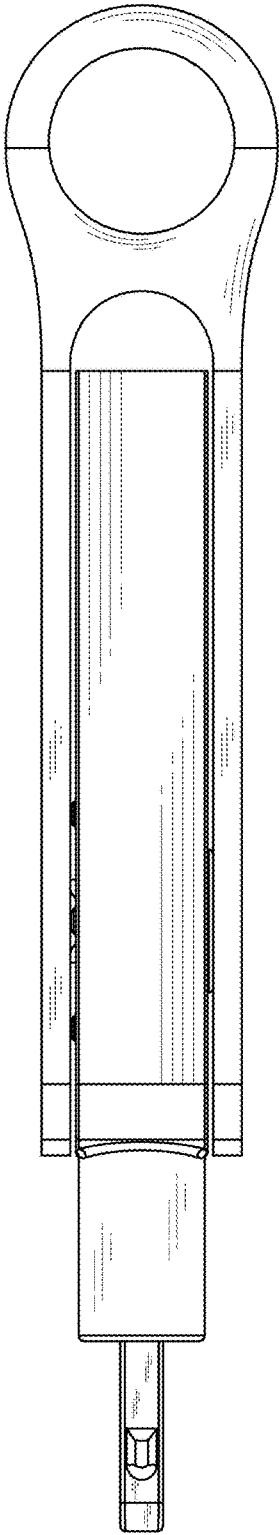


Fig. 2

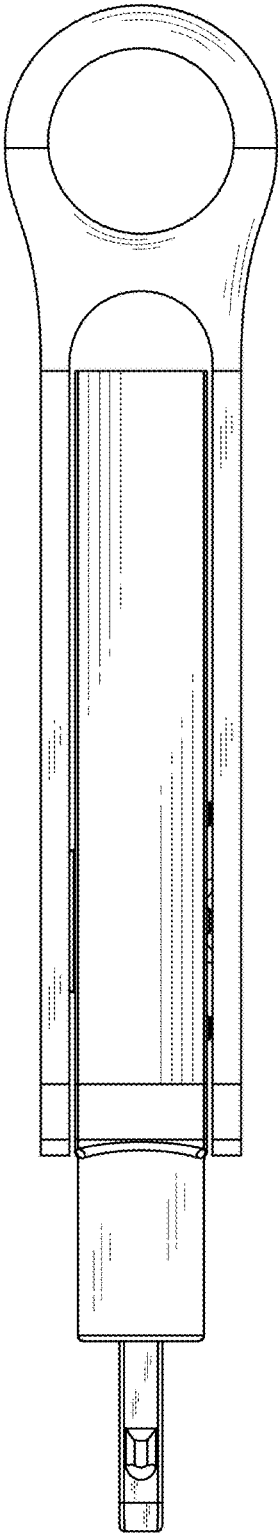


Fig. 3

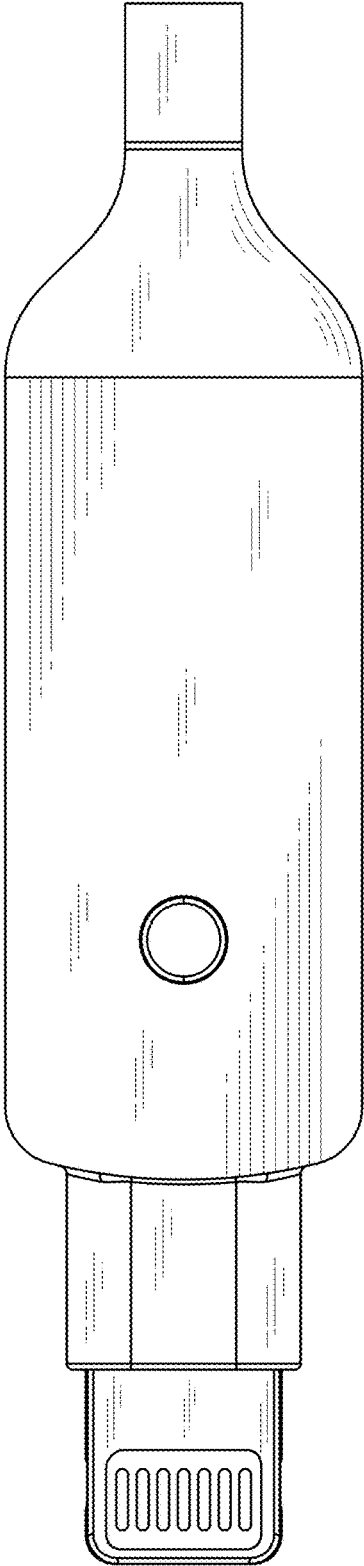


Fig. 4

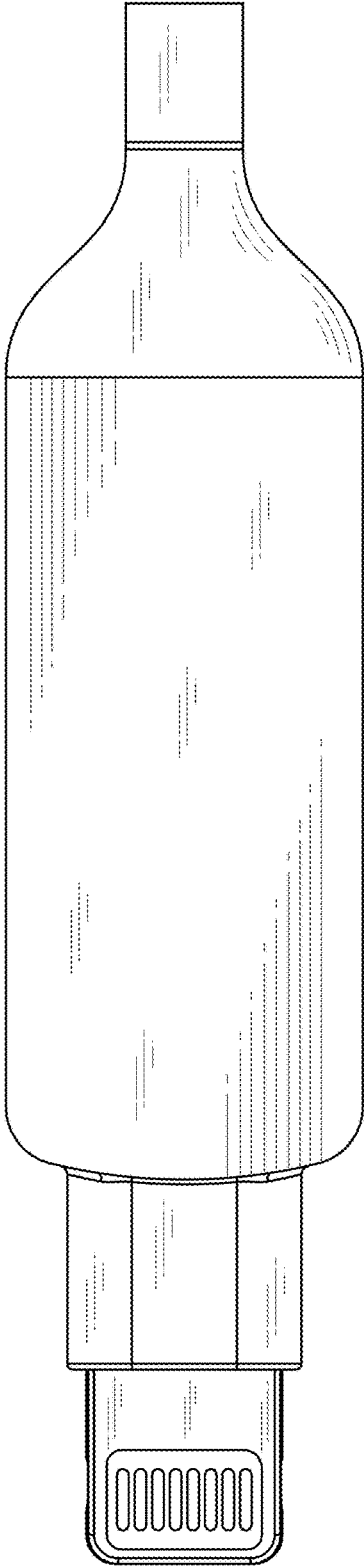


Fig. 5

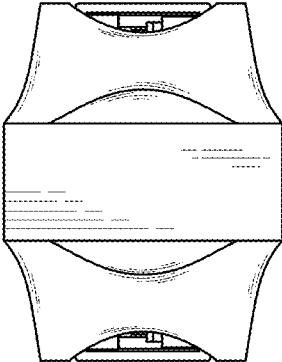


Fig. 6

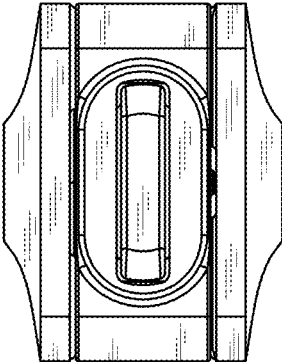


Fig. 7

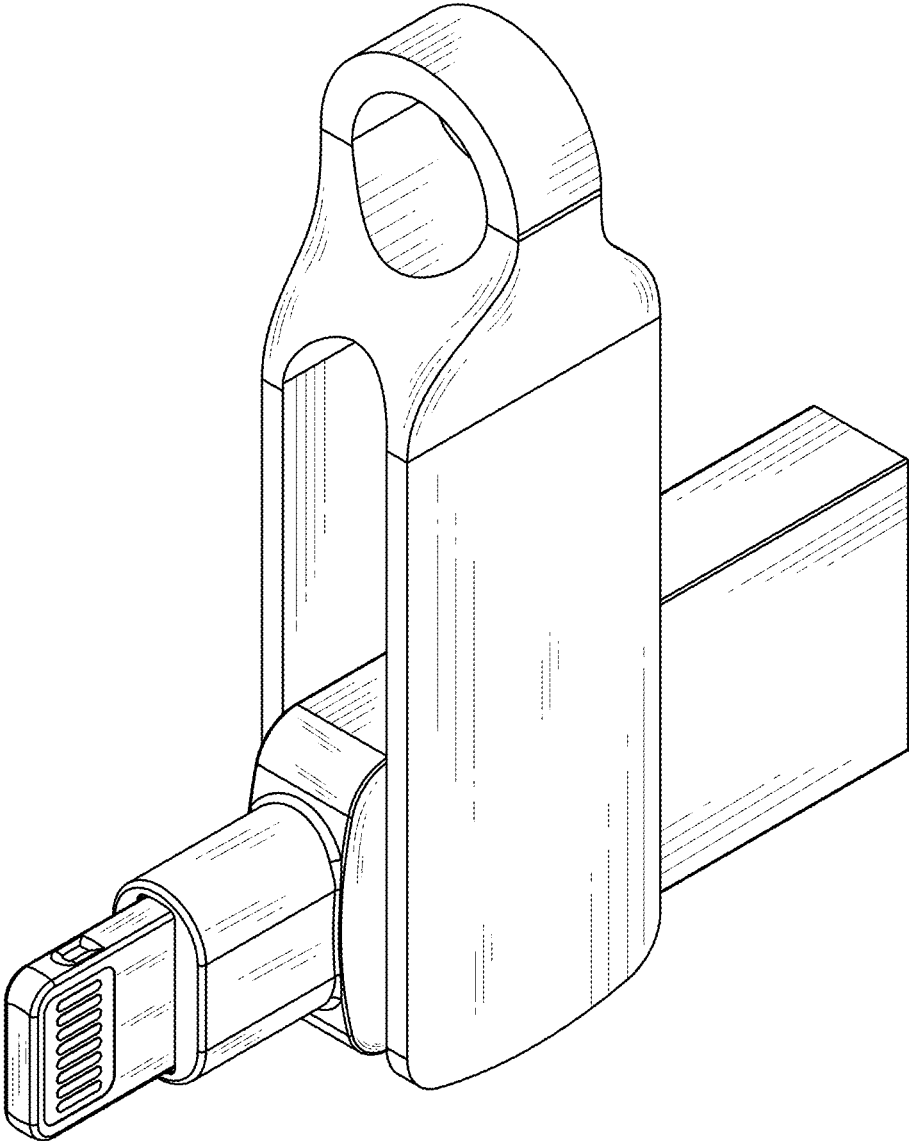


Fig. 8

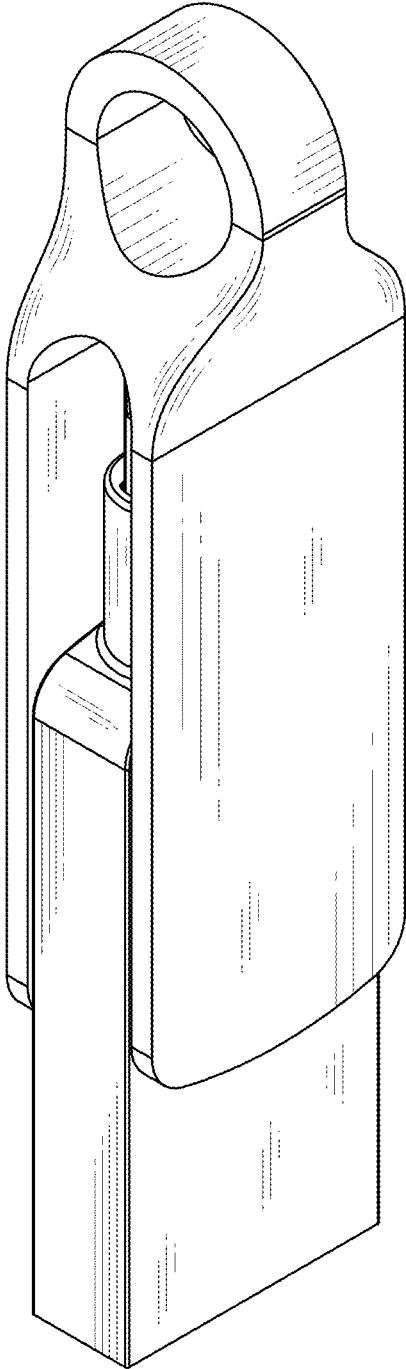


Fig. 9