



US00D997357S

(12) **United States Design Patent**
Kim

(10) **Patent No.:** **US D997,357 S**

(45) **Date of Patent:** **** Aug. 29, 2023**

(54) **ABUTMENT FOR DENTAL IMPLANT**

D611,604 S * 3/2010 Aoyagi D24/156
D663,419 S * 7/2012 Mashio D24/156
D733,885 S * 7/2015 Andersin D24/156
D734,464 S * 7/2015 Andersin D24/156
D740,425 S * 10/2015 Saltell D24/156

(71) Applicant: **TRUABUTMENT KOREA, INC.,**
Bucheon-si (KR)

(72) Inventor: **HaengOh Kim**, Busan (KR)

* cited by examiner

(73) Assignee: **TRUABUTMENT KOREA, INC.,**
Bucheon-si (KR)

Primary Examiner — Charles D Hanson
(74) *Attorney, Agent, or Firm* — NSIP Law

(**) Term: **15 Years**

(57) **CLAIM**
I claim the ornamental design for an abutment for dental implant, as shown and described.

(21) Appl. No.: **29/817,775**

DESCRIPTION

(22) Filed: **Dec. 3, 2021**

(30) **Foreign Application Priority Data**

Oct. 7, 2021 (KR) 30-2021-0047485

(51) **LOC (14) Cl.** **24-02**

(52) **U.S. Cl.**
USPC **D24/156**

(58) **Field of Classification Search**
USPC D24/156
CPC A61C 8/0001
See application file for complete search history.

FIG. 1 is a front perspective view of an abutment for dental implant showing my new design;
FIG. 2 is a front view thereof;
FIG. 3 is a rear view thereof;
FIG. 4 is a left-side view thereof;
FIG. 5 is a right-side view thereof;
FIG. 6 is a top view thereof;
FIG. 7 is a bottom view thereof;
FIG. 8 is a bottom perspective view thereof;
FIG. 9 is a cross-sectional view taken through line A-A' in FIG. 2; and,
FIG. 10 is a cross-sectional view taken through line B-B' in FIG. 3.

The broken lines in the figures depict portions of the abutment for dental implant which form no part of the claimed design.

(56) **References Cited**

U.S. PATENT DOCUMENTS

D587,373 S * 2/2009 Purga D24/156
D611,603 S * 3/2010 Noguchi D24/156

1 Claim, 10 Drawing Sheets

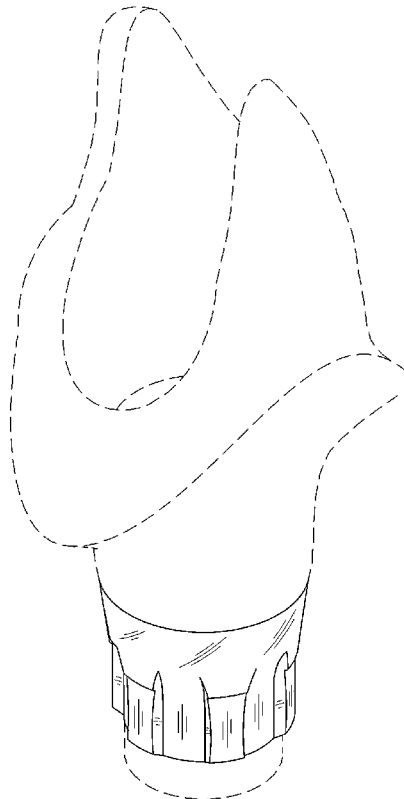


FIG.1

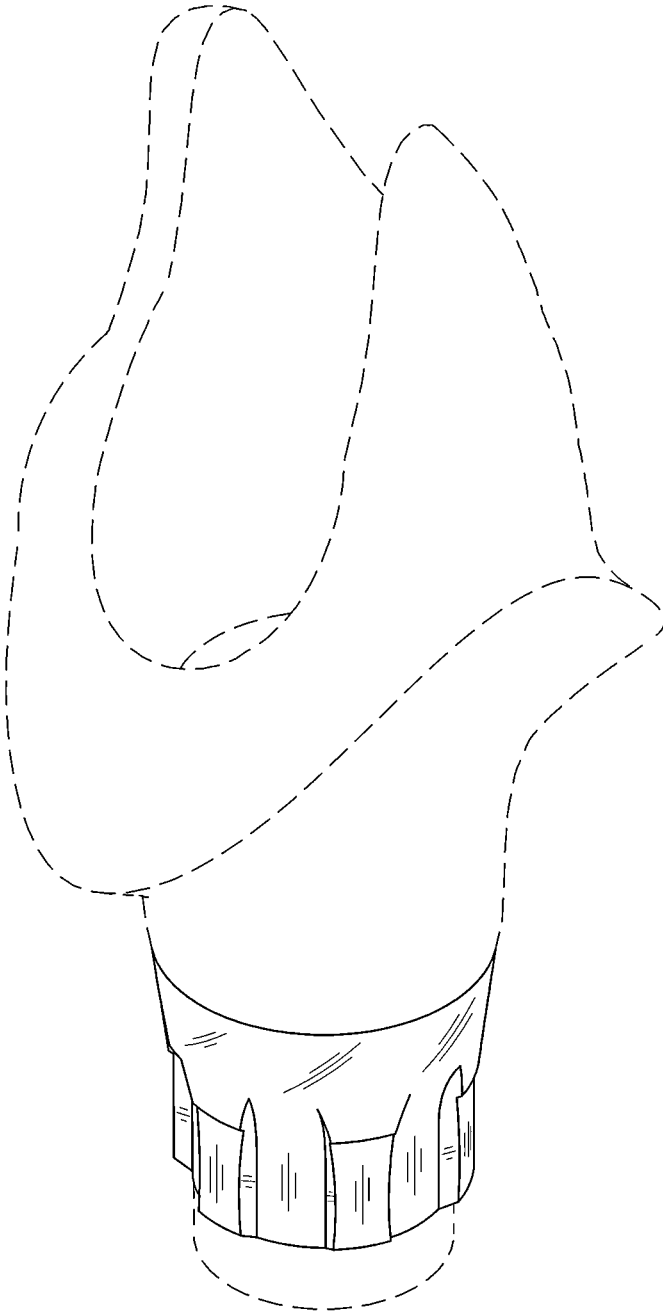


FIG. 2

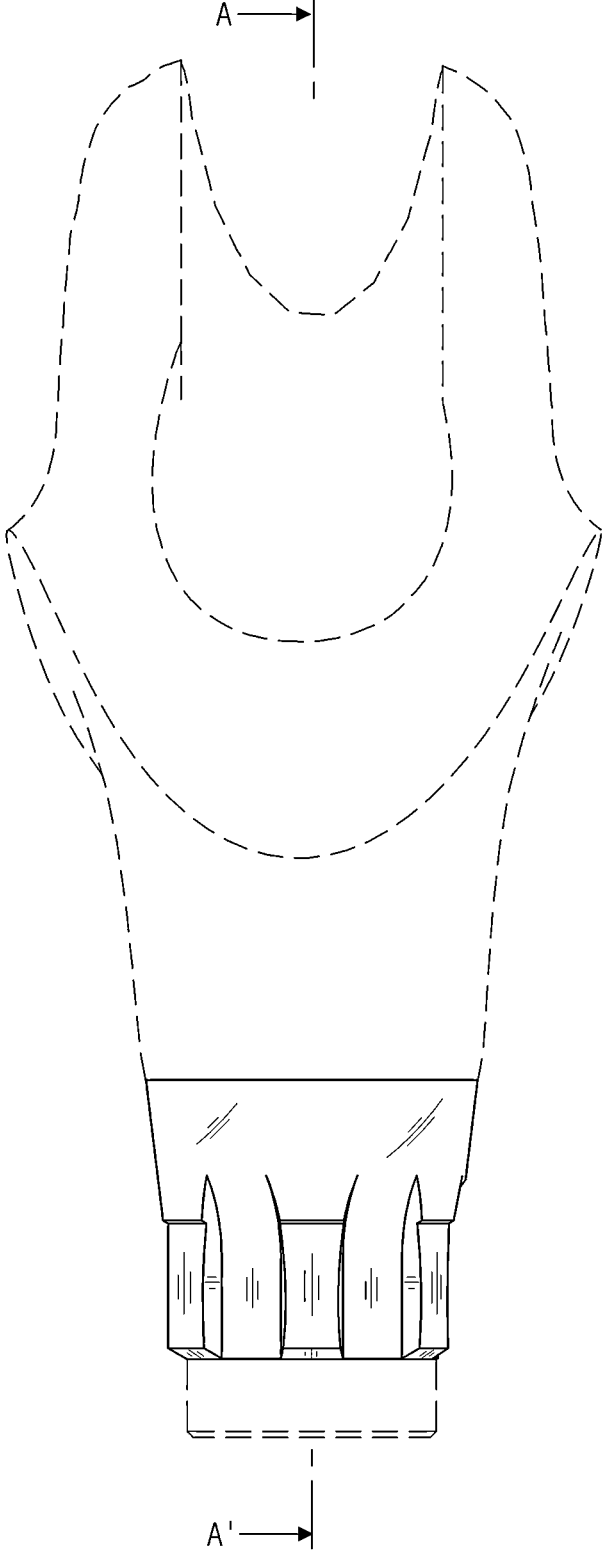


FIG. 3

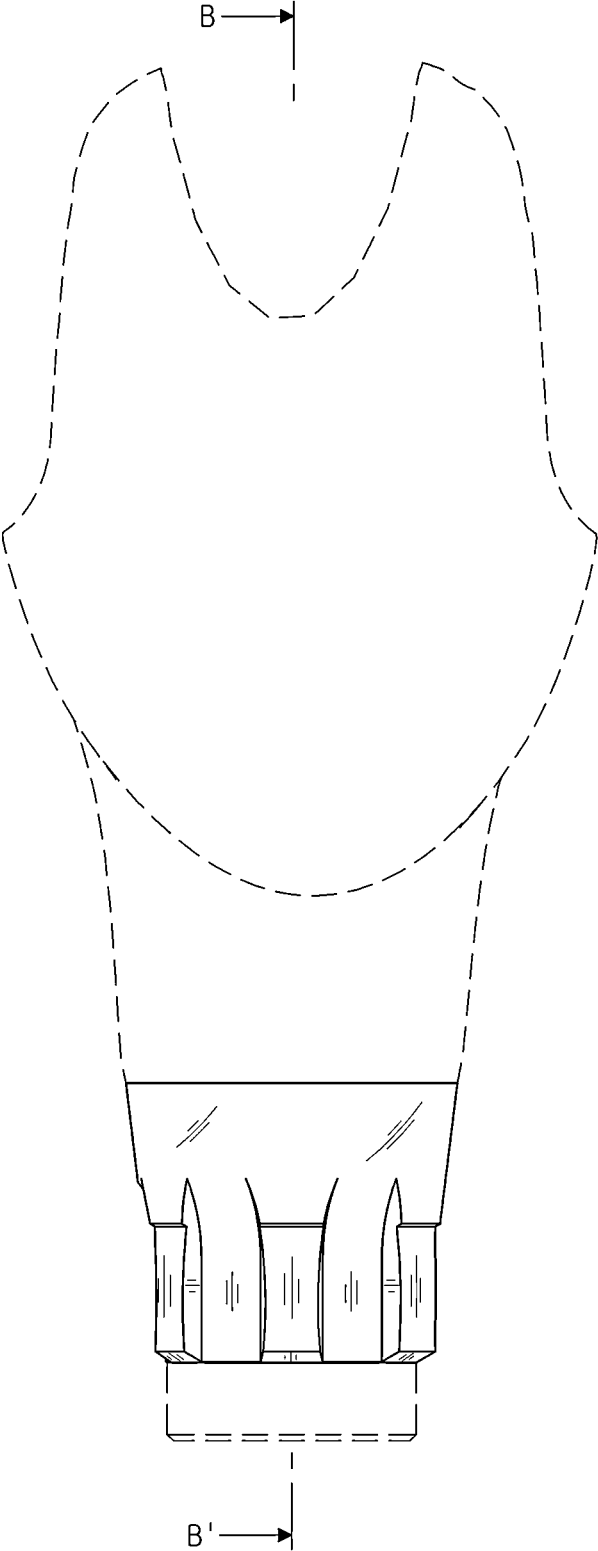


FIG. 4

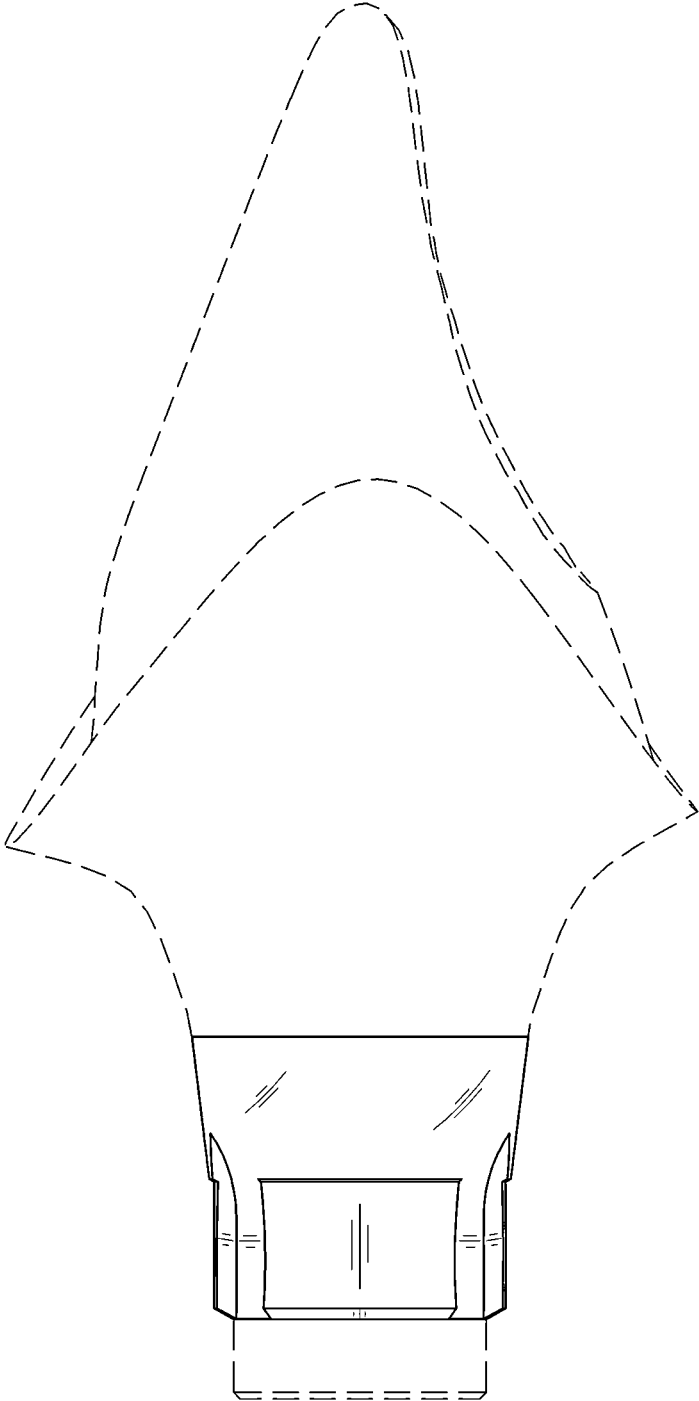


FIG. 5

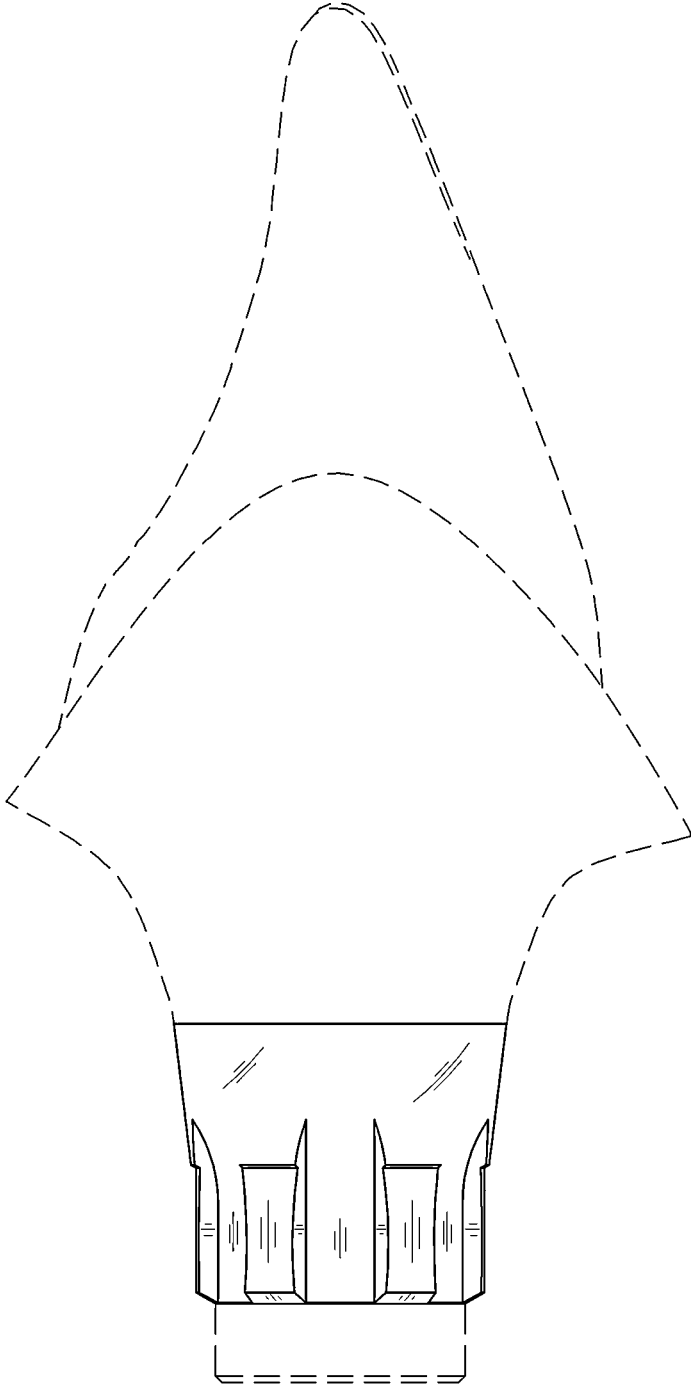


FIG. 6

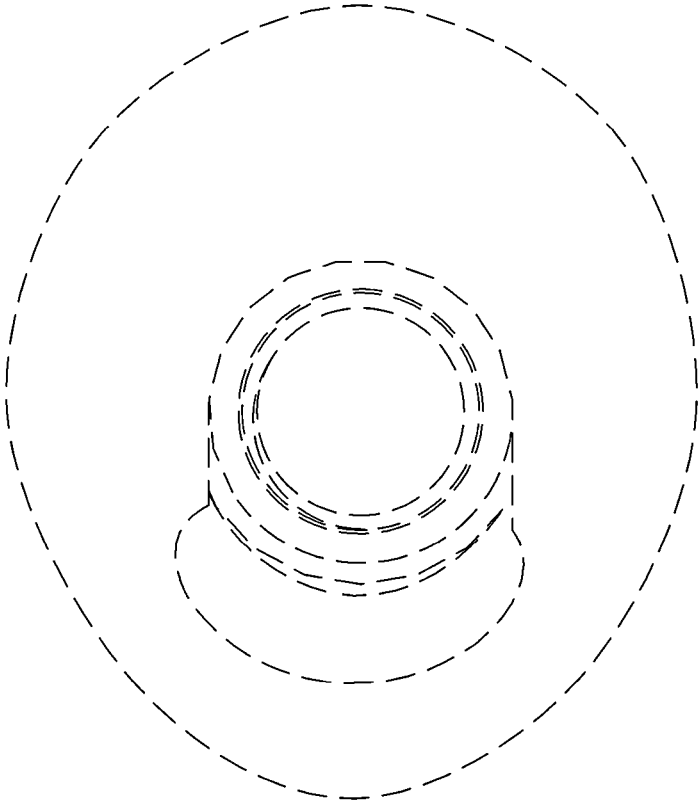


FIG. 7

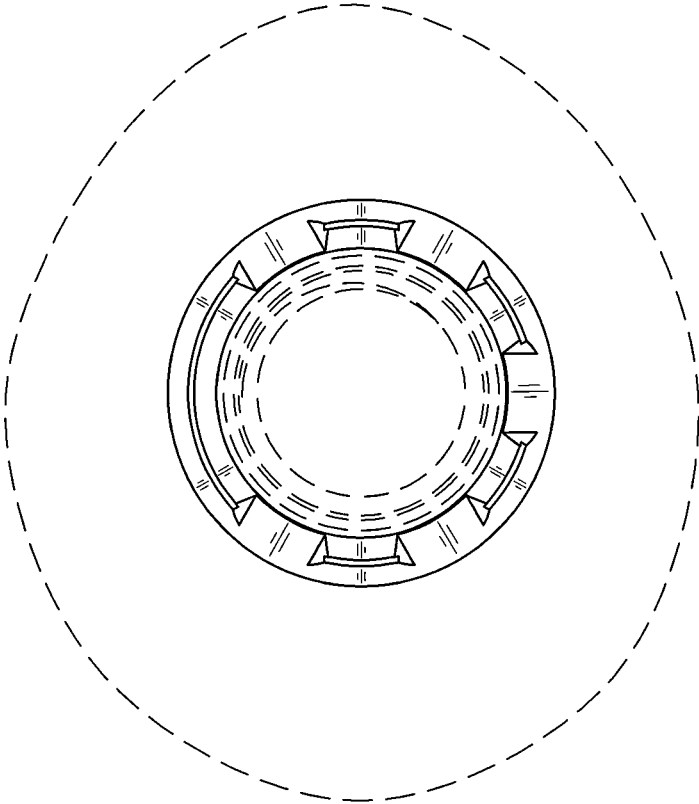


FIG. 8



FIG. 9

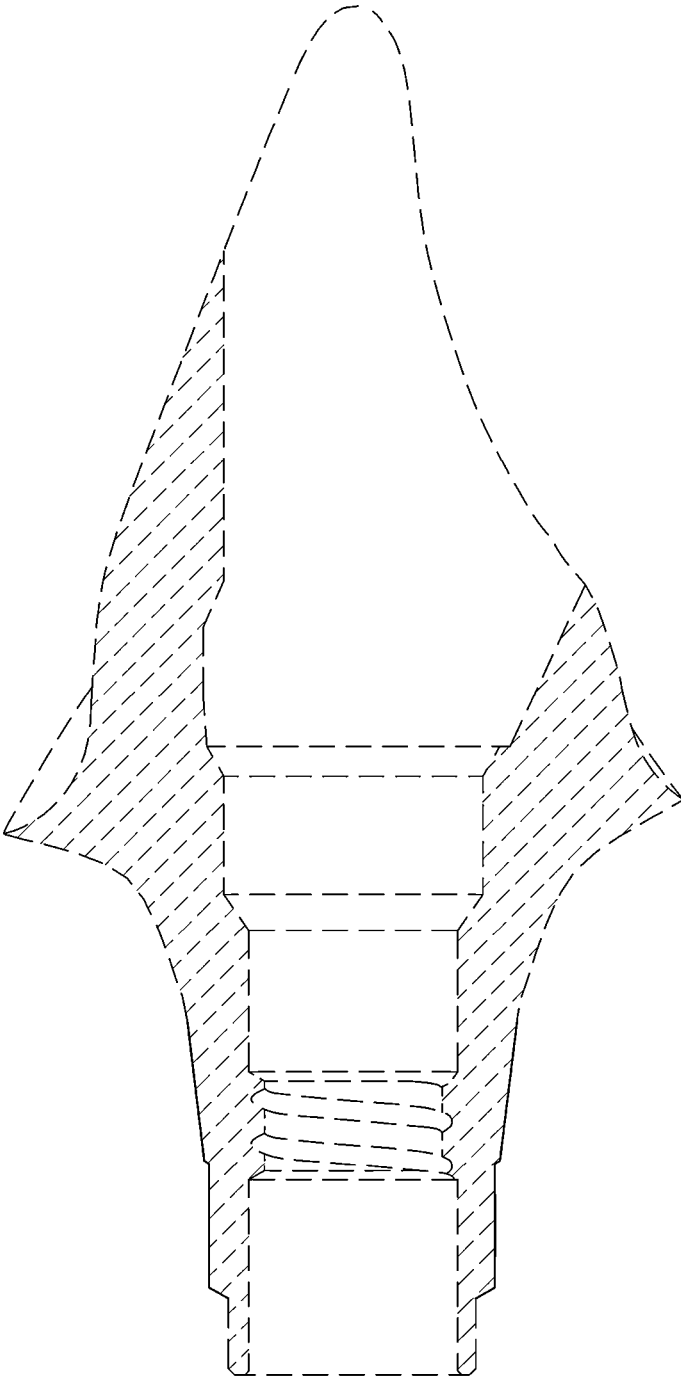


FIG. 10

