



(12) **United States Design Patent**
Behere et al.

(10) **Patent No.:** **US D981,007 S**
(45) **Date of Patent:** **** Mar. 14, 2023**

(54) **CRITICAL CARE SUITE**
(71) Applicant: **KONINKLIJKE PHILIPS N.V.**,
Eindhoven (NL)
(72) Inventors: **Sachin Suresh Behere**, Singapore (SG);
Nigel Geh Keong Teck, Singapore
(SG)
(73) Assignee: **KONINKLIJKE PHILIPS N.V.**,
Eindhoven (NL)

D253,246 S * 10/1979 O'Toole D24/185
4,338,485 A * 7/1982 Fullenkamp A47B 79/00
220/4.31
D302,502 S * 8/1989 Durham, Jr. D6/718.14
D303,743 S * 10/1989 Durham, Jr. D6/718.14
D359,988 S * 7/1995 Lechleiter D20/10
D360,230 S * 7/1995 Lechleiter D6/332
D365,467 S * 12/1995 Lechleiter D6/332
D369,030 S * 4/1996 Lechleiter D14/126
D385,044 S * 10/1997 Johnson D25/58
D496,734 S * 9/2004 Konishi D25/1

(Continued)

(**) Term: **15 Years**

FOREIGN PATENT DOCUMENTS

(21) Appl. No.: **29/712,451**

JP D2006-11549 * 11/2006
KR 300769720.0001 * 1/2015

(22) Filed: **Nov. 8, 2019**

OTHER PUBLICATIONS

(30) **Foreign Application Priority Data**

May 8, 2019 (EM) 006431714

Tracy Block, 3 New Idea for Entertaining in Orlando, Feb. 8, 2018, Bizbash, <https://www.bizbash.com/venues-destinations/united-states/orlando-central-florida/media-gallery/13482618/3-new-ideas-for-entertaining-in-orlando> (Year: 2018).*

(51) **LOC (14) CL.** **25-03**

(52) **U.S. CL.**
USPC **D25/31; D6/332; D6/664; D25/58**

(Continued)

(58) **Field of Classification Search**
USPC D25/1, 3-35, 58; D6/640-644, 332, 677,
D6/718.14, 672, 336, 673, 664; D24/185;
D16/215; D20/10
CPC E04H 1/00-12; E04H 1/1205-1277; E04H
1/14; E04H 2001/1294
See application file for complete search history.

Primary Examiner — Brett Miller

(57) **CLAIM**

The ornamental design for a critical care suite, as shown.

DESCRIPTION

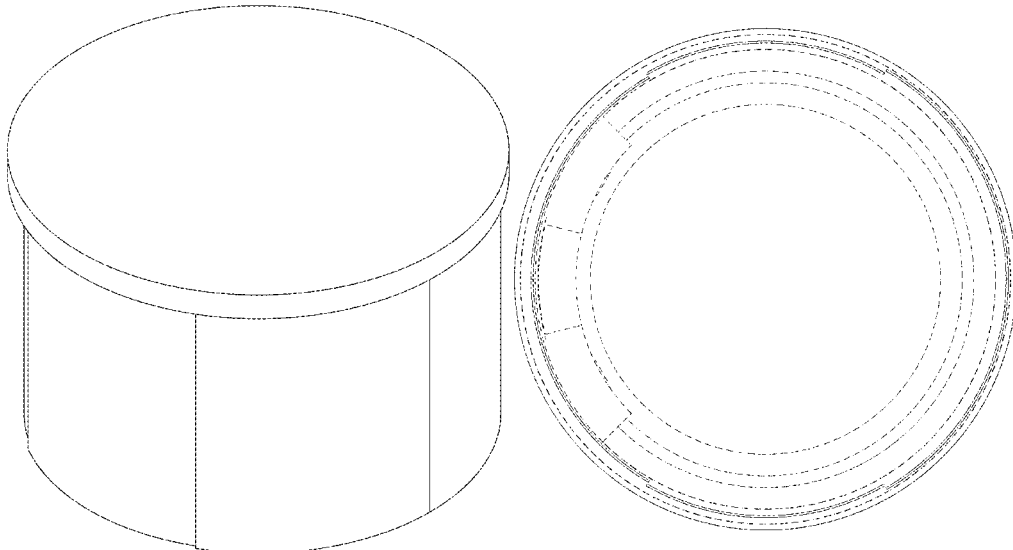
(56) **References Cited**

U.S. PATENT DOCUMENTS

D202,771 S * 11/1965 Wokas D25/31
D214,888 S * 8/1969 Stewart D25/16
D221,629 S * 8/1971 King D25/16
D223,440 S * 4/1972 Noyes D25/31
D239,570 S * 4/1976 Hall D24/185
D241,549 S * 9/1976 Rota D24/185
D242,832 S * 12/1976 Swensson D6/644

FIG. 1 is a perspective view showing my design;
FIG. 2 is a front elevational view thereof;
FIG. 3 is a rear elevational view thereof;
FIG. 4 is a right side elevational view thereof;
FIG. 5 is a left side elevational view thereof;
FIG. 6 is a top plan view thereof; and,
FIG. 7 is a bottom plan view thereof.
The broken lines depict portions of the critical care suite that form no part of the claimed design.

1 Claim, 5 Drawing Sheets



(56)

References Cited

U.S. PATENT DOCUMENTS

D530,104	S *	10/2006	Saffell	D6/332
D539,056	S *	3/2007	Helmetag	D6/672
D647,938	S *	11/2011	Geddes	D16/215
D659,427	S *	5/2012	Nicolas	D6/644
D659,428	S *	5/2012	Nicolas	D6/644
D748,281	S *	1/2016	Whitman	D25/16
D754,875	S *	4/2016	Baziuk	D25/31
D774,318	S *	12/2016	Tsuchiyama	D6/332
D781,948	S *	3/2017	Sebring	D16/215
D785,374	S *	5/2017	Holbrook	D6/643
D787,704	S *	5/2017	Walter	D25/16
D791,513	S *	7/2017	Holbrook	D6/643
D791,967	S *	7/2017	Goldberg	D25/16
D812,671	S *	3/2018	Sebring	D16/215
D822,746	S *	7/2018	Sebring	D16/215
D825,001	S *	8/2018	Henkel	D6/332
D850,129	S *	6/2019	Webb	D6/643
D952,374	S *	5/2022	Spiljaric	D6/643
2007/0186490	A1 *	8/2007	Salemi	E04H 1/14 52/27.5

OTHER PUBLICATIONS

Brent Ehrlich, The Best Indoor LED Luminaires of 2016, 2016, BuildingGreen, <https://www.buildinggreen.com/product-review/best-indoor-led-luminaires-2016> (Year: 2016).*

Karissa Rosenfield. "SOM breaks ground at The Christ Hospital in Cincinnati" Jul. 3, 2012. ArchDaily. Accessed Apr. 23, 2022. <<https://www.archdaily.com/250743/som-breaks-ground-at-the-christ-hospital-in-cincinnati>> (Year: 2012).*

DBS Bank Office Photos, Aug. 2, 2017, Glassdoor, https://www.glassdoor.co.in/Photos/DBS-Bank-Office-Photos-E611812_P2.htm (Year: 2017).*

Pro Expo Exhibits, As the Booth Turns, Jan. 3, 2014, <https://tradeshowbestpractices.com/2014/01/03/as-the-booth-turns/> (Year: 2014).*

Gildor Automatic Circular Sliding Door, Jan. 15, 2014, Youtube, <https://www.youtube.com/watch?v=zOajXwvg66M> (Year: 2014).*

* cited by examiner

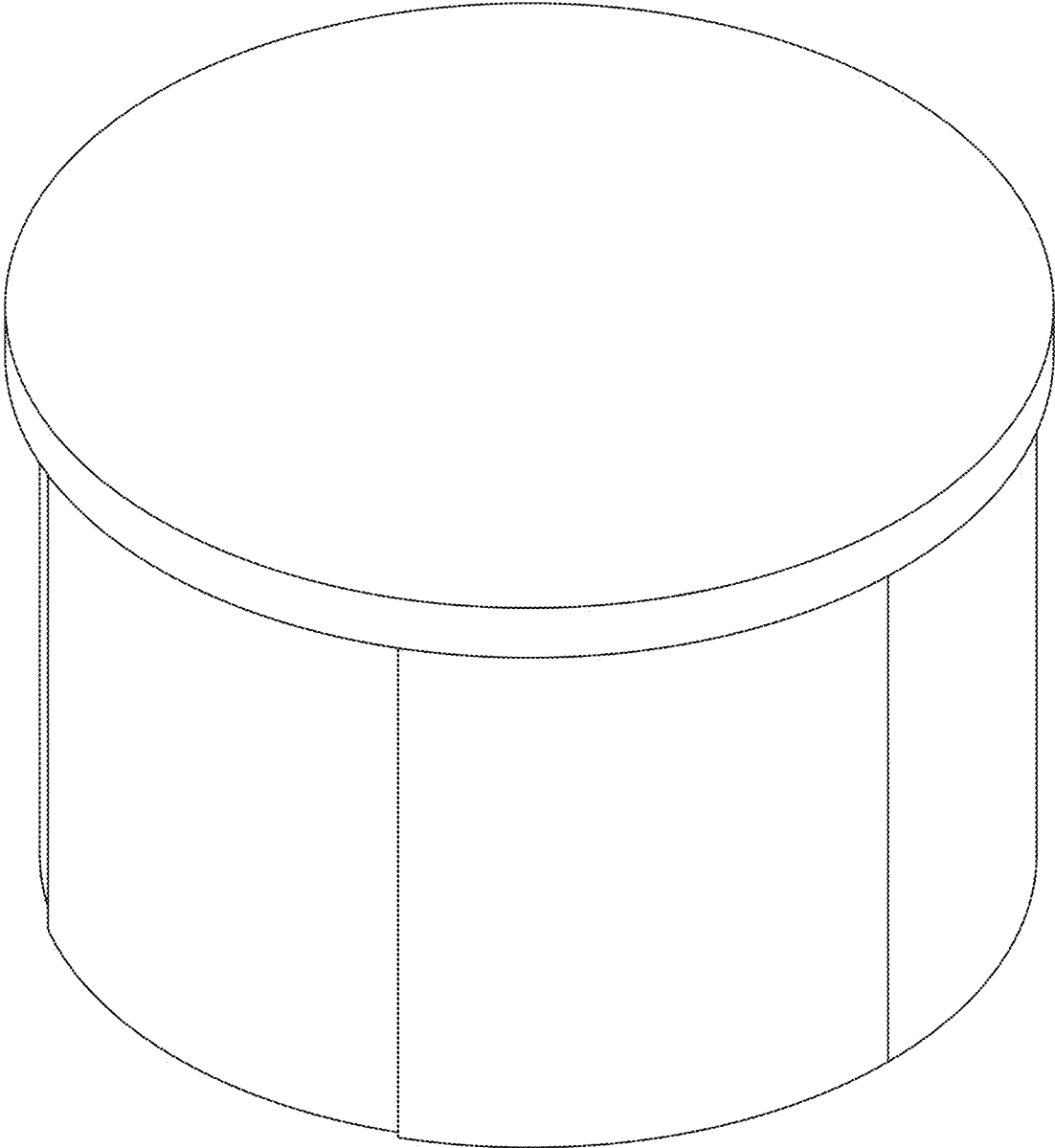


FIG. 1

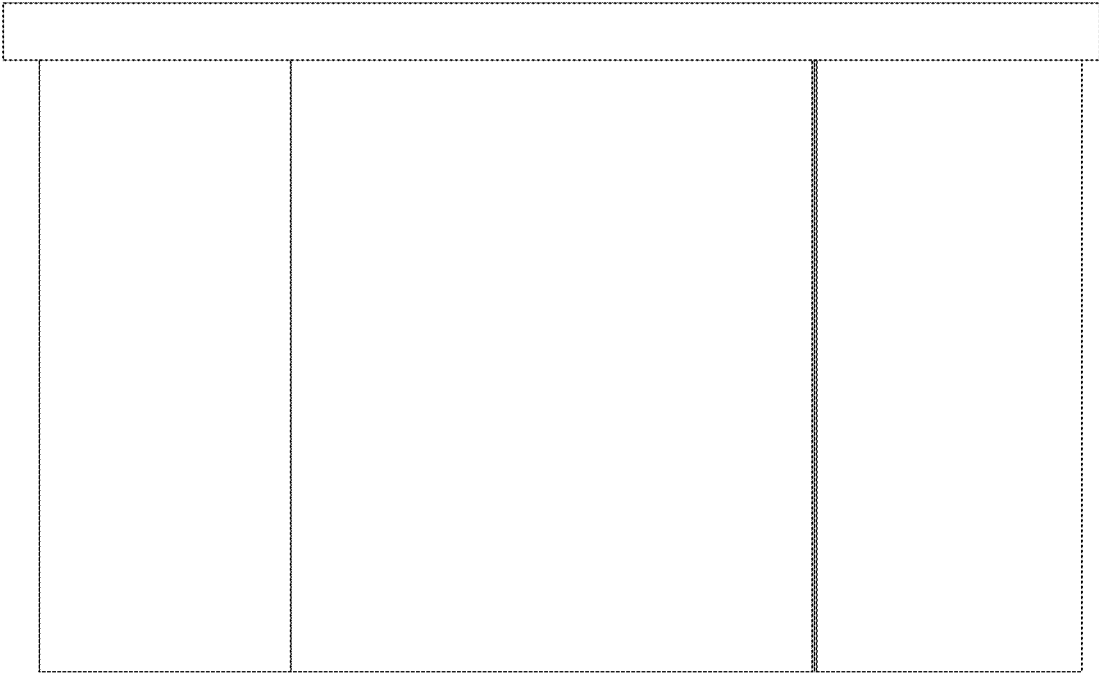


FIG. 2

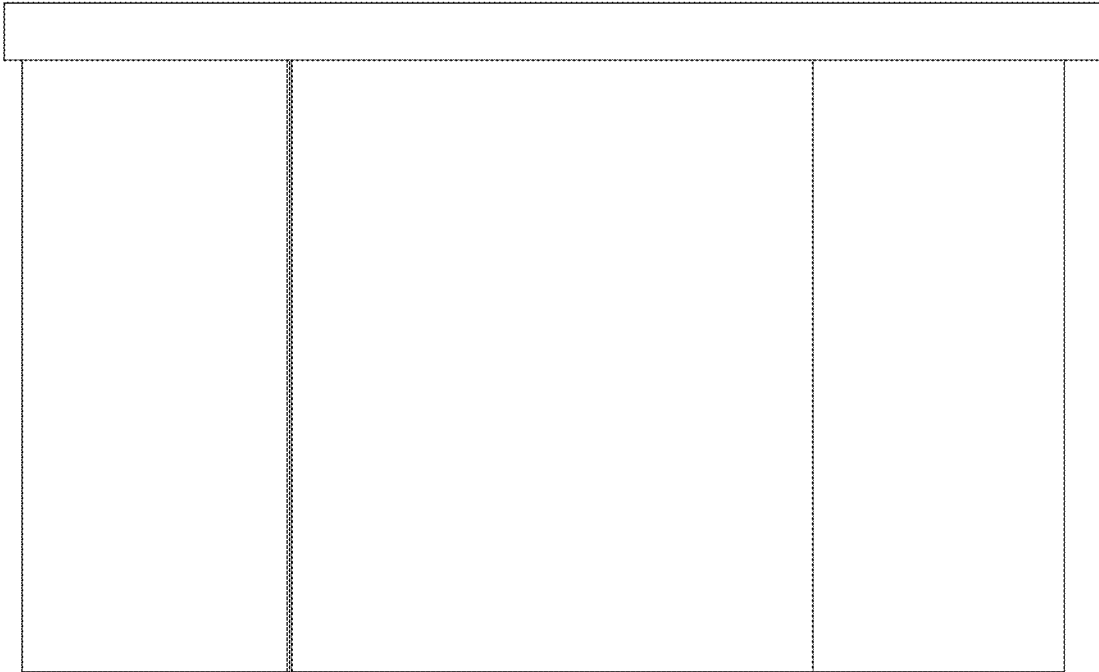


FIG. 3

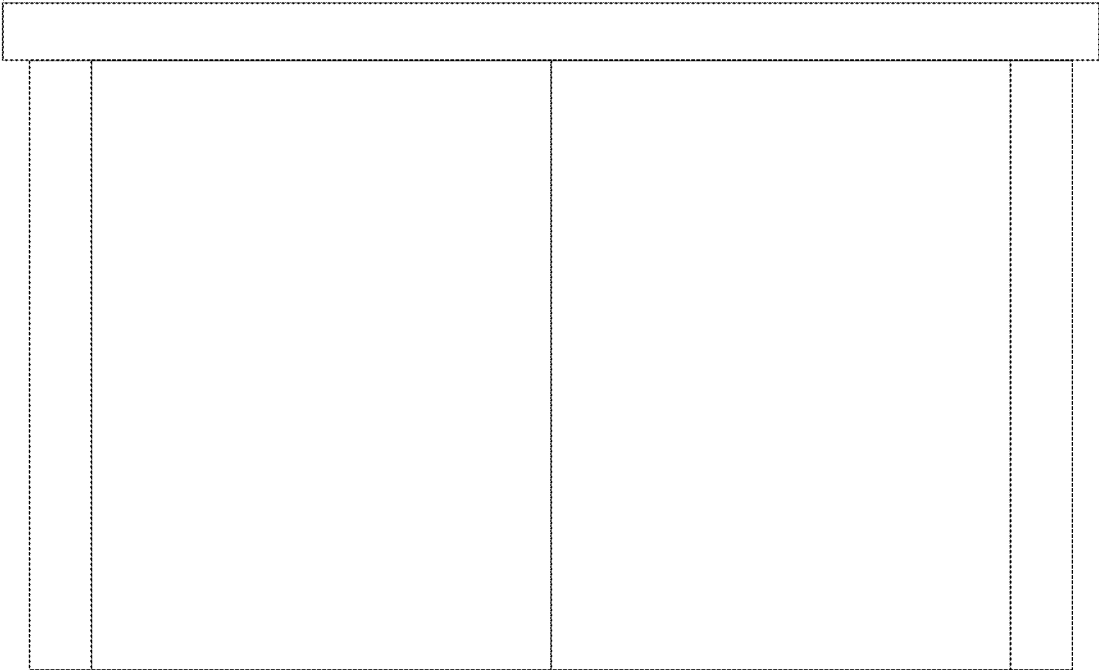


FIG. 4

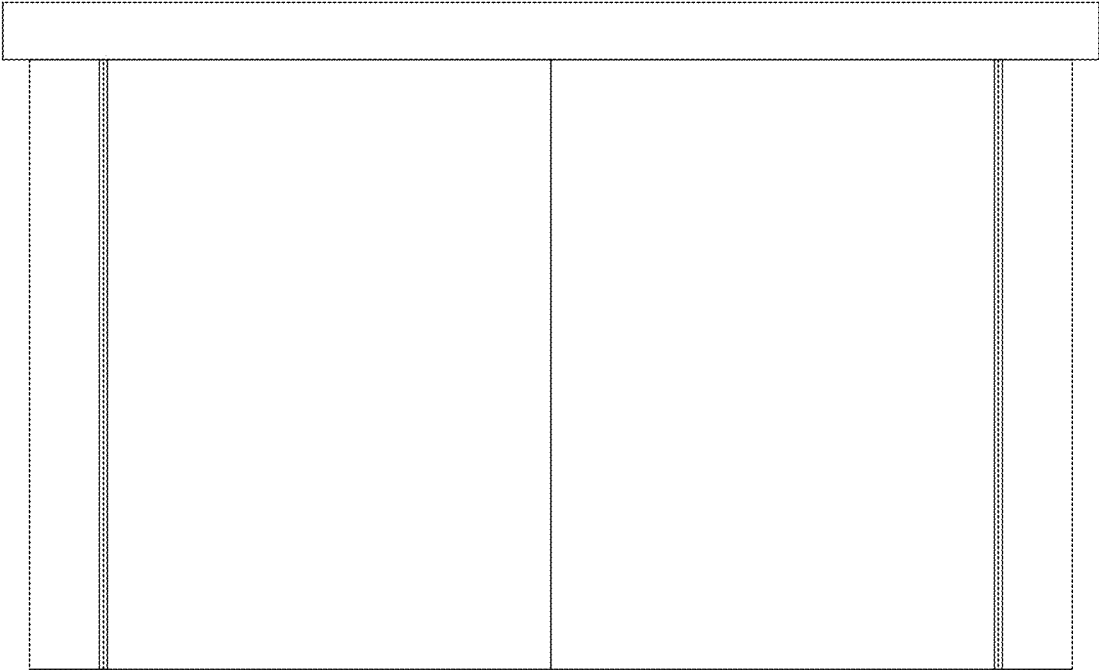


FIG. 5

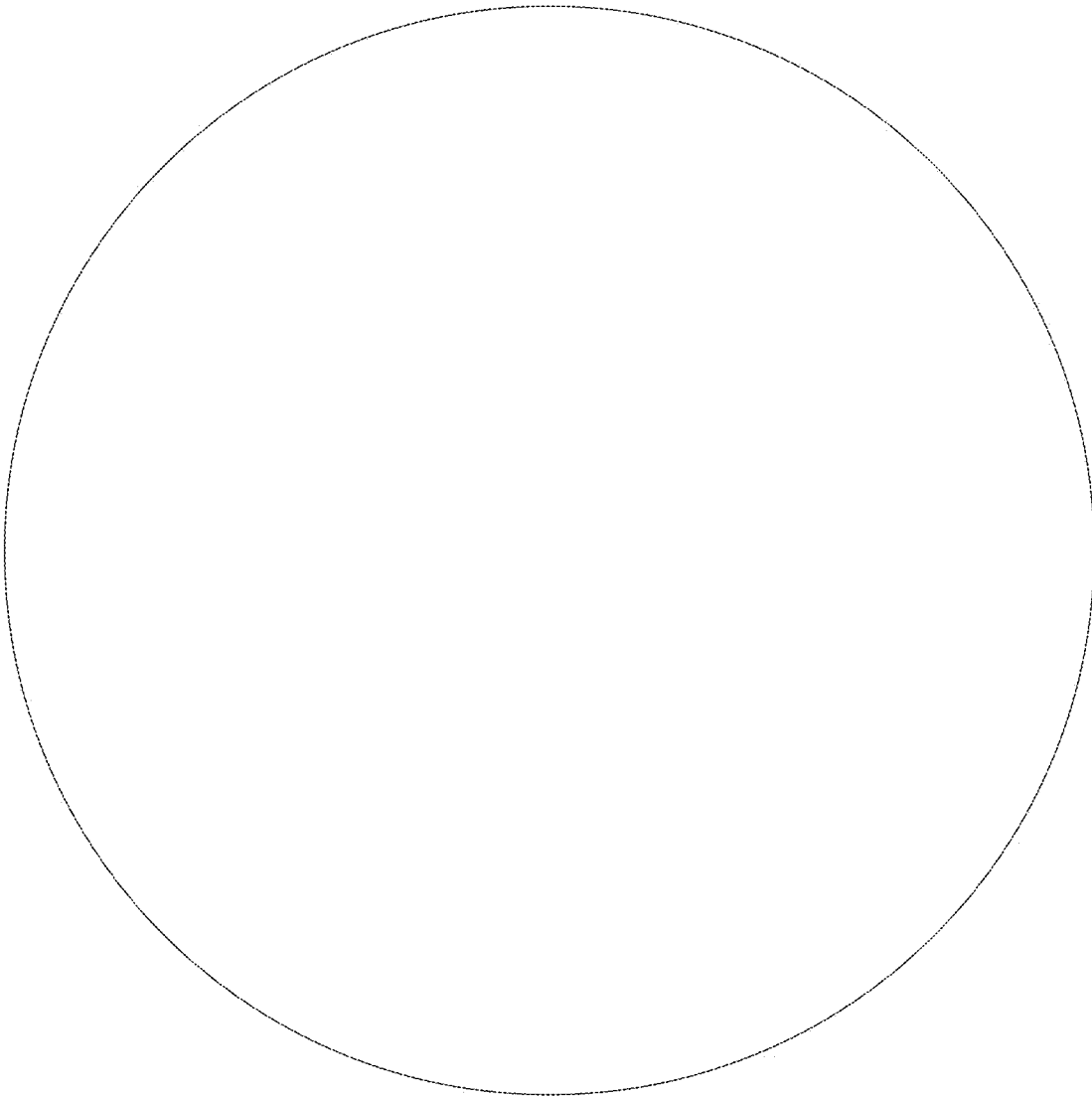


FIG. 6

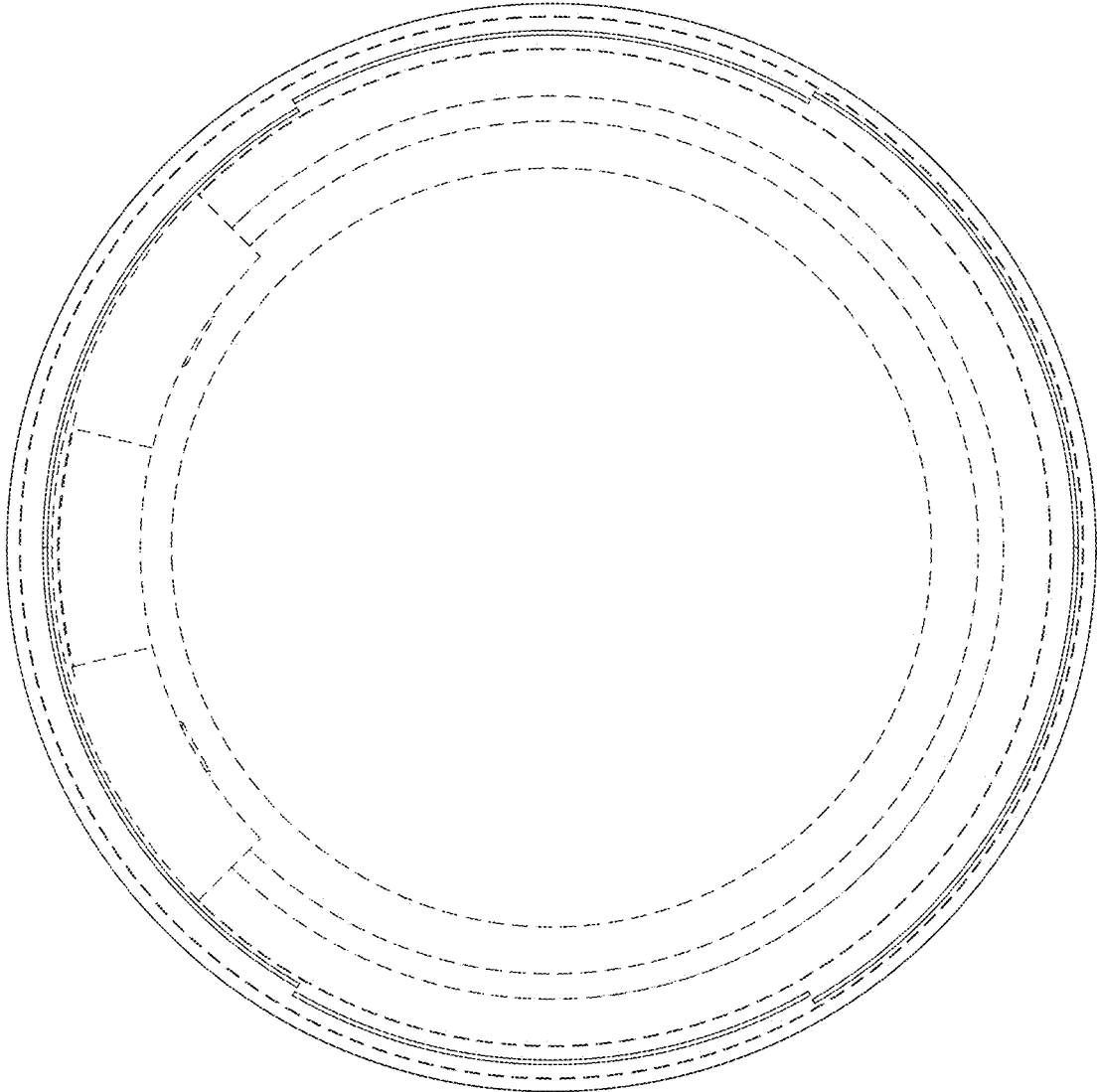


FIG. 7