



US00D413366S

United States Patent [19]

[11] Patent Number: **Des. 413,366**

Husted et al.

[45] Date of Patent: **** Aug. 31, 1999**

[54] **SIMULATED WALKING DEVICE**

[75] Inventors: **Royce H. Husted**, R.R. 4, Box 550, Forest, Va. 24551; **Joel P. Husted**, Forest, Va.

[73] Assignee: **Royce H. Husted**, Forest, Va.

[**] Term: **14 Years**

[21] Appl. No.: **29/091,860**

[22] Filed: **Aug. 7, 1998**

[51] **LOC (6) Cl.** **21-02**

[52] **U.S. Cl.** **D21/668; D21/669; D21/671**

[58] **Field of Search** **D21/662, 668, D21/669, 670, 671; 482/51, 52, 142**

[56] **References Cited**

U.S. PATENT DOCUMENTS

D. 303,557	9/1989	Kiiski	D21/669
D. 325,951	5/1992	Johnson	D21/669
D. 342,107	12/1993	Chang	D21/669
D. 355,227	2/1995	Summers et al.	D21/669

D. 369,843	5/1996	Wang et al.	D21/669
D. 372,508	8/1996	Clem	D21/669
D. 374,260	10/1996	Snyderman et al.	D21/669
5,645,510	7/1997	Wilkinson	482/51
5,711,745	1/1998	Yang	482/51

Primary Examiner—Philip S. Hyder
Attorney, Agent, or Firm—Nicholas A. Camasto

[57] **CLAIM**

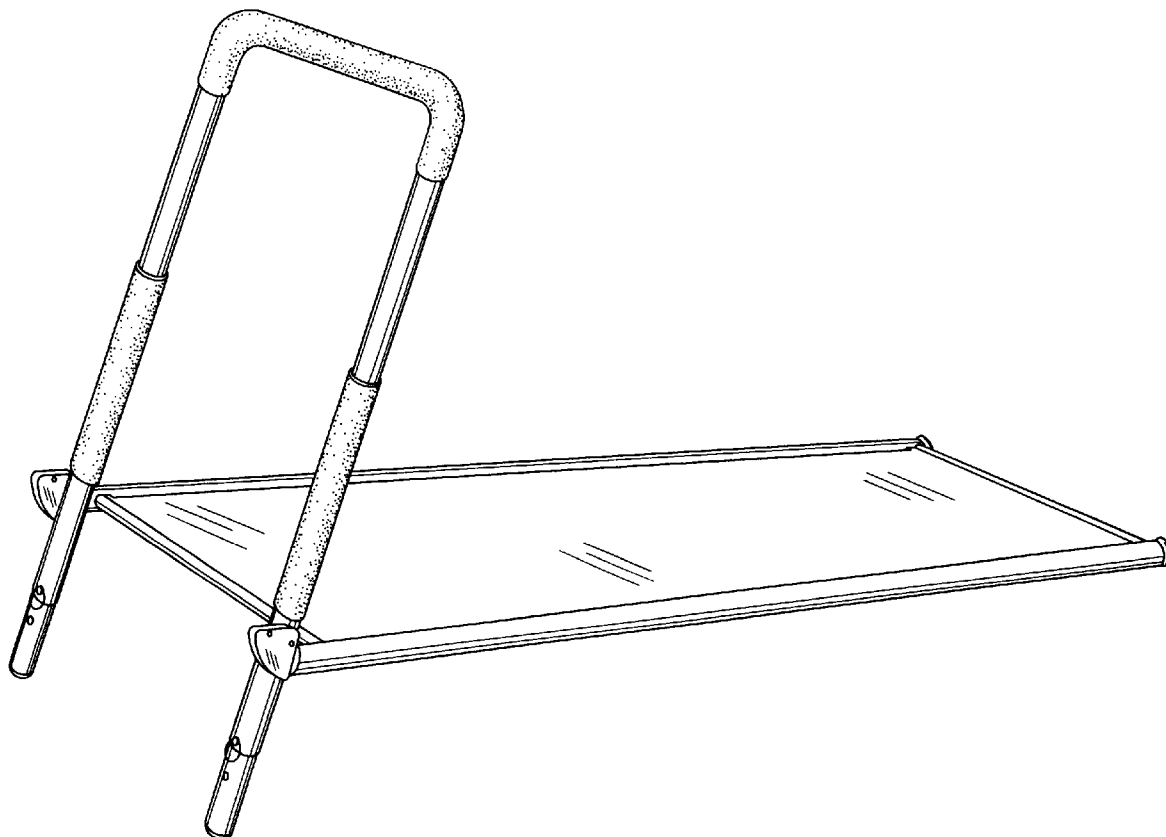
We claim the ornamental design for a simulated walking device, as shown.

DESCRIPTION

FIG. 1 is a top, front and left side perspective view of a simulated walking device showing our new design; FIG. 2 is a left side elevational view thereof; FIG. 3 is a front elevational view thereof; FIG. 4 is a top plan view thereof; FIG. 5 is a right side elevational view thereof; and, FIG. 6 is a rear elevational view thereof.

The appearance of the bottom forms no part of the claimed design.

1 Claim, 3 Drawing Sheets



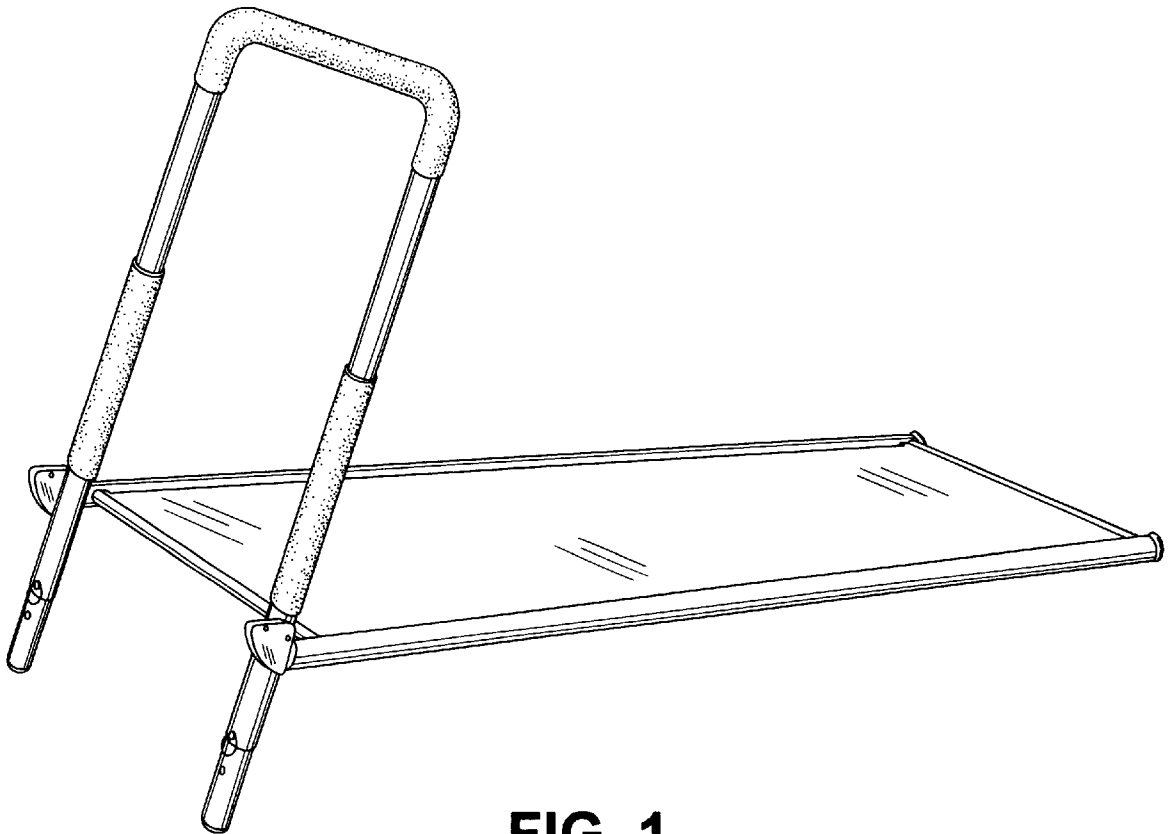


FIG. 1

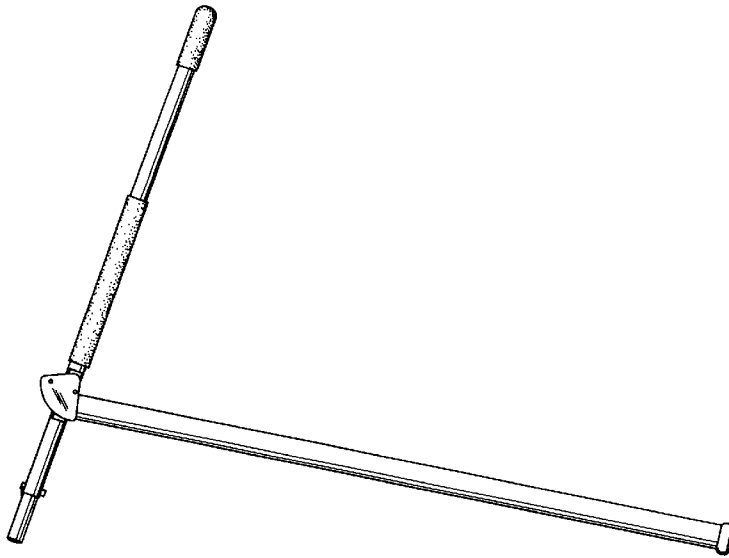


FIG. 2

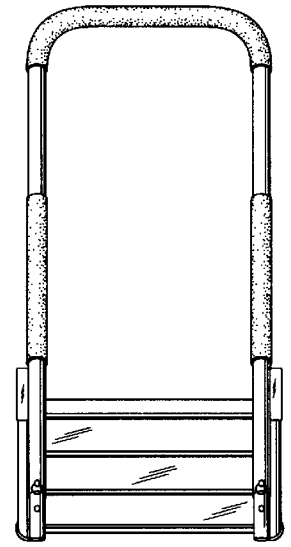


FIG. 3

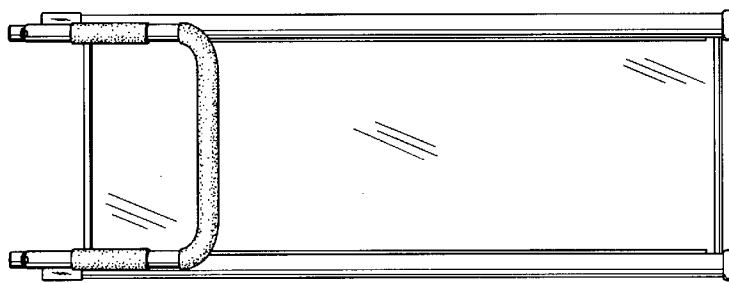


FIG. 4

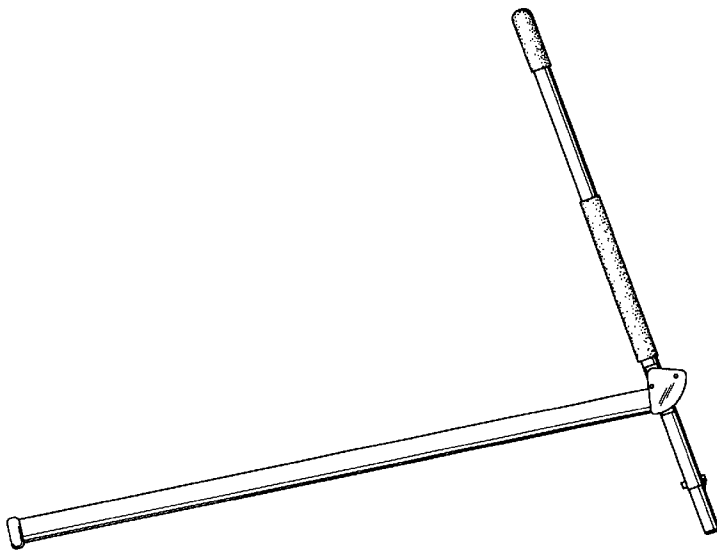


FIG. 5

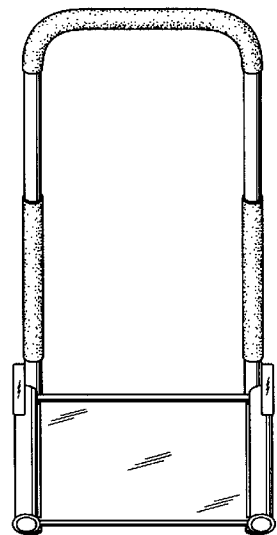


FIG. 6