



US00D418604S

United States Patent [19]

[11] Patent Number: **Des. 418,604**

Burym et al.

[45] Date of Patent: **** Jan. 4, 2000**

[54] **COMBINATION BABY PACIFIER AND MEDICINE DELIVERY APPARATUS**

D. 380,269	6/1997	Mendes	D24/194
D. 391,641	3/1998	Fields et al.	D24/194
5,859,585	1/1999	Fleming	340/539

[76] Inventors: **Terry Lyle Burym; Sheila Carrie Burym**, both of Box 1445, Canora, Saskatchewan, Canada, S0A 0L0

Primary Examiner—Stella Reid

[**] Term: **14 Years**

[57] CLAIM

[21] Appl. No.: **29/101,125**

The ornamental design for a combination baby pacifier and medicine delivery apparatus, as shown and described.

[22] Filed: **Feb. 23, 1999**

DESCRIPTION

[51] **LOC (7) Cl.** **24-04**

FIG. 1 is a front elevational view of the combination baby pacifier and medicine delivery apparatus shown in our new design;

[52] **U.S. Cl.** **D24/194**

FIG. 2 is a rear elevational view thereof;

[58] **Field of Search** D24/194, 193;

FIG. 3 is an exploded right side view thereof;

606/234, 235, 236

FIG. 4 is a left side view thereof;

FIG. 5 is a top plan view thereof; and,

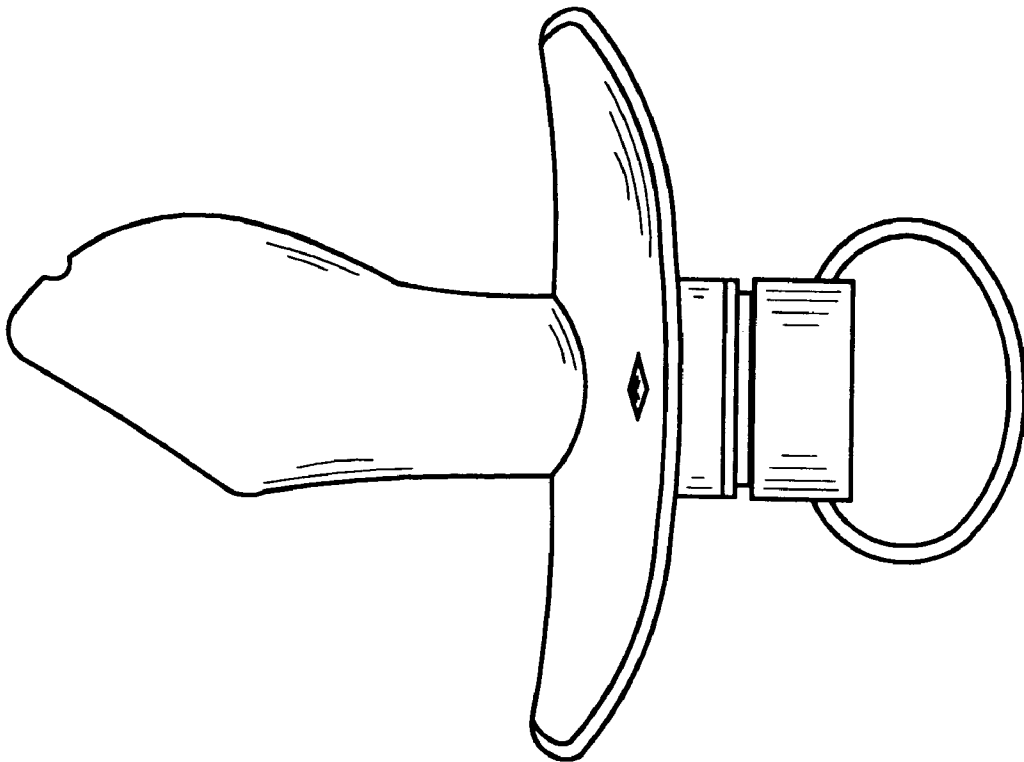
FIG. 6 is a bottom plan view thereof.

[56] References Cited

U.S. PATENT DOCUMENTS

D. 294,297	2/1988	Roehrig	D24/194
D. 338,274	8/1993	Chuang	D24/194

1 Claim, 2 Drawing Sheets



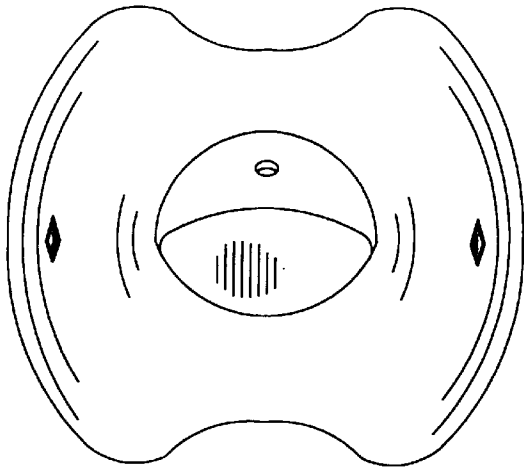


FIG. 1

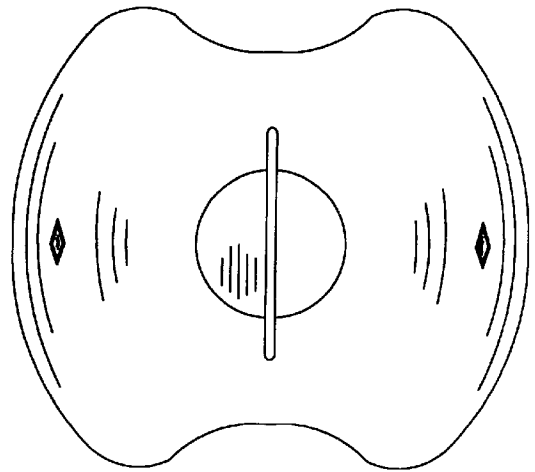


FIG. 2

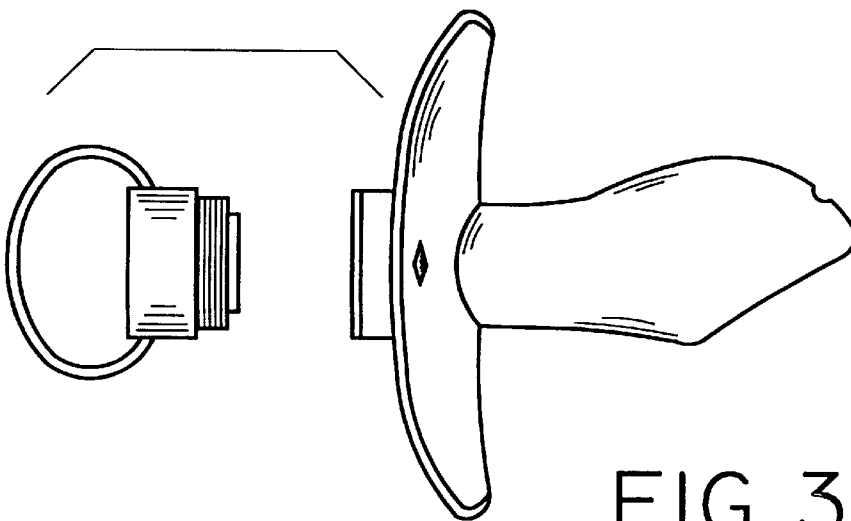


FIG. 3

