

[54] JEWELRY SLIDE

3,347,037 10/1967 Klang ..... 63/2  
4,208,888 6/1980 Erdman et al. .... 63/2

[76] Inventors: Katherine D. Johnston, 3242 E. Endora, Phoenix, Ariz. 85032; Clarence Johnston, deceased, late of Phoenix, Ariz.; by Katherine D. Johnston, heir, 3242 E. Endora, Phoenix, Ariz. 85032

FOREIGN PATENT DOCUMENTS

24945 of 1901 United Kingdom ..... 63/20

[\*\*] Term: 14 Years

OTHER PUBLICATIONS

Alaska & Midnight Sun Express Sterling Silver Spoon No. 231, cited 1955.

[21] Appl. No.: 378,120

Primary Examiner—Louis S. Zarfes

[22] Filed: May 14, 1982

[57] CLAIM

[52] U.S. Cl. .... D11/81; D11/86

The ornamental design for a jewelry slide, or the like, substantially as shown.

[58] Field of Search ..... D7/43, 44; D11/79-81, D11/6, 157, 48, 97, 86; 428/13, 14; 206/0.8, 0.81; 63/1 R-2, 20, 21, 26

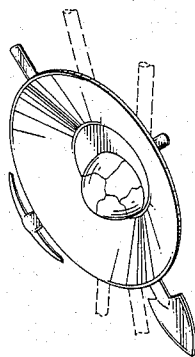
DESCRIPTION

[56] References Cited

FIG. 1 is a front elevational view of a jewelry slide showing our new design, the broken line disclosure of a cord being illustrative of environment only; FIG. 2 is a rear elevational view thereof; FIG. 3 is a perspective view thereof; and FIG. 4 is a left edge elevational view.

U.S. PATENT DOCUMENTS

D. 21,150 11/1891 Vandenberg ..... D19/97  
D. 165,632 1/1952 Brown ..... D11/48



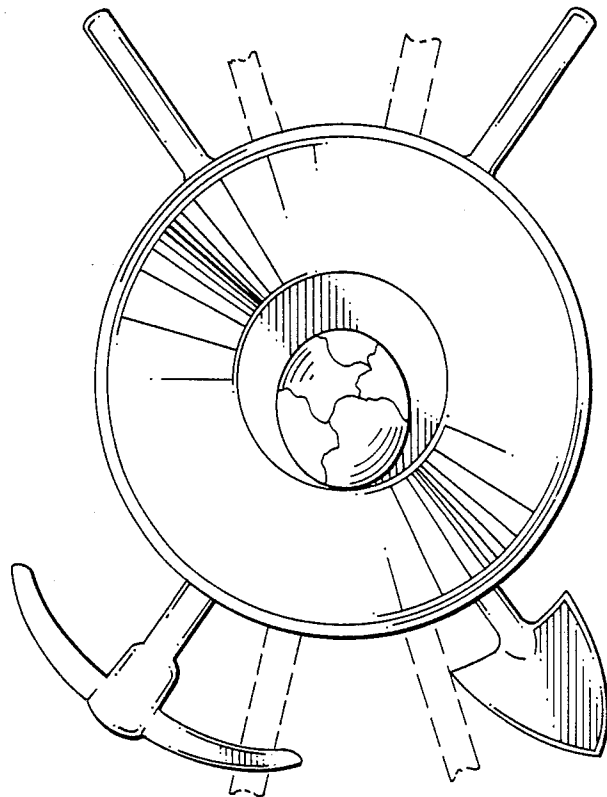


FIG. 1

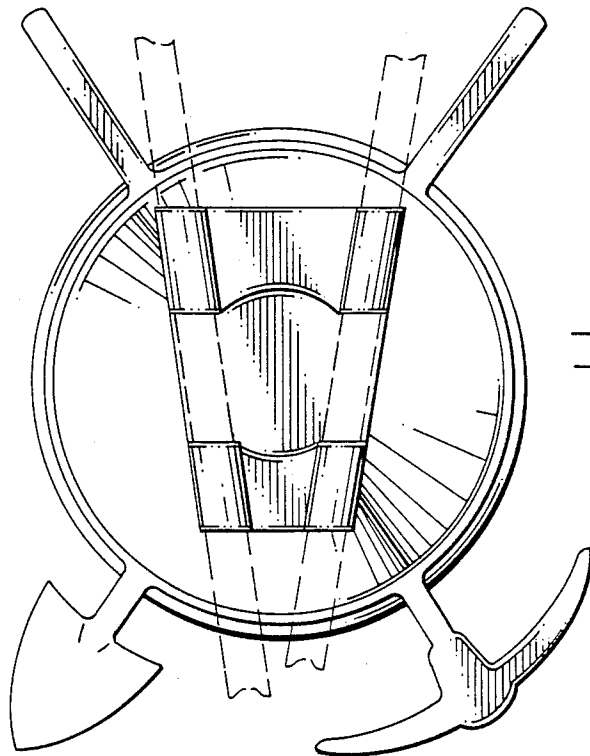
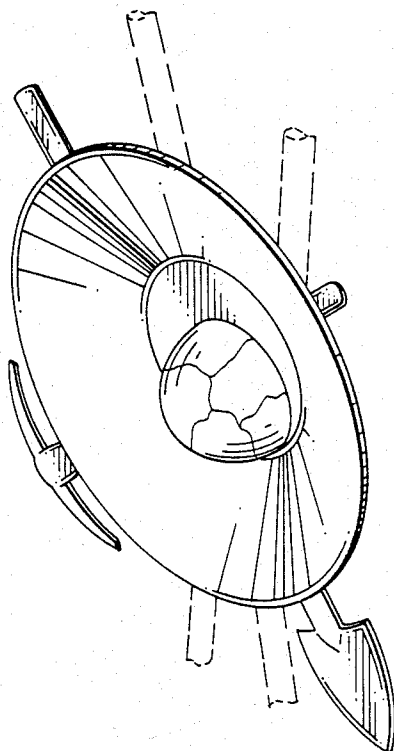
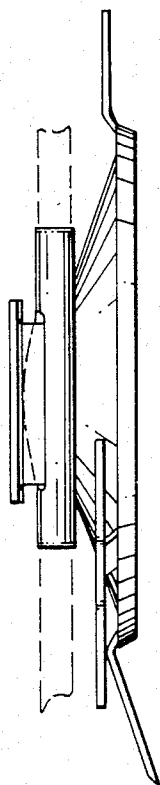


FIG. 2



*FIG. 3*



*FIG. 4*