



US00D347324S

United States Patent [19]

[11] Patent Number: Des. 347,324

Dickinson

[45] Date of Patent: ** May 31, 1994

[54] FOOT LOCKER

[75] Inventor: Thomas Dickinson, St. Louis, Mo.

[73] Assignee: Contico International, Inc., St. Louis, Mo.

[**] Term: 14 Years

[21] Appl. No.: 635

[22] Filed: Oct. 19, 1992

[52] U.S. Cl. D3/272; D3/292

[58] Field of Search D3/70, 74, 76, 77, 78; 190/18 A, 100, 103, 104, 109, 110, 119; 206/349, 372; 312/DIG. 33; D12/157, 158

[56] References Cited

U.S. PATENT DOCUMENTS

- D. 183,777 10/1958 Weiss D3/78
- D. 185,138 5/1959 Dickinson D3/70 X
- D. 201,398 6/1965 Burns et al. D3/78
- D. 234,273 2/1975 Wilson et al. D3/77
- D. 235,583 6/1975 Parry .
- D. 257,340 10/1980 Grossman .
- D. 259,413 6/1981 Rehkopf .
- D. 274,139 6/1984 Suffern et al. .
- D. 278,995 5/1985 Waters .
- D. 285,673 9/1986 Waters .
- D. 294,935 3/1988 Grossman .
- D. 298,308 11/1988 VanKirk .
- D. 300,019 2/1989 Dickinson .
- D. 305,502 1/1990 Waters .
- D. 317,720 6/1991 Fielder .
- D. 317,865 7/1991 Waters .
- D. 317,868 7/1991 Fielder .
- D. 319,016 8/1991 Kahl .
- D. 321,090 10/1991 Dickinson .
- D. 321,091 10/1991 Dickinson .
- D. 324,197 2/1992 Dickinson .

- D. 327,292 6/1992 Klodt .
- D. 327,646 7/1992 Hardigg et al. .
- D. 328,188 7/1992 Jacobsen et al. D3/76
- D. 328,425 8/1992 Brightbill .
- D. 328,818 8/1992 Hanna et al. .
- D. 328,819 8/1992 Hanna et al. .
- D. 329,331 9/1992 Hobson .
- D. 329,747 9/1992 Embree .
- D. 330,329 10/1992 Brightbill D3/78 X
- 2,986,300 5/1961 Parrish D3/78 X
- 3,854,621 12/1974 Parry .
- 3,935,931 2/1976 Kaplan D3/76 X
- 3,987,829 10/1976 Leone .
- 4,288,011 9/1981 Grossman .
- 4,488,669 12/1984 Waters .
- 4,674,665 6/1987 Van Kirk .
- 4,770,330 9/1988 Bonstead et al. .
- 4,848,626 7/1989 Waters .
- 4,967,944 11/1990 Waters .
- 5,038,983 8/1991 Tomososki .
- 5,080,250 1/1992 Dickinson et al. .

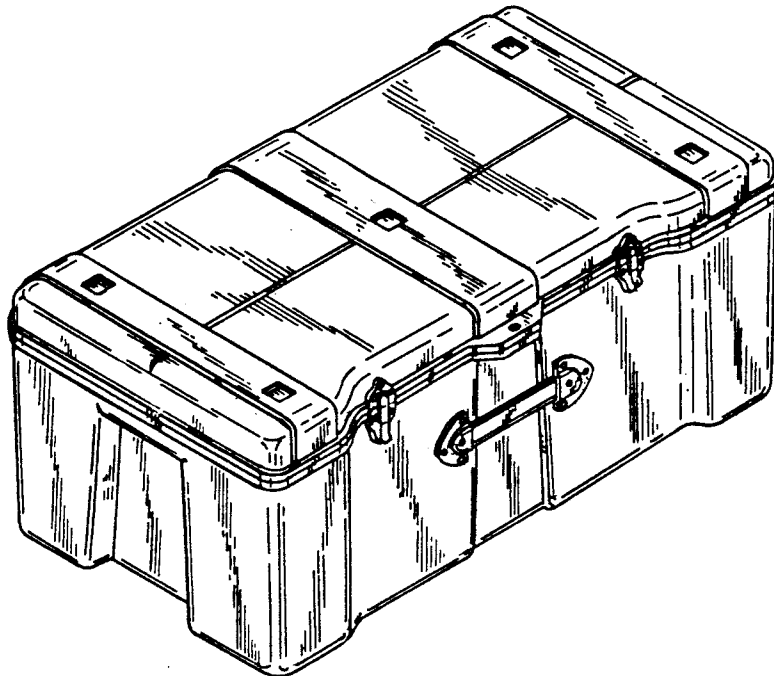
Primary Examiner—Melvin B. Feifer
Assistant Examiner—Paula Mortimer
Attorney, Agent, or Firm—Rogers, Howell & Haferkamp

[57] CLAIM

The ornamental design for a foot locker, as shown and described.

DESCRIPTION

FIG. 1 is a perspective view of foot locker showing my new design;
FIG. 2 is a top plan view thereof;
FIG. 3 is a front view thereof;
FIG. 4 is a right side elevational view thereof;
FIG. 5 is a left side elevational view thereof;
FIG. 6 is a back view thereof; and,
FIG. 7 is a bottom plan view thereof.



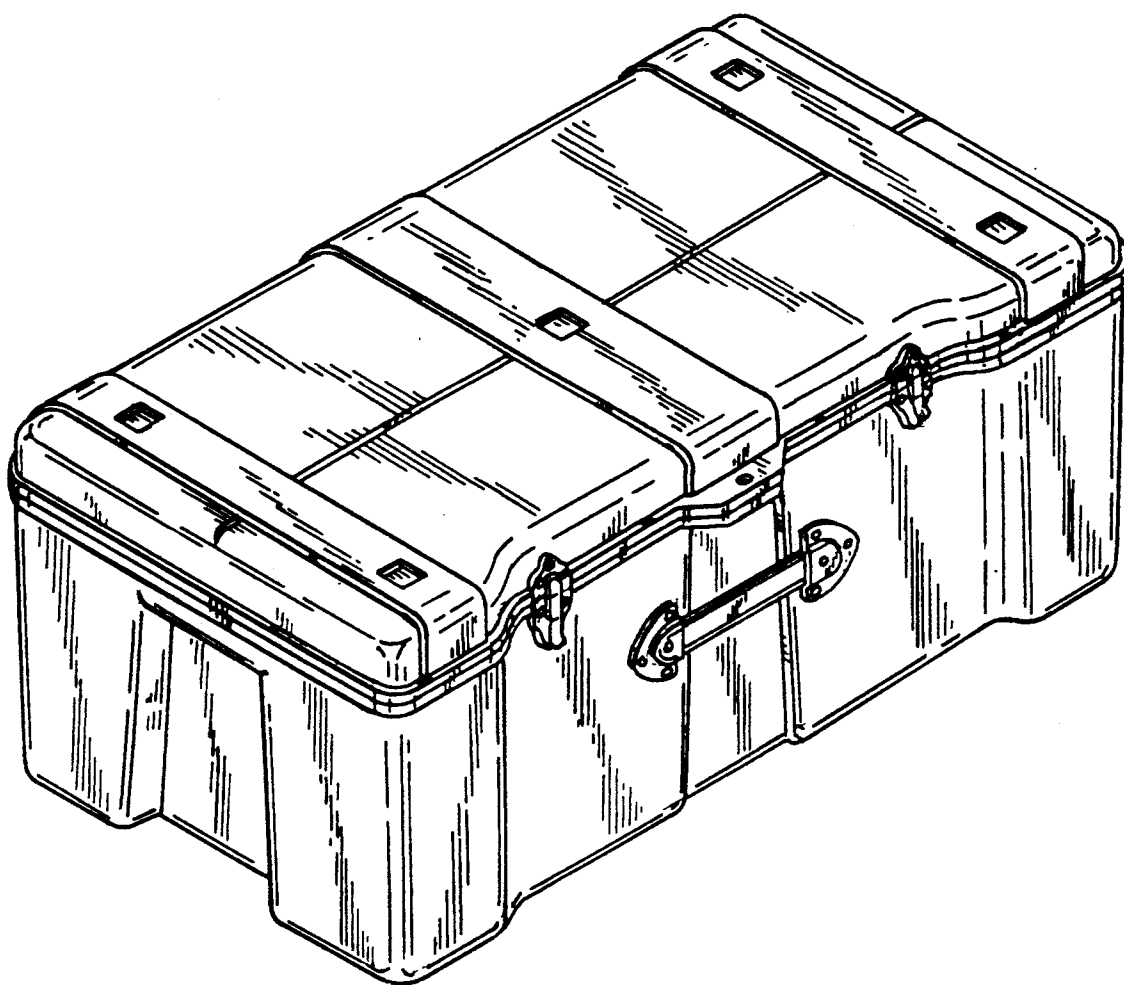


FIG. 1.

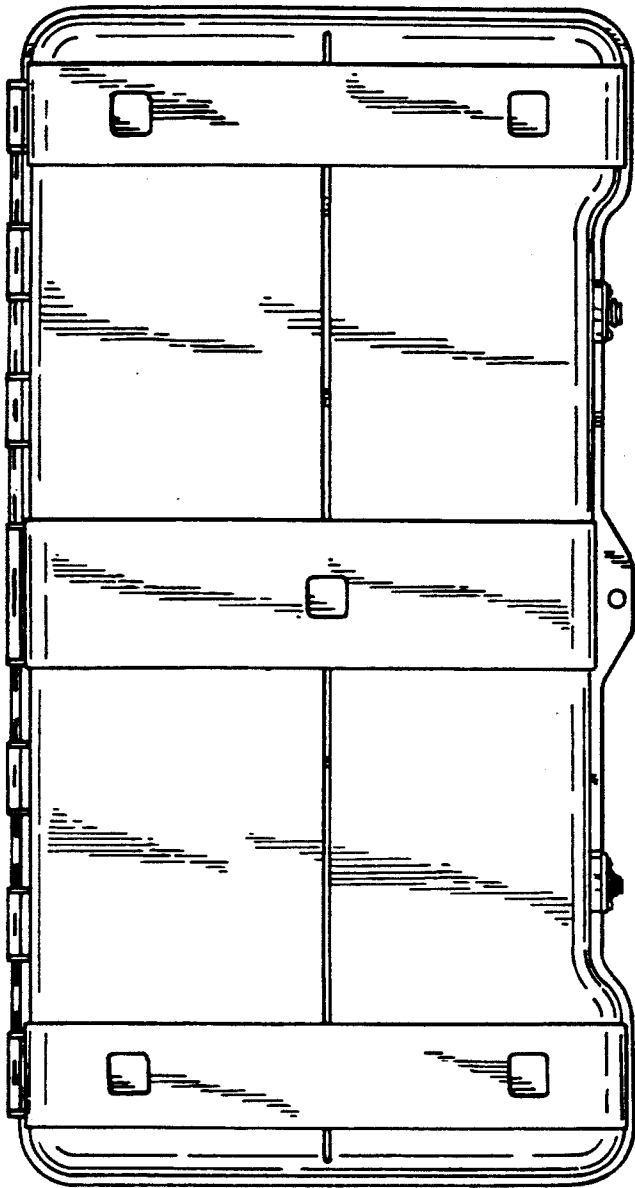


FIG. 2.

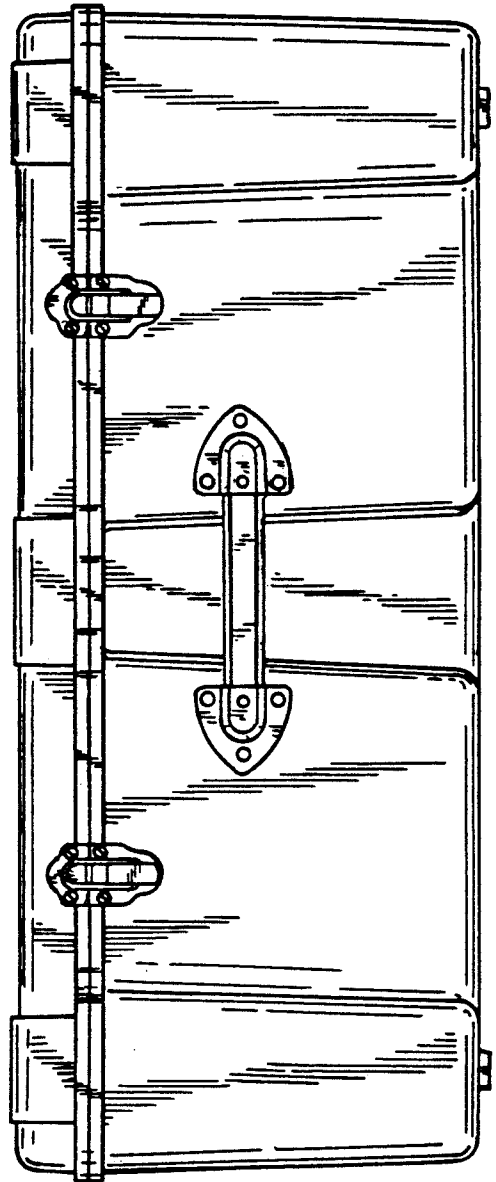


FIG. 3.

FIG. 4.

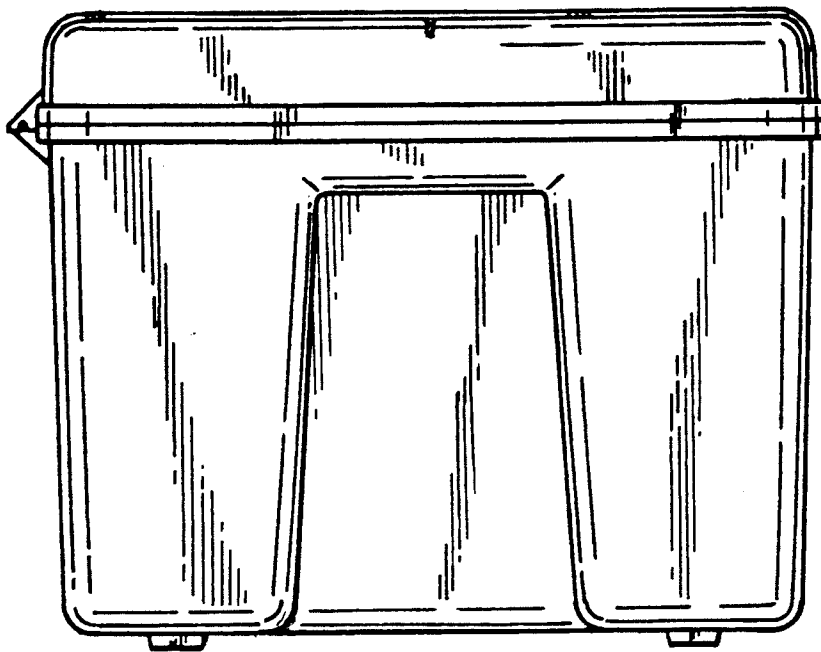
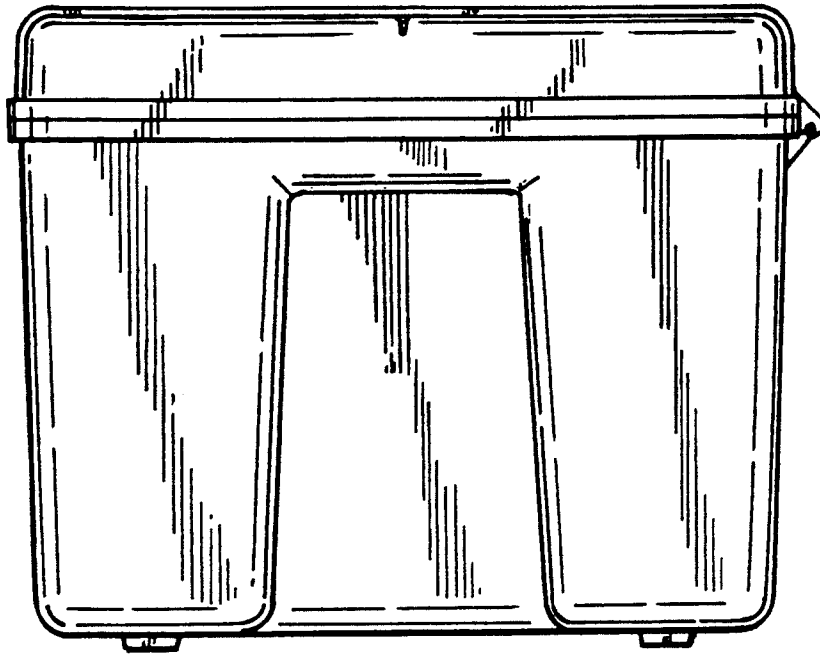


FIG. 5.

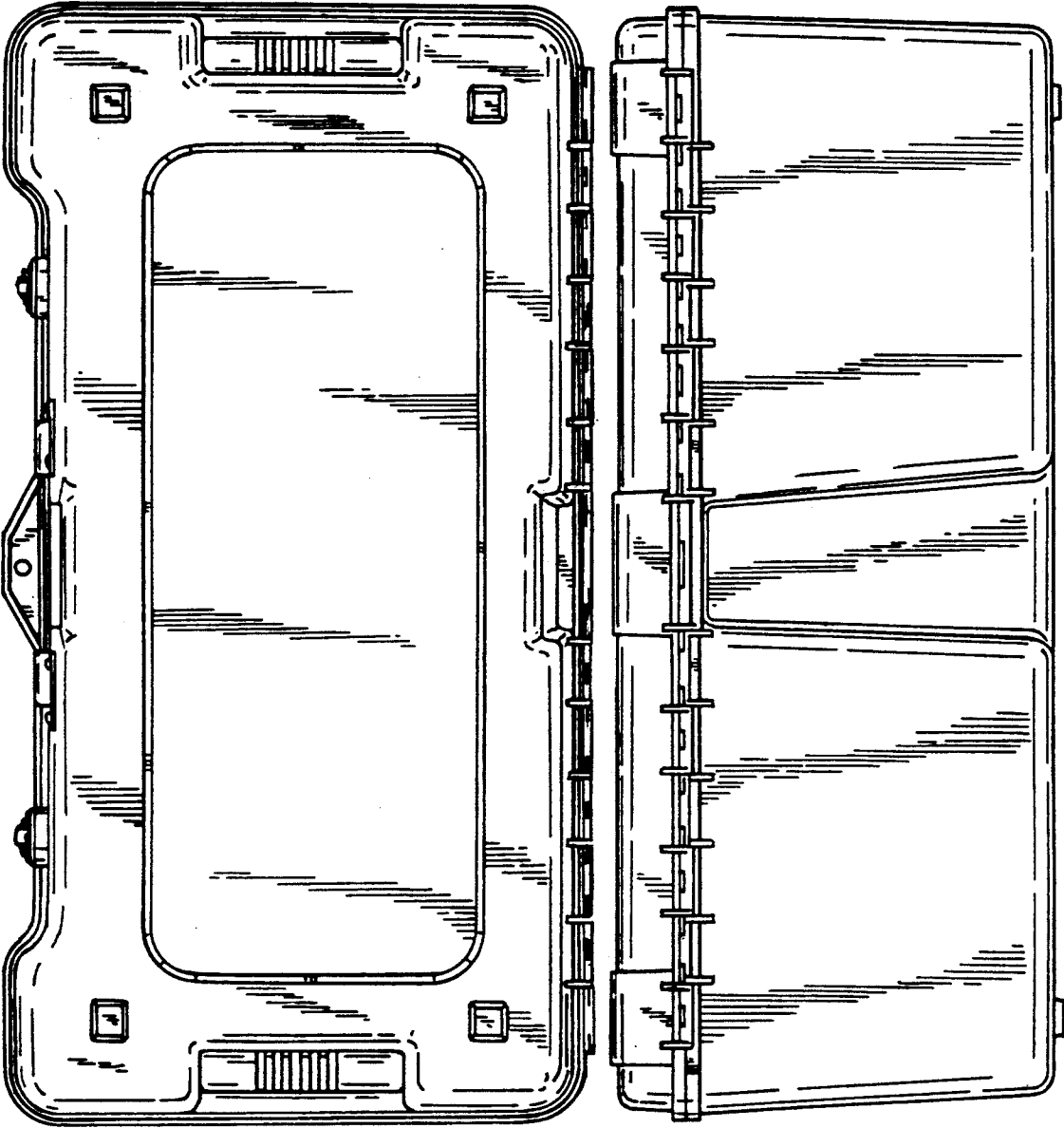


FIG. 7.

FIG. 6.