



US00D769658S

(12) **United States Design Patent**
Petrucelli

(10) **Patent No.:** **US D769,658 S**

(45) **Date of Patent:** **** Oct. 25, 2016**

- (54) **BEAUTY SALON CHAIR**
- (71) Applicant: **P.S. Pibbs, Inc.**, Flushing, NY (US)
- (72) Inventor: **Giulio Petrucelli**, Flushing, NY (US)
- (73) Assignee: **P.S. PIBBS, INC.**, Flushing, NY (US)

D660,619 S *	5/2012	Petrucelli	D6/360
D664,793 S *	8/2012	Petrucelli	D6/360
D668,085 S *	10/2012	Bellin	D6/716
D677,949 S *	3/2013	Voyce, IV	D6/716
D677,950 S *	3/2013	Voyce, IV	D6/716
D677,951 S *	3/2013	Voyce, IV	D6/716
D677,952 S *	3/2013	Voyce, IV	D6/716

(**) Term: **14 Years**

* cited by examiner

(21) Appl. No.: **29/524,621**

Primary Examiner — Mimosa De
(74) *Attorney, Agent, or Firm* — Gerald E. Hespos;
Michael J. Porco; Matthew T. Hespos

(22) Filed: **Apr. 22, 2015**

(57) **CLAIM**

(51) **LOC (10) Cl.** **06-01**

The ornamental design for a beauty salon chair, as shown and described.

(52) **U.S. Cl.**
USPC **D6/716; D6/360**

DESCRIPTION

(58) **Field of Classification Search**
USPC D6/334-336, 364, 365, 366, 367, 374,
D6/376, 379, 380, 716, 716.1, 716.2,
D6/716.3, 716.4
CPC A47C 3/18; A47C 3/20; A47C 7/18;
A47C 7/50; A47C 7/54; A47C 9/00; A47C
9/007

FIG. 1 is a perspective view of a beauty salon chair in accordance with my design;
FIG. 2 is a top plan view of the beauty salon chair of FIG. 1;
FIG. 3 is a front elevational view thereof;
FIG. 4 is a left side elevational view, with the right side elevational view being a mirror image thereof;
FIG. 5 is a rear elevational view thereof; and,
FIG. 6 is a bottom plan view thereof.

See application file for complete search history.

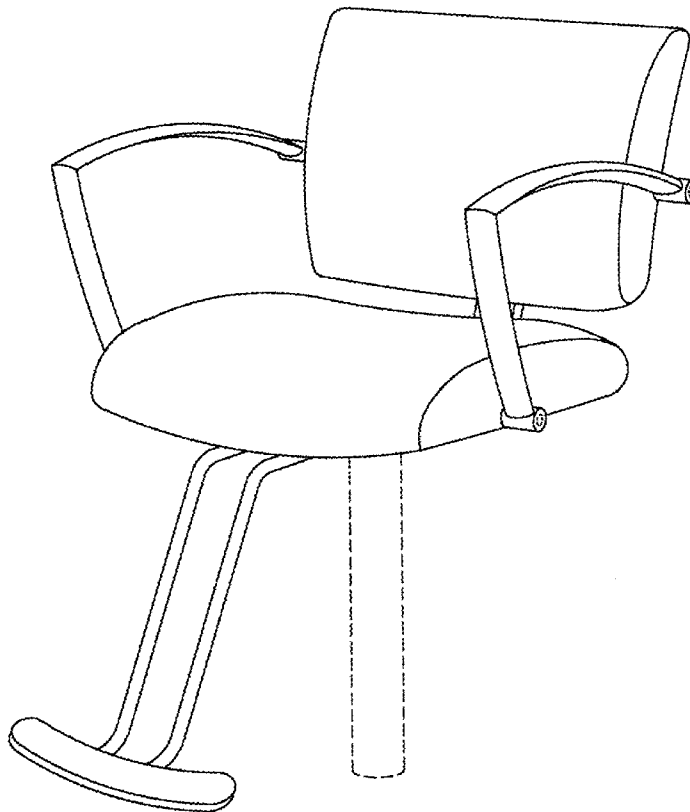
The broken lines showing the pedestal in FIG. 1 and the screws in FIGS. 1 and 4-6 are for illustrative purposes only and form no part of the claimed design.

(56) **References Cited**

U.S. PATENT DOCUMENTS

D243,909 S *	4/1977	Gabourie	D6/364
D565,871 S *	4/2008	Petrucelli	D6/364

1 Claim, 6 Drawing Sheets



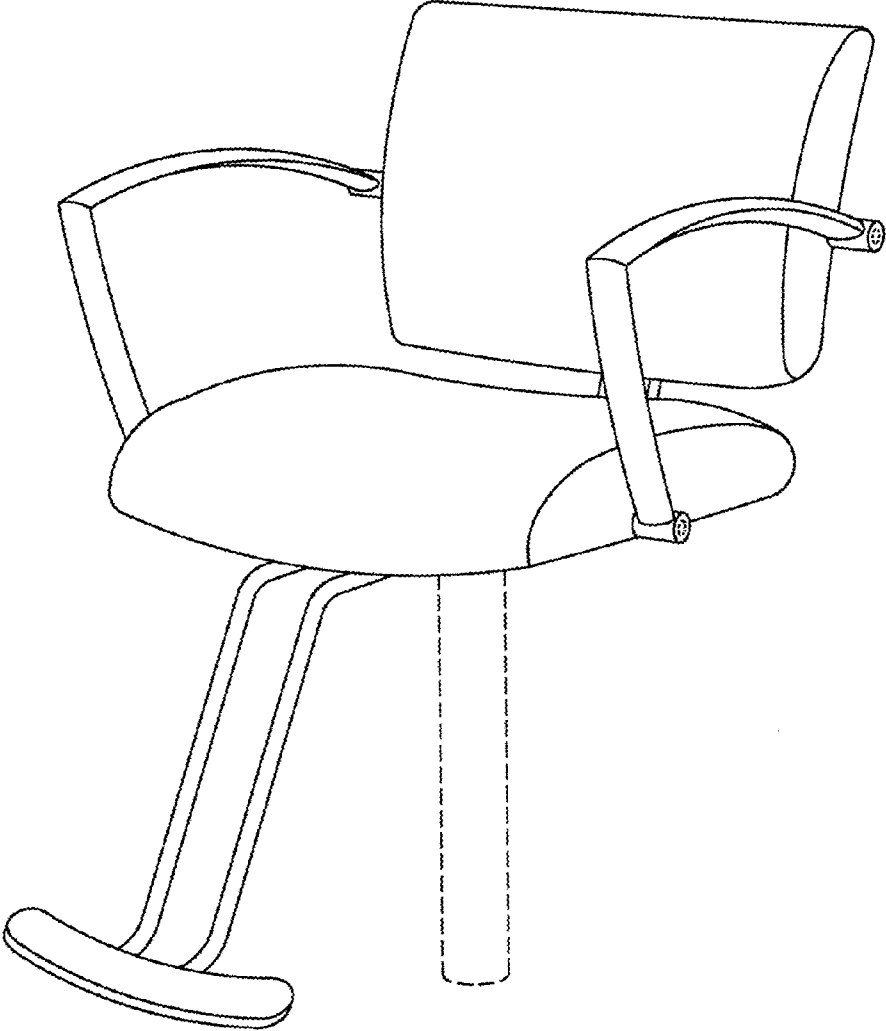


FIG. 1

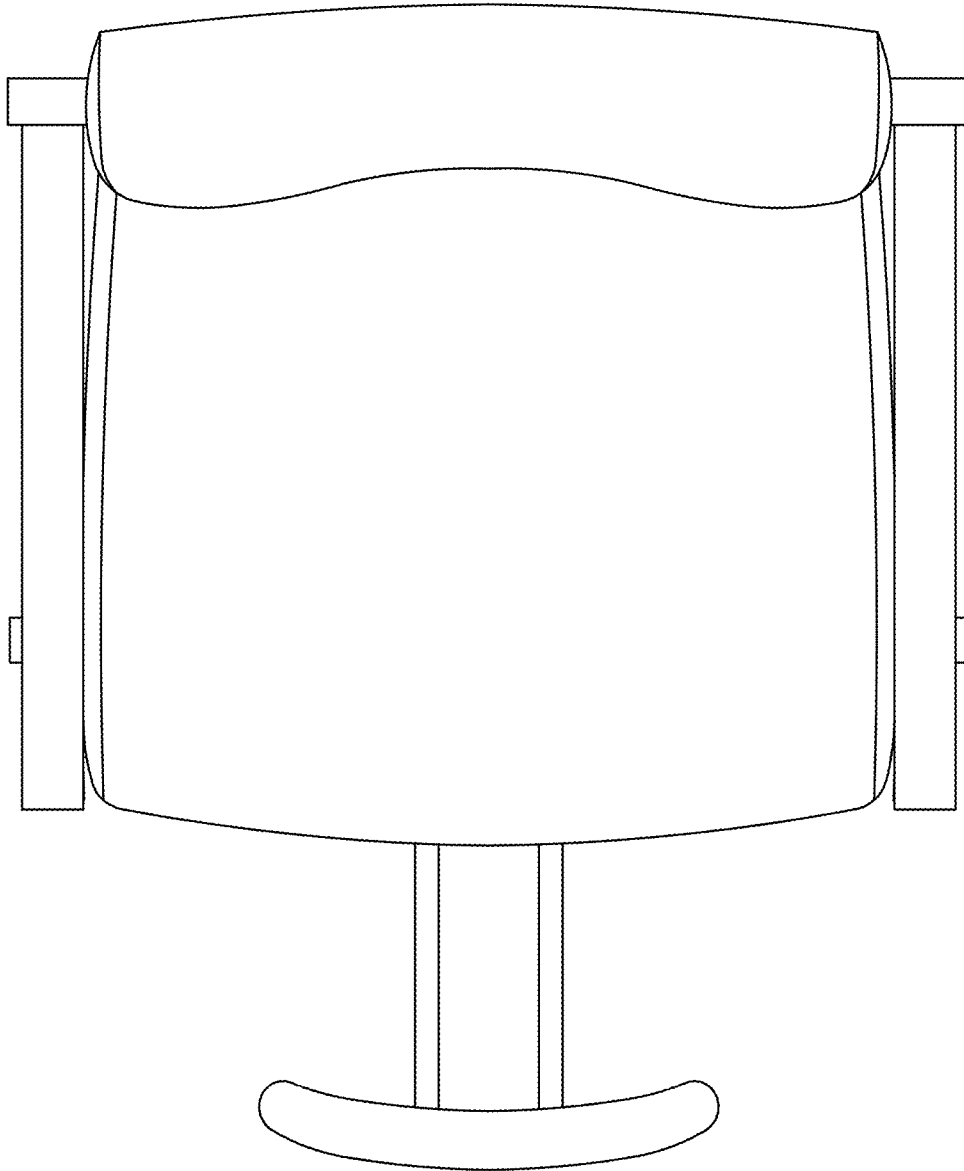


FIG.2

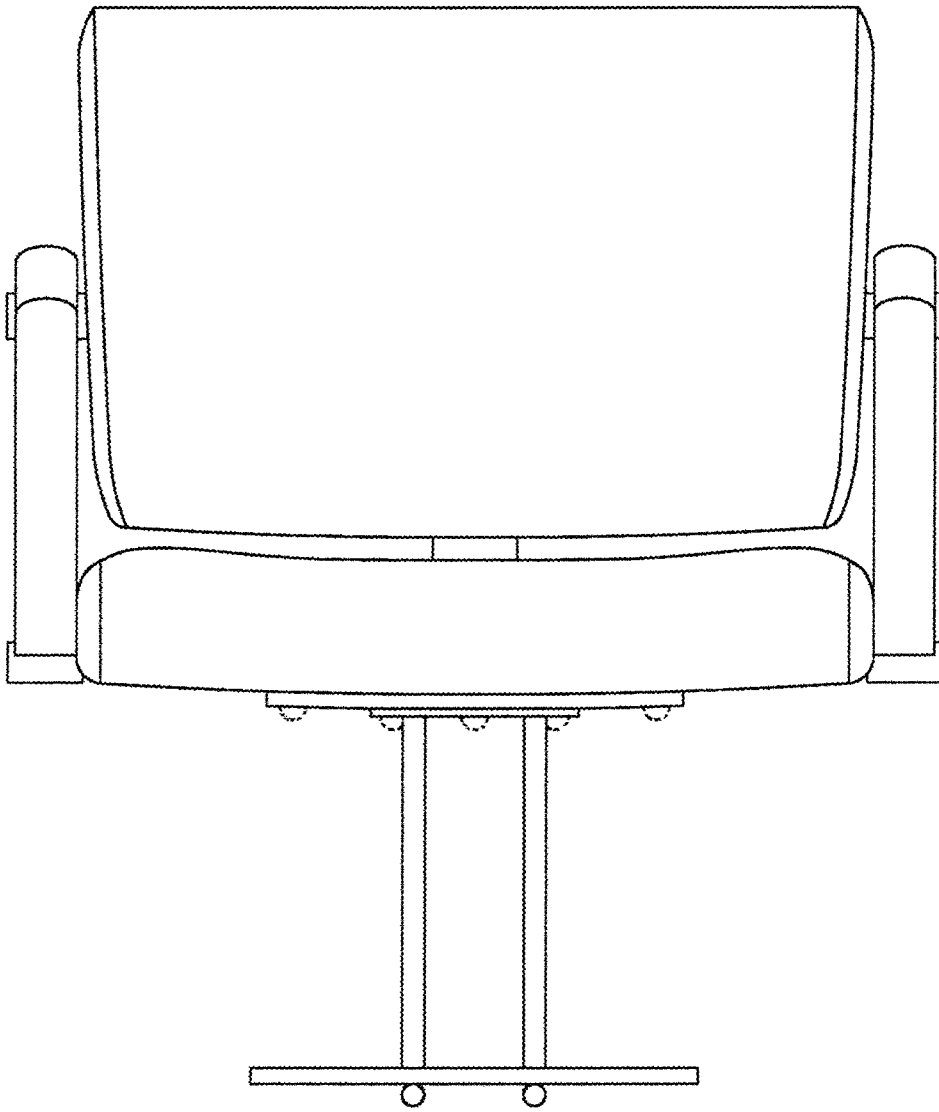
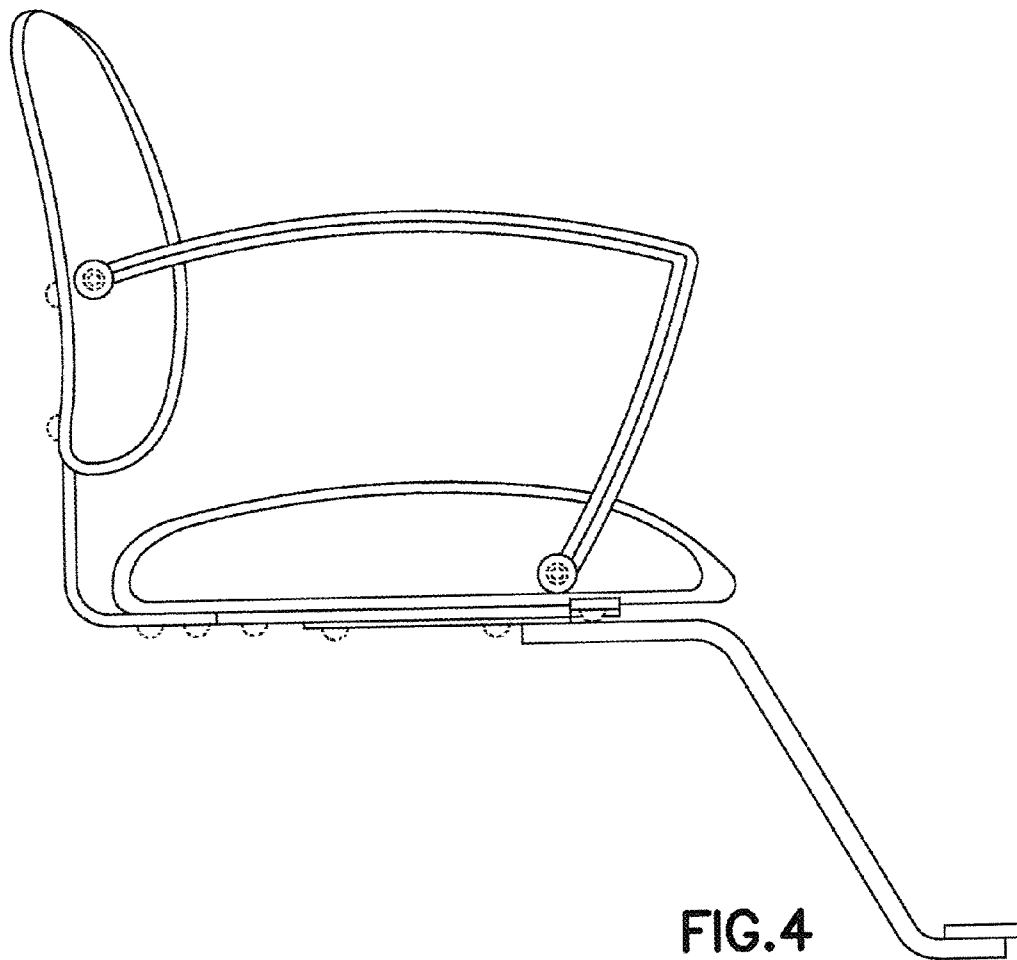


FIG.3



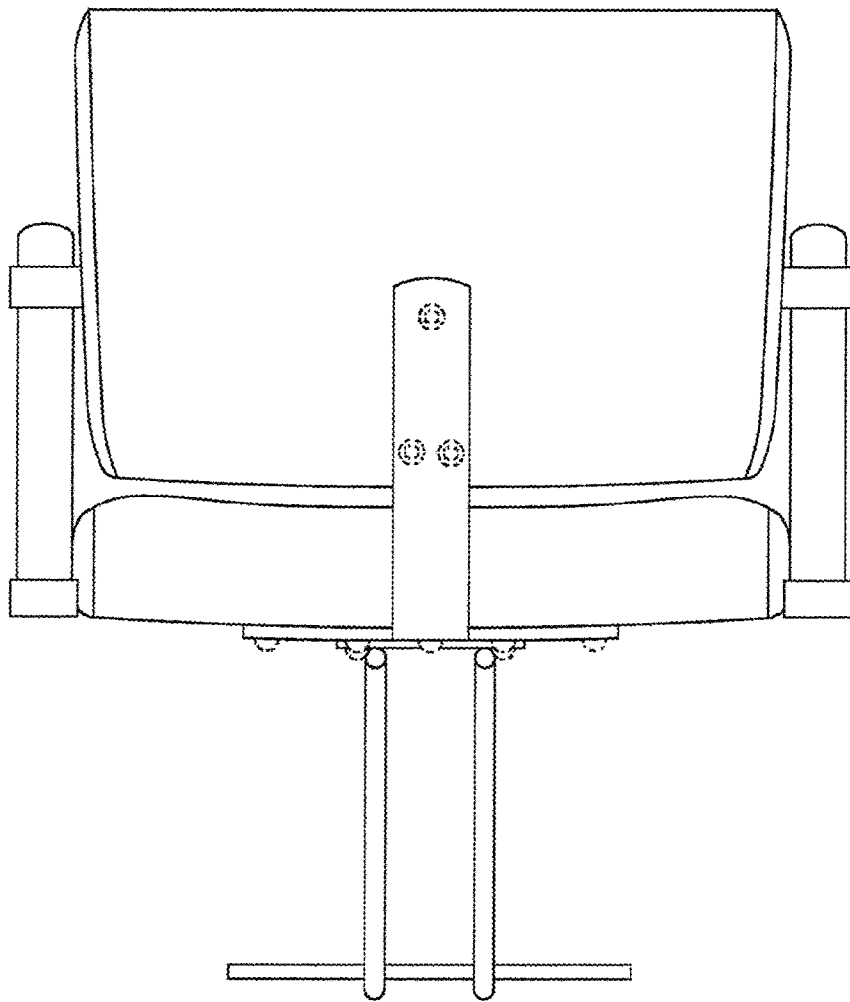


FIG.5

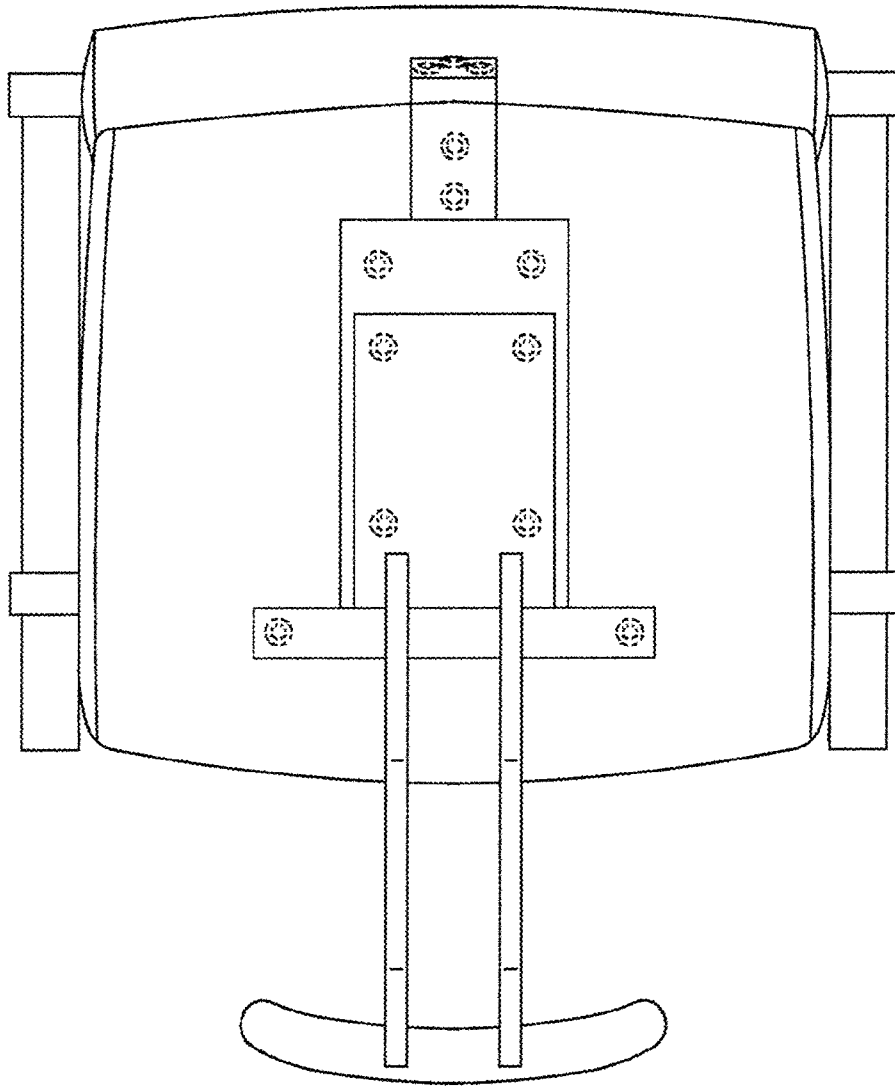


FIG.6