



US00D751934S

(12) **United States Design Patent**  
**Rodda**

(10) **Patent No.:** **US D751,934 S**

(45) **Date of Patent:** **\*\* \*Mar. 22, 2016**

(54) **WRIST METER-MOUNT SYSTEM**

2012/0051193 A1 3/2012 Yu  
2012/0101602 A1 4/2012 Andren et al.  
2013/0151699 A1 6/2013 Vock et al.

(71) Applicant: **Patrick Rodda**, Tucson, AZ (US)

\* cited by examiner

(72) Inventor: **Patrick Rodda**, Tucson, AZ (US)

*Primary Examiner* — Antoine D Davis

(73) Assignee: **Meterist LLC**, Tuscon, AZ (US)

(74) *Attorney, Agent, or Firm* — Invention To Patent Services; Alex R. Hobson

(\*) Notice: This patent is subject to a terminal disclaimer.

(57) **CLAIM**

The ornamental design for a wrist meter-mount system, as shown and described.

(\*\*) Term: **14 Years**

**DESCRIPTION**

(21) Appl. No.: **29/461,562**

(22) Filed: **Jul. 24, 2013**

(51) **LOC (10) Cl.** ..... **10-04**

(52) **U.S. Cl.**

USPC ..... **D10/80; D10/103**

(58) **Field of Classification Search**

USPC ..... D10/70, 78, 80, 103; 24/66.1, 303, 688;  
73/866.5; 292/251.5; 368/281;  
439/37-40

CPC ..... E05C 19/16; G01R 1/02; G01R 1/04;  
G01R 1/067; G01R 1/06788

See application file for complete search history.

FIG. 1 is a perspective view of a wrist meter-mount system with a meter mount portion and a wrist mount portion; FIG. 2 is a perspective view of a meter mount portion; FIG. 3 is a perspective view of a meter mount portion attached to a meter;

FIG. 4 is a perspective view of a wrist mount portion having a cantilevered base in an inclined position;

FIG. 5 is a top-down view of a wrist meter-mount system with a meter attached thereto;

FIG. 6 is a perspective view of a wrist meter-mount system with the meter mount portion attached to the wrist mount portion having a cantilevered base in an inclined position; and,

FIG. 7 is a perspective view of a wrist meter-mount system with the meter mount portion attached to the wrist mount portion having a cantilevered base in a down position.

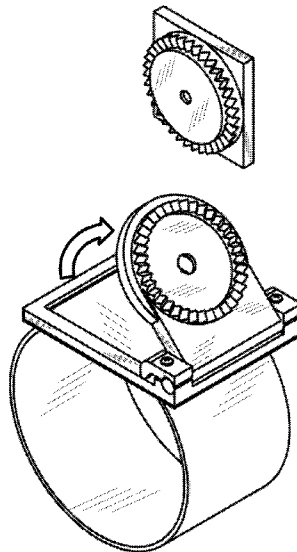
The wrist meter-mount system comprises a meter mount portion comprising a first plurality of engagement teeth around a first magnetic coupler, a wrist mount portion comprising a second plurality of engagement teeth around a second magnetic coupler, a cantilevered base, and a wrist strap. The meter shown in FIGS. 3 and 5 is shown in broken lines for the purposes of illustrating environmental structure and forms no part of the claimed invention.

(56) **References Cited**

U.S. PATENT DOCUMENTS

4,453,294 A	6/1984	Morita	
5,004,425 A	4/1991	Hee	
5,117,444 A	5/1992	Sutton	
5,781,511 A	7/1998	Yasukawa et al.	
5,986,446 A	11/1999	Williamson	
6,940,270 B2	9/2005	Chen	
D510,287 S *	10/2005	Chen et al.	D10/78
7,333,914 B1	2/2008	Iachini	
7,396,235 B2 *	7/2008	De Wilde et al.	439/39
7,609,503 B2 *	10/2009	Hee	361/220
2011/0224564 A1	9/2011	Moon et al.	

**1 Claim, 6 Drawing Sheets**



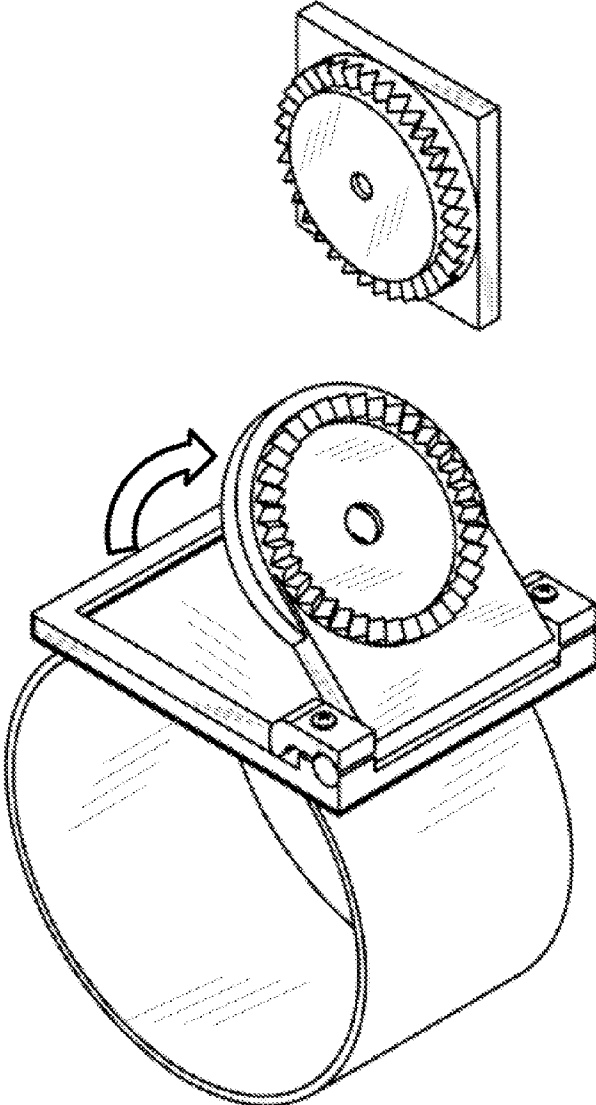


FIG. 1

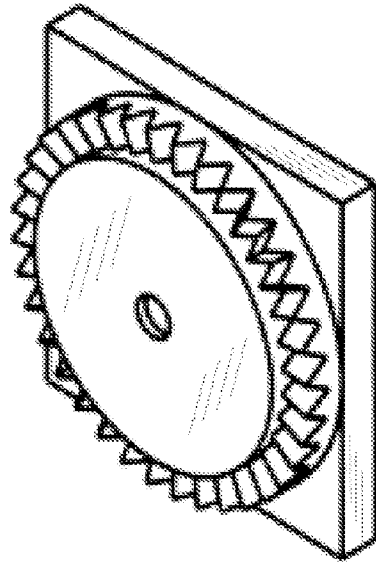


FIG. 2

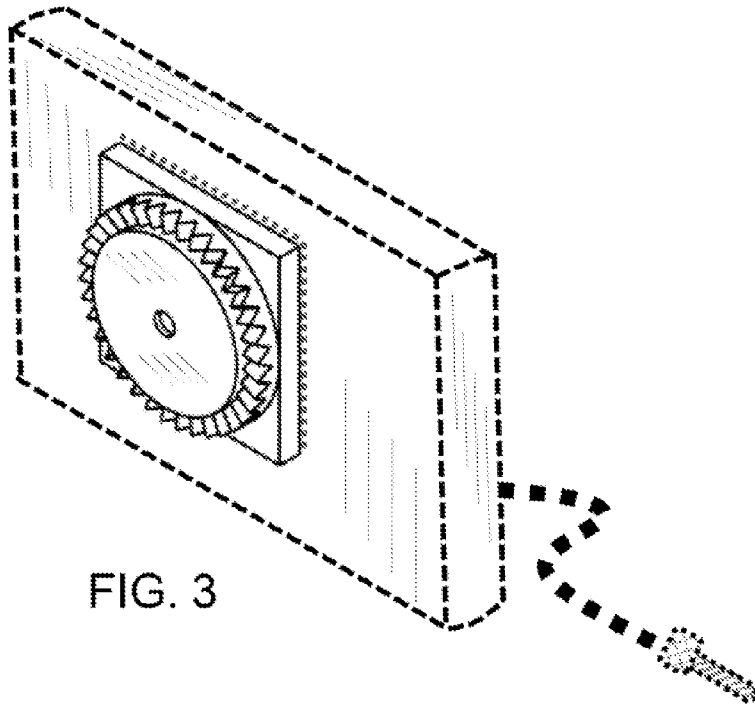


FIG. 3

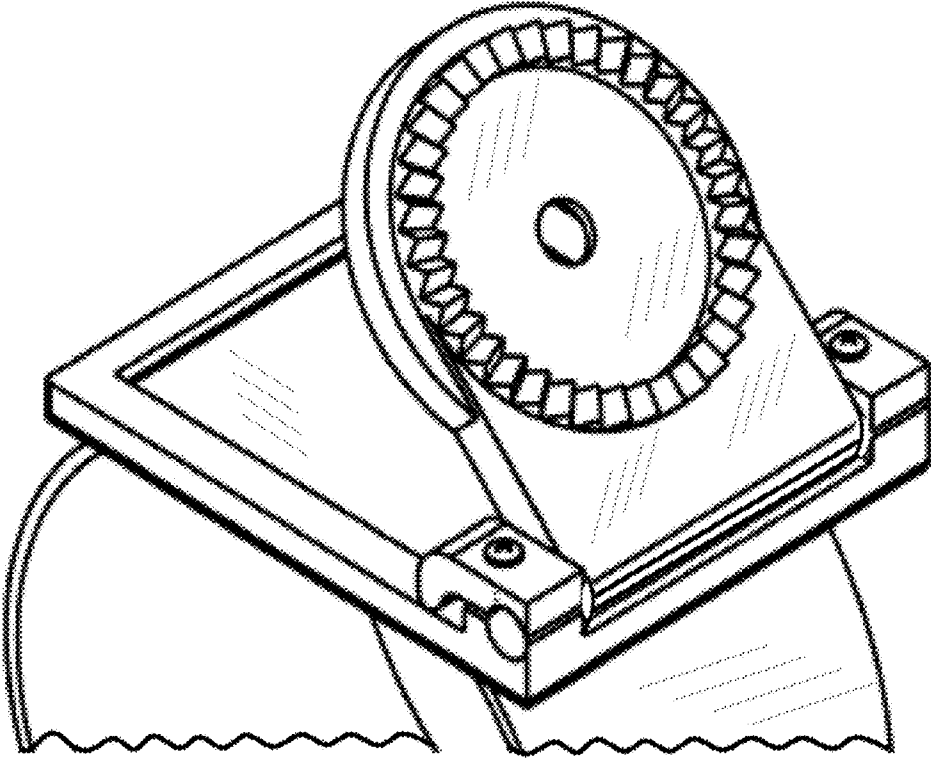


FIG. 4

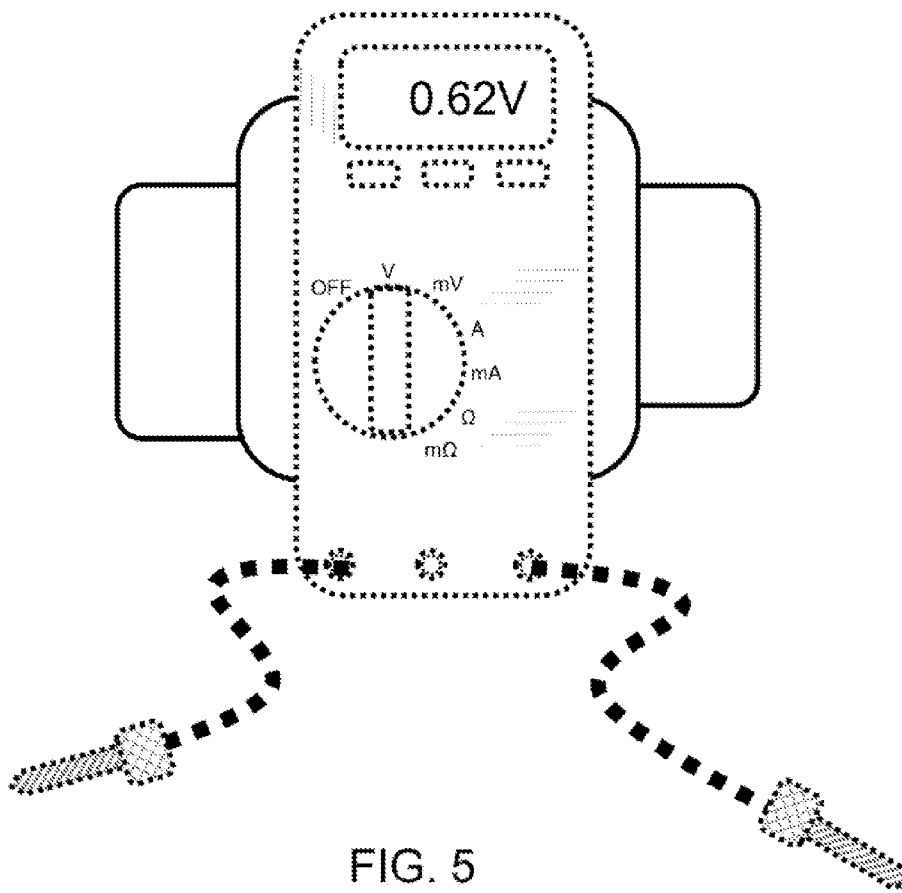


FIG. 5

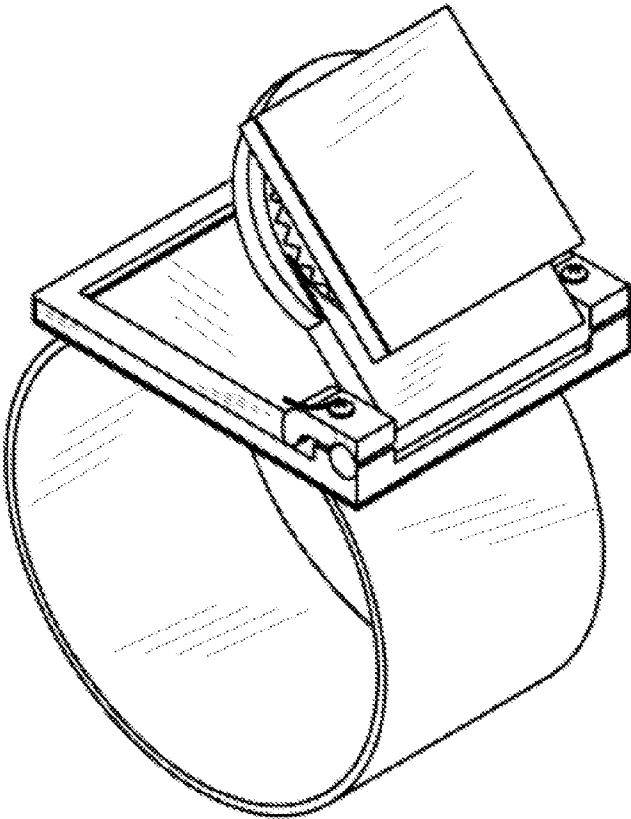


FIG. 6

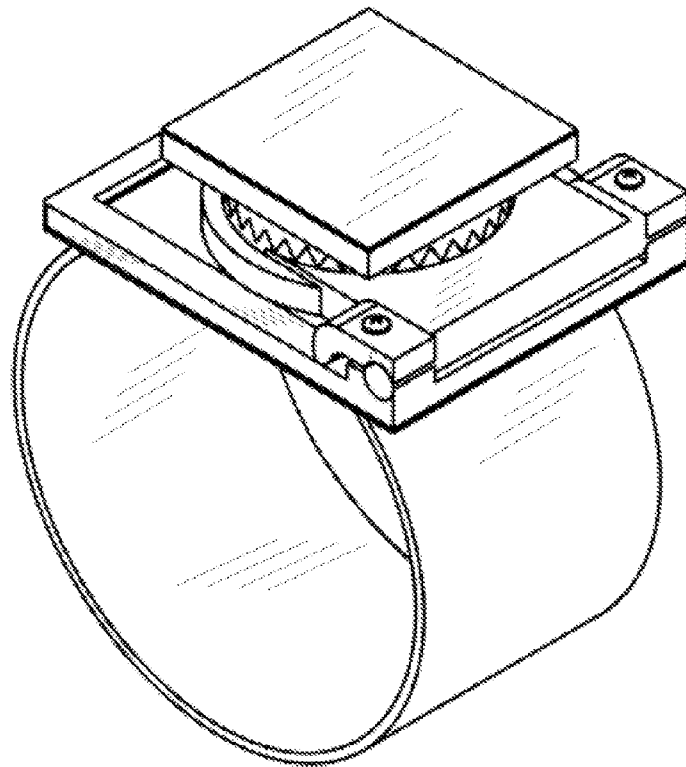


FIG. 7