

(19) World Intellectual Property Organization
International Bureau



(43) International Publication Date
4 October 2001 (04.10.2001)

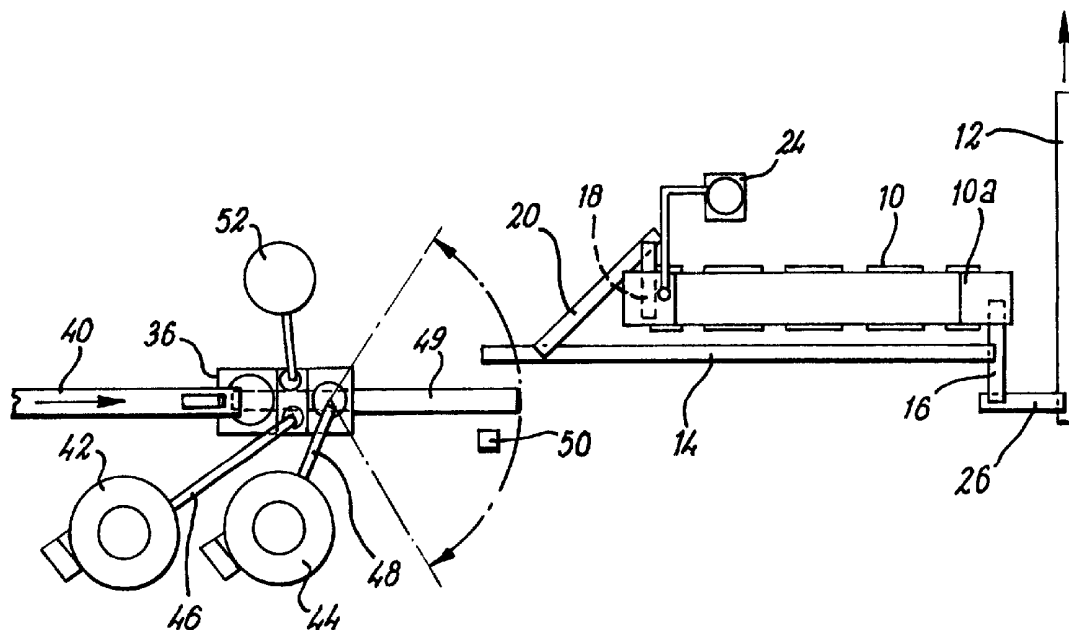
PCT

(10) International Publication Number
WO 01/72646 A1

- (51) International Patent Classification⁷: C02F 11/14, 11/18
- (21) International Application Number: PCT/GB01/01239
- (22) International Filing Date: 22 March 2001 (22.03.2001)
- (25) Filing Language: English
- (26) Publication Language: English
- (30) Priority Data:
0007246.2 25 March 2000 (25.03.2000) GB
- (71) Applicant (for all designated States except US): **R3 MANAGEMENT LIMITED** [GB/GB]; Europa 46, Bird Hall Lane, Stockport, Cheshire SK3 0XA (GB).
- (72) Inventor; and
- (75) Inventor/Applicant (for US only): **MILLARD, Robin** [GB/GB]; Greenways, Yew Tree Way, Prestbury, Cheshire SK10 4EX (GB).
- (74) Agents: **MCNEIGHT, David, Leslie** et al.; McNeight & Lawrence, Regent House, Heaton Lane, Stockport, Cheshire SK4 1BS (GB).
- (81) Designated States (national): AE, AG, AL, AM, AT, AU, AZ, BA, BB, BG, BR, BY, BZ, CA, CH, CN, CO, CR, CU, CZ, DE, DK, DM, DZ, EE, ES, FI, GB, GD, GE, GH, GM, HR, HU, ID, IL, IN, IS, JP, KE, KG, KP, KR, KZ, LC, LK, LR, LS, LT, LU, LV, MA, MD, MG, MK, MN, MW, MX, MZ, NO, NZ, PL, PT, RO, RU, SD, SE, SG, SI, SK, SL, TJ, TM, TR, TT, TZ, UA, UG, US, UZ, VN, YU, ZA, ZW.
- (84) Designated States (regional): ARIPO patent (GH, GM, KE, LS, MW, MZ, SD, SL, SZ, TZ, UG, ZW), Eurasian patent (AM, AZ, BY, KG, KZ, MD, RU, TJ, TM), European patent (AT, BE, CH, CY, DE, DK, ES, FI, FR, GB, GR, IE, IT, LU, MC, NL, PT, SE, TR), OAPI patent (BF, BJ, CF, CG, CI, CM, GA, GN, GW, ML, MR, NE, SN, TD, TG).
- Published:**
- with international search report
 - before the expiration of the time limit for amending the claims and to be republished in the event of receipt of amendments

[Continued on next page]

(54) Title: TREATING SEWAGE OR LIKE SLUDGE



(57) Abstract: There is disclosed a process for treating sewage sludge or similar organic sludge in which dewatered sludge cake and an alkaline admixture are mixed and then dried under pasteurisation conditions utilising heat from the exothermic reaction with the alkali, in which drying is effected by extraction of moisture evaporated from the mixture by the exothermic heat.

WO 01/72646 A1



For two-letter codes and other abbreviations, refer to the "Guidance Notes on Codes and Abbreviations" appearing at the beginning of each regular issue of the PCT Gazette.

TREATING SEWAGE OR LIKE SLUDGE

This invention relates to treating sewage sludge or similar organic sludge, such as that obtained from industrial sites such as waste water treatment plants.

EP 0 283 153 B1 discloses a method of treating wastewater sludge to provide a fertiliser for agricultural lands which can be applied directly to the land. The method involves mixing the sludge with alkaline material of specified fineness to raise the pH of the mixture to at least 12 for at least a day and to effect pasteurisation, and then drying the mixture. Drying is done either a) by aeration and maintaining the pH above 12 for at least seven days until the solids levels reach and maintain a minimum of 65% bulk solids, or b) by aeration and heating to a temperature of at least 50°C and so that the solids levels reach and maintain a minimum of 50% solids. In b) the temperature should not be so high as to destroy all non-pathogenic organisms. The elevation of the pH and the drying are effected so as to reduce odour and undesirable viruses, bacteria, parasites and vector (e.g. flies) attraction to the sludge and prevent significant pathogen regrowth while not eliminating beneficial non-pathogenic microorganisms. At least some of the temperature rise is due to the exothermic reaction with the alkali. The product is allowed to air cure for about 10 days after achieving the desired solids content. Drying and curing may be effected by windrowing, turn-over or other forced air methods, and curing or aeration time is dependent on the aeration procedure and other factors and clearly need to be determined, for any particular circumstances, experimentally to see that the required end point has been reached. This involves taking samples to measure the solids content, testing for :

- animal viruses - less than one plaque forming unit per 100 ml
- salmonella bacteria - less than three colony forming units per 100 ml

- parasites - less than one viable egg per 100 ml
- significant regrowth of the pathogenic microorganisms - there should be none

and assessing the reduction of odour to a level tolerable in a closed room and that this reduction is maintained indefinitely under any climatic conditions, and whether flies are less attracted to the product. At the same time, the presence of at least some beneficial non-pathogenic microorganisms must be established.

If method b) is used, the minimum recommended time for maintaining the temperature at least 50°C (but not so high as to destroy all non-pathogenic microorganisms) is at least 12 hours and the heat treated alkaline stabilised dewatered sludge cake is then air dried (while the pH remains above 12 for at least 3 days) through intermittent turning of windrows until a minimum of 50% solids content is achieved.

GB 2 276 876 A, which refers to EP 0 283 153, describes treatment of sewage sludge having a solids content of at least 15% by weight with an alkaline material containing free lime, and storing and/or drying and/or composting the resultant mixture, adding sufficient lime to the mixture to achieve a pH of at least 10. Higher pH values, even higher than 12, are not ruled out, but it is suggested that excellent reduction in pathogens can be achieved at pH levels below 12 with reduced evolution of ammonia, which renders the treated sludge and its surroundings less unpleasant and means that the treated material retains more nitrogen increasing its value as a fertiliser.

The method of GB 2 276 876 involves dewatering the sludge, e.g. in a press, and measuring it using a weigh hopper into a mixer into which is delivered alkaline material in the appropriate amount, the mixed material being delivered to a skip to deliver it to a windrowing area where it is turned periodically, normally for a period up

to seven days. It is suggested also that provided the amount of calcium oxide that has been introduced is sufficient to raise the pH to a value greater than 12, and sufficient, indeed, to ensure that it stays above 12 for at least 2 hours, then it is possible to store the mix for not less than two hours, but then apply it directly to the land. However, GB 2 276 876 notes that such a product is not sterile.

It is apparent that the methods described in these two specifications are labour intensive and to a large extent dependent upon a subjective judgement (the assessment of odour in a closed room, for example) or upon results of biological tests which themselves could take days or weeks before you have a result.

It is necessary, for effective treatment, to mix the alkali with dewatered sludge, but sludge, nonetheless that comprises a substantial quantity of water, as it is only in the presence of water that the desired exothermic chemical reaction takes place. The end product - as is clear from the specification discussed - is required to have less water content than is appropriate during the heat-development stage. It is an essential part of the process, then, that the product be eventually dried, and this is the reason for treating it by windrowing. Windrowing, especially aeration by turning over windrows, is not only labour intensive and floor space intensive, it is a slow method of drying.

There are further problems and disadvantages with prior art methods such as those disclosed in EP 0 283 153 and GB 2 276 876. For example, it is generally accepted wisdom within the art that the step of pasteurisation should take at least a day: the reader is directed to EP 0 283 153 B1 for a detailed discussion of this point.

International Publication No. WO 98/29348 discloses a different approach to the treatment of sewage sludge to those disclosed in EP 0 283 153 and GB 2 276 876. In WO 98/29348, drying is effected solely by heating caused by exothermic reaction with an alkaline admixture. Thus, the approach of WO 98/29348 has the considerable

advantage that the time and space consuming step of aeration is not required. This results in improvements in processing speeds - near continuous or continuous operation is possible. Furthermore, there are substantial reductions in the amount of floor space required for a processing plant which employs the method of WO 98/29348.

However, it would be highly desirable to provide further reductions in the processing time required to treat sewage sludge, whilst maintaining or improving the quality of the final product, since throughput can then be increased.

The present invention overcomes the aforementioned problems and disadvantages, and overturns the received wisdom in the art regarding the nature of the pasteurisation step. Further the present invention does not utilise time and space aeration techniques.

According to the invention there is provided a process for treating sewage sludge or similar organic sludge in which dewatered sludge cake and an alkaline admixture are mixed and then dried under pasteurisation conditions utilising heat from the exothermic reaction with the alkali; in which drying is effected by extraction of moisture evaporated from the mixture by the exothermic heat;

characterised in that the pasteurisation conditions comprise maintaining a pasteurising temperature for less than 10 hours at a pH of at least 12, the pH of the mixture being maintained at 12 or above for less than a day.

Surprisingly, it has been found that such treatment, hitherto regarded as too short, can effect pasteurisation of the sludge. In particular, *E. coli* 157 and *Ascaris* species can be completely destroyed, or killed to an extent to which only a few organisms or eggs survive. Thus, the processing time required in order to treat the sludge is reduced.

Preferably, the pasteurising temperature is maintained for less than 8 hours, more preferably less than 6 hours, most preferably for about 4 hours. The time during which the mixture is at 12 or above is, necessarily, longer than the time spent at the pasteurising temperature. However, it is desirable that the mixture is at 12 or above for as short a period of time as possible.

The drying may be effected to dry the product to at least 50%, preferably at least 55%, dry solids content.

The drying may be effected to dry the product to between 50 and 65%, preferably between 55 and 60% dry solids content. The drying product may pass two or more times through a drying hopper. Drying may be assisted by an air flow, which may be fan generated. Gases given off during drying may be passed through an ammonia scrubber.

It is important that the product is relatively dry, since microorganisms can survive and regenerate in a wet environment, whereas they cannot do so in an aggressive dry environment. The combination of high pH and high dry solids - in excess of 50% - offers long term stability of the product without pathogen regrowth.

The drying may be effected in a first in first out (FIFO) hopper.

Drying may be effected in a cycling operation until a predetermined moisture content is detected, then the dried material is discharged.

The dried material may be tested for moisture (or dry solids content) by a sensor the output of which determines whether the product is recycled or delivered to another location, e.g. a stockpile. The dried mixture may be tested by an infra-red moisture measuring transducer.

At the beginning of the process, the dewatered sludge may be measured for water content and the measure used to control the alkaline admixture - the dewatered sludge may pass beneath an infra-red moisture measuring transducer.

The dewatered sludge cake may be fed to a storage bin from where it is delivered to a mixing arrangement with the alkaline admixture. The storage bin may have a level sensor controlling the supply of sludge cake to the storage bin and/or delivery of sludge cake to the mixing arrangement. The delivery of sludge cake to the mixing arrangement may be measured and the measurement used to control the supply of alkaline admixture to the mixing arrangement. Delivery of sludge cake to the mixing arrangement may be effected by a weigh belt.

The moisture content of the mixed dewatered sludge cake and alkaline admixture may be measured and the measurement may be used to control the addition of said admixture to said sludge cake.

The moisture content of the mixed dewatered sludge cake and alkaline admixture may be measured before drying and the measurement used to control the drying process.

Dewatered sludge cake may be fed directly from a dewatering arrangement such for example comprising a belt press arrangement.

The belt press arrangement may comprise primary and secondary high pressure belt press arrangements.

The output from the infra-red moisture measuring transducer may be used to control sludge cake throughout via adjustment of the operation of the belt process arrangement.

The process may be controlled by a microprocessor.

Feedback loops may be used to control operational parameters (such as feed rates, alkaline admixture mixing ratios and polyelectrolyte dosing). The feedback loops may comprise proportional integral differential loops.

The steps of mixing, filling, drying and discharging the product may be performed within 24 hours. The step of filling comprises filling a pasteurisation unit, such as a FIFO hopper. The mixing and filling may be performed in less than 8 hours, drying in less than 5 hours and discharging in less than 3 hours.

Processes in accordance with the invention will now be described with reference to the accompanying drawings, in which :-

Figure 1 is a plan view of a sludge cake-alkali mixing apparatus; and

Figure 2 is a schematic diagram of apparatus for introducing sludge cake to the mixing apparatus;

The invention comprises a process for treating sewage sludge and similar organic sludge in which dewatered sludge cake and an alkaline admixture are mixed and then dried under pasteurisation conditions utilising heat from the exothermic reaction with the alkali, in which drying is effected by extraction of moisture evaporated from the mixture by the exothermic heat. Apparatus for performing the process are depicted in Figures 1 and 2.

Pasteurisation and drying, by aeration, is effected in a first in first out (FIFO) hopper 10 such as a 100% live capacity Samson hopper fitted with full width discharger 10a.

The drying is effected in a cycling operation until a predetermined moisture content is detected, then the dried material is discharged via outloading belt conveyor 12, and take away belt conveyor 26.

The drying is effected to dry the product to between 50 and 65%, preferably between 55 and 60%, dry solids content. The drying product passes two or more times through the drying hopper 10, carried by an inclined belt conveyor 14, reversing belt conveyor 16, screw feeder discharger 18 and recycling belt conveyor 20. Drying is assisted by an air flow which may be fan generated by an extraction fan (not shown). The air flow is distributed across the cross section and length of the hopper 10.

Gases given off during drying are passed through an ammonia scrubber 24. Thus discharges to atmosphere are treated, and do not present a health risk either to the process operators or to the general public. Residual material from the ammonia scrubber 24 may be mixed with the final dried product to eliminate a waste stream and to enhance the nutrient value of the final product.

The product is held for a maximum of 10 hours at pasteurisation temperature, which is monitored by temperature probes (not shown). Typically, the pasteurisation temperature is in the range 50-55°C, although the use of higher temperatures still is not ruled out.

Surprisingly, it has been found that such a short heat treatment is sufficient to effect pasteurisation of the sludge. It is possible to hold the product at pasteurisation temperature for less than 8 hours, even less than 6 hours. In fact, maintenance of the pasteurisation temperature for about 4 hours has been found to be effective. It is not yet known if shorter heat treatment might be effective. It is anticipated that a treatment time of 2 hours, for example, would prove to be insufficiently long, but this has not yet been confirmed. For this reason, a numerical lower time limit is not provided herein (in any

event, such a lower time limit would likely depend on the specific application and nature of the sludge). However, the skilled person would have no difficulty in ascertaining, if he/she so wished, such a lower limit.

The present invention can effect complete or near complete destruction of harmful pathogens, in particular E.coli 157 and Ascaris species. Ascaris species are regarded as being particularly difficult to destroy-see, for example, EP 0 283 153.

The pH of the mixture is maintained for less than a day, preferably less than 12 hours. This can be ensured by providing an alkaline admixture which comprises (CaO) and one or more further additives, such as fly ash. The amount of lime used is enough - but just enough - to obtain the required rise in temperature. The fly ash (which is at a pH of ca. 9.5) provides granularity and bulk in the final product.

The dried material is tested for moisture (or dry solids content) by a sensor (not shown), the output of which determines whether the product is recycled or delivered to another location, e.g. a stockpile, via the reversing belt conveyor 16 and take away belt conveyor 26. The dried material may be tested by an infra-red moisture measuring transducer. The process achieves total exhaustion of free calcium oxide with the water in the drying product. Additionally, when the product is ready to be discharged, a reduction in temperature to around 25°C is achieved.

Figure 2 depicts apparatus used at earlier stages of the process. At the beginning of the process, the dewatered sludge is measured for water content and the measurement used to control the alkaline admixture. This is achieved by passing the dewatered sludge beneath an infra-red moisture measuring transducer 30, and subsequently controlling certain operations in a manner described more fully below.

The dewatered sludge cake is fed - via a belt conveyor 32 - to a storage bin 34 from where it is delivered to a mixing arrangement 36 with the alkaline admixture. The storage bin 34 has an ultrasonic level sensor 38 controlling the supply of sludge cake to the storage bin 34 and/or delivery of sludge cake to the mixing arrangement 36. The delivery of sludge cake to the mixing arrangement 36 is measured and the measurement used to control the supply of alkaline admixture to the mixing arrangement 36. Delivery of sludge cake (exiting the storage bin 34 via a sliding frame discharger 34a and screw feeder 34b) to the mixing arrangement is effected by a weigh belt feeder 40, which permits the measurement of sludge cake delivery by monitoring the weight of sludge cake fed.

The mixing arrangement 36 provides complete and intimate contact between the sludge cake and the alkaline admixtures without breaking the structure of the sludge cake (which would result in a "plasticised", paste-like material). Alkaline admixture is supplied from two silos 42, 44 via screw conveyors 46, 48. Further silos may be employed. Additionally, a lime silo 52 is provided. The purpose of the lime silo 52 is to provide small, controlled additions of CaO or a material having a high free CaO content (for example, lime kiln dust) in the event that the other alkaline admixtures do not achieve the required temperature rise and hold criteria. The mixed dewatered sludge cake and alkaline admixture is transferred via a swivel belt conveyor 49 to the inclined belt conveyor 14 which supplies the hopper 10. The moisture content of the mixed sludge cake and alkaline admixture is measured before drying and the measurement used to control the drying process. The measurement is made by an infra-red moisture measuring transducer 50, the output of which may also be used to adjust the feed rates of the alkaline admixture. This is used to achieve the desired mixed product moisture setting, typically 50%.

The dewatered sludge cake may be fed directly from a dewatering arrangement, which comprises a belt press arrangement (not shown). The belt press

arrangement involves both primary and secondary belt pressing operations. Such an arrangement results in a number of advantages, such as an increase in dry solids content from a norm of ca. 25% to a norm of ca. 33 to 38%. Furthermore, substantial reductions in sludge cake tonnage feed, alkaline admixture, mixed product and overall plant size are found to occur.

The process is controlled by an industrial process controller (PLC) with PC based data acquisition. The PLC provides automatic control of material handling, mixing, and the pasteurisation/aeration process. The control and automation system incorporates proportional integral differential (PID) feedback loop controls to optimise process economy (e.g. admixture consumption and polyelectrolyte usage during dewatering) within the constraints of the required operating parameters. The use of other feedback systems is within the scope of the invention. Inputs from the moisture sensors and tachometers fitted to the feed screws (which provide indications of speeds and thus feed rates) are used in the control loops, although the master control is provided by the weight indication given by the weigh belt feeder 40. Variables such as polyelectrolyte dosing, and belt process speed and throughput are also under microprocessor control. The output from infra-red moisture measuring transducer 30 may be used to control sludge cake throughput via adjustment of the operation of belt press arrangement, in particular to optimise dry solids output with respect to polyelectrolyte additions.

The system software provides both visual and hard copy on line, reporting on all of the process steps described above. Daily production reports, heat pulse temperature graphs, and sludge, mixed and final product dry solids reports can be made available. Additionally, a "help line" service from the operating site to Head Office is provided via a modem link, with a remote management reporting facility.

It is possible to provide essentially continuous treatment by careful control of treatment times and operating conditions. With a single pasteurisation unit (such as

the FIFO hopper 10) it is desirable to complete the entire process of mixing and filling, temperature rise and hold, recycling (comprising aeration and drying) and discharge within a 24 hour cycle. The major difficulty with the method of WO 98/29348 is that the pasteurisation temperature (typically 52 to 60°C) should be maintained for at least 12 hours, with another two hours or so additionally being required to attain this temperature. The present invention provides a significant improvement in this regard, since the pasteurisation temperature is maintained for a substantially reduced period of time.

The key process considerations required to achieve the 24 hour cycle are:-

- (a) Mixing and filling operations must be rapid. This involves such considerations as increased dewatering machine capacities and operating regimes, sludge buffer storage capacity increase and resultant mixing machine throughput requirement.
- (b) The recycle aeration and drying phase must be also rapid and efficient as perhaps only one complete recycle can be achieved. Special considerations during this phase are product discharge and recycle rates and ventilation requirements.
- (c) Finished product discharge to stockpile must also be at a high rate.

In order also to achieve (a), (b) and (c) above, total variable speed control of the dewatering machines, mixer drivers and the mass discharger is required. Such is provided using the PLC system described above.

If a twin pasteuriser arrangement is employed, a continuous operational cycle can be employed whilst enjoying 100% back-up capacity. In such an arrangement, an extra hopper might be provided to the set-up shown in Figure 1, swivel belt 49

alternating between the two hoppers. Alternatively, both pasteurisers can be used in tandem.

The advantages of the continuous treatment include reduced plant requirements, a reduced plant footprint, increased processing throughput and reduced operating labour and power costs per tonne of sludge processed, since most of the plant operations are carried out when the site is unmanned.

Modifications to the process described above will be apparent to those skilled in the art. For example, more admixture silos or an extra hopper for pasteurisation/drying might be provided.

CLAIMS

1. A process for treating sewage sludge or similar organic sludge in which dewatered sludge cake and an alkaline admixture are mixed and then dried under pasteurisation conditions utilising heat from the exothermic reaction with the alkali, in which drying is effected by extraction of moisture evaporated from the mixture by the exothermic heat;

characterised in that the pasteurisation conditions comprise maintaining a pasteurising temperature for less than 10 hours at a pH of at least 12, the pH of the mixture being maintained at 12 or above for less than a day.

2. A process according to claim 1, in which the pasteurising temperature is maintained for less than 8 hours, preferably less than 6 hours, more preferably for about 4 hours.

3. A process according to claim 1 or claim 2, in which drying is effected to dry the product to at least 50%, preferably at least 55%, dry solids content.

4. A process according to claim 3, in which the drying is effected to dry the product to between 50 and 65% dry solids content.

5. A process according to claim 4, in which the drying is effected to dry the product to between 55 and 60% dry solids content.

6. A process according to any previous claim, in which drying is effected in a FIFO hopper.

7. A process according to any previous claim, in which drying is effected in a cycling operation until a predetermined moisture content is detected, then the dried material is discharged.
8. A process according to any one of claims 1 to 7, in which drying product passes two or more times through a drying hopper.
9. A process according to any one the previous claims 1, in which the steps of mixing, filling, drying and discharging the product are performed within 24 hours.
10. A process according to claim 9 in which the mixing and filling is performed in less than 8 hours.
11. A process according to claim 9 or claim 10, in which the drying is performed in less than 5 hours.
12. A process according to any of claims 9 to 11, in which the discharging is performed in less than 3 hours.

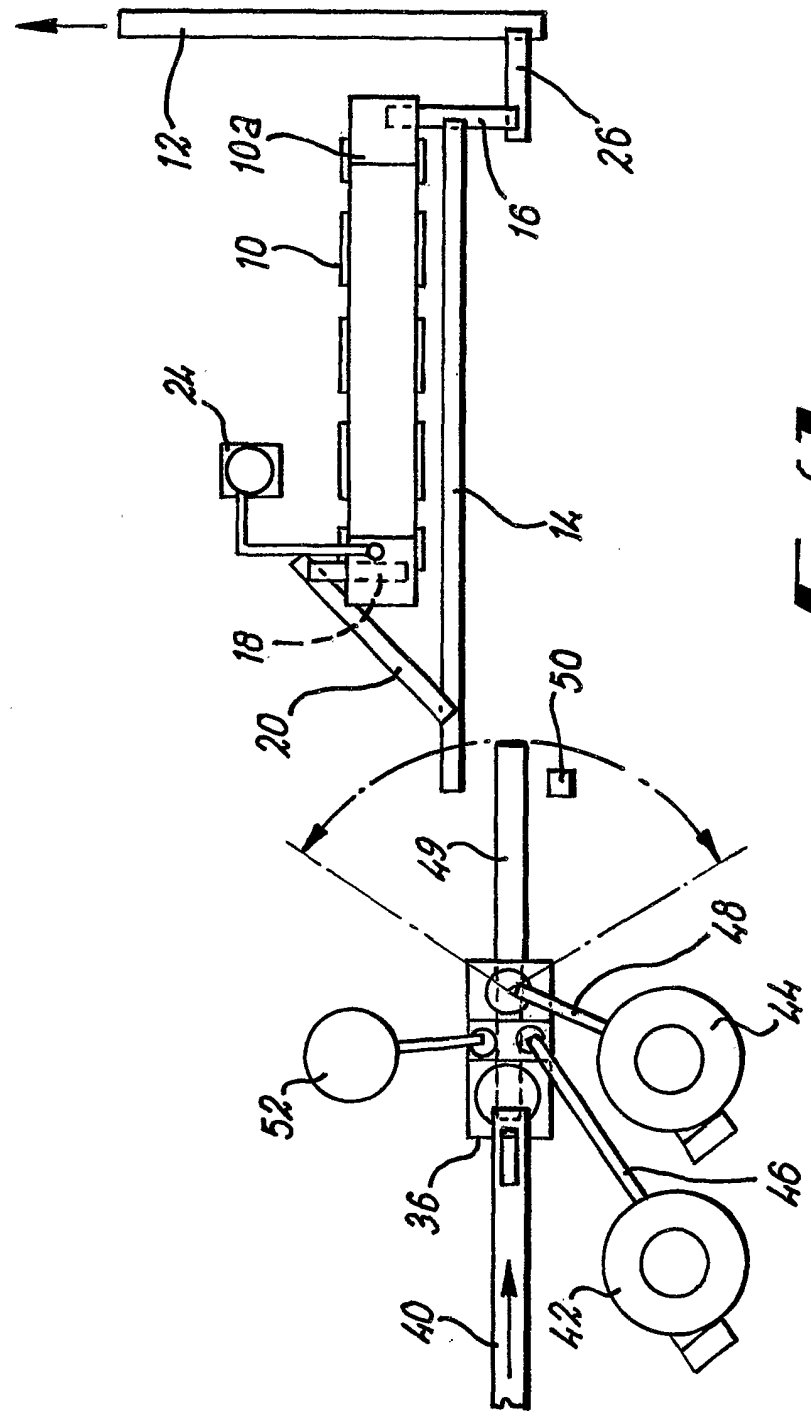


FIG. 1

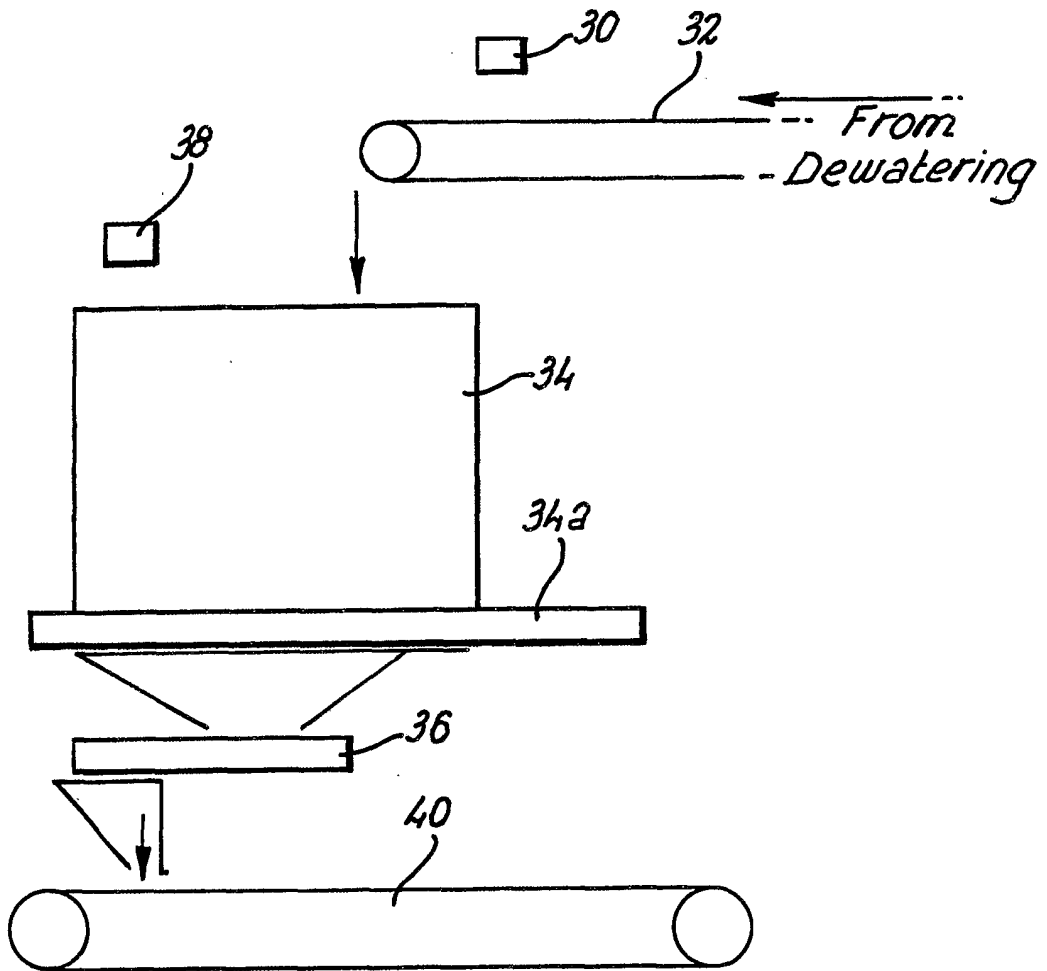


FIG. 2

INTERNATIONAL SEARCH REPORT

International Application No
PCT/GB 01/01239

A. CLASSIFICATION OF SUBJECT MATTER
IPC 7 C02F11/14 C02F11/18

According to International Patent Classification (IPC) or to both national classification and IPC

B. FIELDS SEARCHED

Minimum documentation searched (classification system followed by classification symbols)
IPC 7 C02F

Documentation searched other than minimum documentation to the extent that such documents are included in the fields searched

Electronic data base consulted during the international search (name of data base and, where practical, search terms used)

EPO-Internal

C. DOCUMENTS CONSIDERED TO BE RELEVANT

Category *	Citation of document, with indication, where appropriate, of the relevant passages	Relevant to claim No.
X	US 5 435 923 A (GIROVICH MARK) 25 July 1995 (1995-07-25)	1-5,8-12
Y	column 6, line 50-55; claims 8-13	6
Y	WO 98 29348 A (R3 MANAGEMENT LIMITED ;MILLARD ROBIN (GB)) 9 July 1998 (1998-07-09) figure 1	6
X	DE 31 28 673 A (RICHARD GUSTAV) 18 March 1982 (1982-03-18) page 17, line 1-5; claims 1,2,4,7; examples 1,2	1-5,9,10
X	US 5 013 458 A (CHRISTY ROBERT W SR ET AL) 7 May 1991 (1991-05-07) the whole document	1,2,9-12
	-/--	

Further documents are listed in the continuation of box C.

Patent family members are listed in annex.

* Special categories of cited documents :

- *A* document defining the general state of the art which is not considered to be of particular relevance
- *E* earlier document but published on or after the international filing date
- *L* document which may throw doubts on priority claim(s) or which is cited to establish the publication date of another citation or other special reason (as specified)
- *O* document referring to an oral disclosure, use, exhibition or other means
- *P* document published prior to the international filing date but later than the priority date claimed

- *T* later document published after the international filing date or priority date and not in conflict with the application but cited to understand the principle or theory underlying the invention
- *X* document of particular relevance; the claimed invention cannot be considered novel or cannot be considered to involve an inventive step when the document is taken alone
- *Y* document of particular relevance; the claimed invention cannot be considered to involve an inventive step when the document is combined with one or more other such documents, such combination being obvious to a person skilled in the art.
- *&* document member of the same patent family

Date of the actual completion of the international search

26 July 2001

Date of mailing of the international search report

03/08/2001

Name and mailing address of the ISA

European Patent Office, P.B. 5818 Patentlaan 2
NL - 2280 HV Rijswijk
Tel. (+31-70) 340-2040, Tx. 31 651 epo nl,
Fax: (+31-70) 340-3016

Authorized officer

Gruber, M

INTERNATIONAL SEARCH REPORT

Int ional Application No

PCT/GB 01/01239

C.(Continuation) DOCUMENTS CONSIDERED TO BE RELEVANT		
Category *	Citation of document, with indication, where appropriate, of the relevant passages	Relevant to claim No.
X	US 5 554 279 A (CHRISTY PAUL G) 10 September 1996 (1996-09-10) the whole document ---	1,2,9-12
X	US 5 618 442 A (CHRISTY PAUL G) 8 April 1997 (1997-04-08) the whole document ---	1,2,9-12
A	US 5 679 262 A (GIROVICH MARK ET AL) 21 October 1997 (1997-10-21) the whole document ---	
A	US 5 135 664 A (BURNHAM JEFFREY C) 4 August 1992 (1992-08-04) the whole document ---	
A	US 5 853 590 A (BURNHAM JEFFREY C) 29 December 1998 (1998-12-29) the whole document ---	
A	US 5 277 826 A (BURNS HOWARD ET AL) 11 January 1994 (1994-01-11) the whole document -----	

INTERNATIONAL SEARCH REPORT

Information on patent family members

International Application No

PCT/GB 01/01239

Patent document cited in search report		Publication date	Patent family member(s)	Publication date
US 5435923	A	25-07-1995	US 5259977 A CA 2135085 A	09-11-1993 06-05-1995
WO 9829348	A	09-07-1998	AU 5332698 A EP 0950030 A HU 0003163 A PL 334382 A SK 87899 A US 6237246 B	31-07-1998 20-10-1999 28-02-2001 28-02-2000 16-05-2000 29-05-2001
DE 3128673	A	18-03-1982	NONE	
US 5013458	A	07-05-1991	AT 109437 T AU 648788 B AU 7684291 A CA 2076375 A DE 69103262 D DE 69103262 T DK 524245 T EP 0524245 A ES 2061237 T RU 2113417 C WO 9115432 A US 5405536 A US 5433844 A US 5229011 A US 5346616 A	15-08-1994 05-05-1994 30-10-1991 07-10-1991 08-09-1994 24-11-1994 12-09-1994 27-01-1993 01-12-1994 20-06-1998 17-10-1991 11-04-1995 18-07-1995 20-07-1993 13-09-1994
US 5554279	A	10-09-1996	AU 689955 B AU 3506595 A CA 2199382 A CN 1158595 A EP 0783462 A NZ 292786 A WO 9609991 A US 5618442 A	09-04-1998 19-04-1996 04-04-1996 03-09-1997 16-07-1997 27-04-1998 04-04-1996 08-04-1997
US 5618442	A	08-04-1997	US 5554279 A AU 689955 B AU 3506595 A CA 2199382 A CN 1158595 A EP 0783462 A NZ 292786 A WO 9609991 A	10-09-1996 09-04-1998 19-04-1996 04-04-1996 03-09-1997 16-07-1997 27-04-1998 04-04-1996
US 5679262	A	21-10-1997	CA 2169388 A	14-08-1996
US 5135664	A	04-08-1992	US 5417861 A US 5275733 A	23-05-1995 04-01-1994
US 5853590	A	29-12-1998	SG 73986 A	18-07-2000
US 5277826	A	11-01-1994	NONE	