



US00D625715S

(12) **United States Design Patent**
Adams, II

(10) **Patent No.:** **US D625,715 S**

(45) **Date of Patent:** **** Oct. 19, 2010**

(54) **ELECTRONIC DEVICE HOLDER**

(76) Inventor: **Donald Eugene Adams, II**, 2858 S. Colonial St., Gilbert, AZ (US) 85295

(**) Term: **14 Years**

(21) Appl. No.: **29/348,782**

(22) Filed: **Feb. 9, 2010**

(51) **LOC (9) Cl.** **14-03**

(52) **U.S. Cl.** **D14/253**

(58) **Field of Classification Search** D14/140,
D14/142, 147-148, 218, 224, 224.1, 229,
D14/240, 250-253, 299, 434, 452, 454, 447;
D8/355, 363, 373, 380; D12/415, 425; 248/206.2-206.4,
248/220.21, 279.1, 121, 131, 157; 379/426,
379/446, 454, 455, 449; 224/571; D6/466,
D6/467; D13/107-108; 320/113

See application file for complete search history.

(56) **References Cited**

U.S. PATENT DOCUMENTS

D49,679 S *	9/1916	Standish	D14/253
4,923,154 A *	5/1990	Konkel	248/131
D323,085 S *	1/1992	Konkel	D6/466
5,187,744 A *	2/1993	Richter	379/449
D372,455 S *	8/1996	Tiefenthal et al.	D13/108
D402,666 S *	12/1998	Golder	D14/253
D407,408 S *	3/1999	Hoff	D14/253
D420,974 S *	2/2000	Minagawa	D13/108
D438,186 S *	2/2001	Rodgers et al.	D14/142
D452,236 S *	12/2001	Kohli	D14/253
D460,962 S *	7/2002	Peiker	D14/253
D464,635 S *	10/2002	Oyama et al.	D14/147
D478,073 S *	8/2003	Topinka	D14/253
D483,016 S *	12/2003	Ma et al.	D13/108
D508,916 S *	8/2005	Lee	D14/447

(Continued)

FOREIGN PATENT DOCUMENTS

WO DM/062369 * 9/2002

OTHER PUBLICATIONS

Brake/Clutch Assembly Mount Base with Standard Arm and Apple RAM-HOL-AP7U Holder (iPod Touch 2nd & 3rd Gen.), <URL: http://www.themountdepot.com/RAM_B_174_AP7U_p/ram-b-174-ap7u.htm>, retrieved from internet May 18, 2010.*

Primary Examiner—Robert M Spear
Assistant Examiner—Carla Jobe Wright

(57) **CLAIM**

I claim the ornamental design for an electronic device holder, substantially as shown and described.

DESCRIPTION

FIG. 1 is a perspective view of an electronic device holder in accordance with the present invention;

FIG. 2 is a front view thereof;

FIG. 3 is a rear view thereof;

FIG. 4 is a top view thereof;

FIG. 5 is a bottom view thereof;

FIG. 6 is a right side view thereof;

FIG. 7 is a left side view thereof;

FIG. 8 is a perspective view thereof, shown in an environment of use that includes an unclaimed electronic device;

FIG. 9 is a perspective view thereof, shown in an environment of use that includes an unclaimed electronic device;

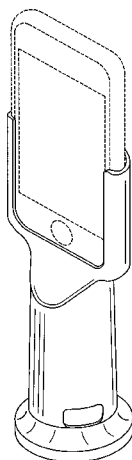
FIG. 10 is a perspective view thereof, shown in an environment of use that includes both an unclaimed electronic device and an unclaimed desktop; and,

FIG. 11 is a perspective view thereof, shown in an environment of use that includes an unclaimed human hand.

In the drawing, the broken lines depict unclaimed environment.

The electronic device shown in FIGS. 8, 9, 10, and 11 may for example correspond to an electronic device such as a cell phone, smartphone or mobile media device such as the iPhone® series of devices produced by Apple®.

1 Claim, 11 Drawing Sheets



US D625,715 S

Page 2

U.S. PATENT DOCUMENTS

D535,252 S *	1/2007	Sandnes	D13/108	D567,810 S *	4/2008	Yeh	D14/253
D558,769 S *	1/2008	Krieger et al.	D14/434	D588,579 S *	3/2009	Ross et al.	D14/217
D560,592 S *	1/2008	Brassard	D12/415	D588,903 S *	3/2009	Carnevali	D8/355
D563,693 S *	3/2008	Calleja	D6/466	D594,407 S *	6/2009	Chon et al.	D13/108
D564,959 S *	3/2008	Heine et al.	D13/107	D604,418 S *	11/2009	Jones et al.	D24/169

* cited by examiner

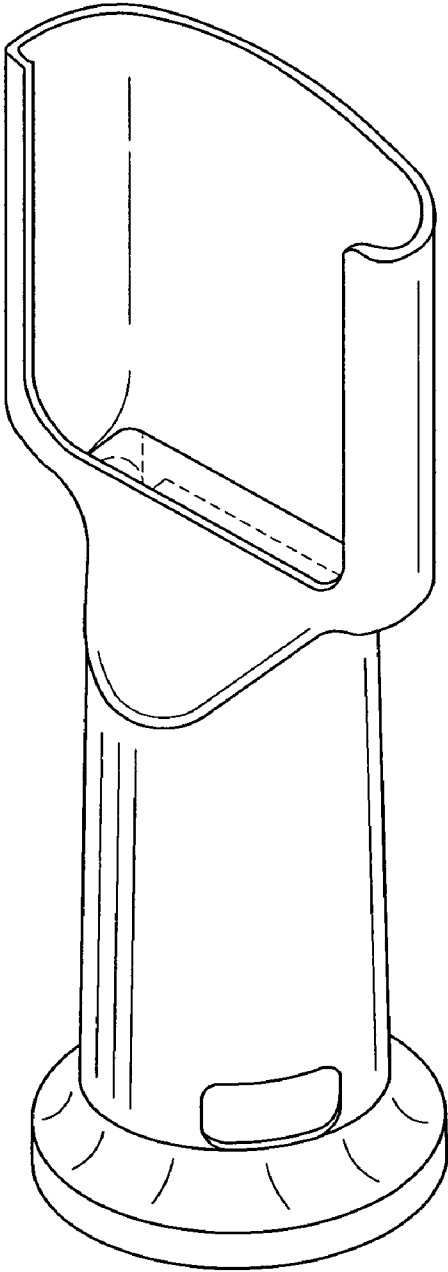


FIG. 1

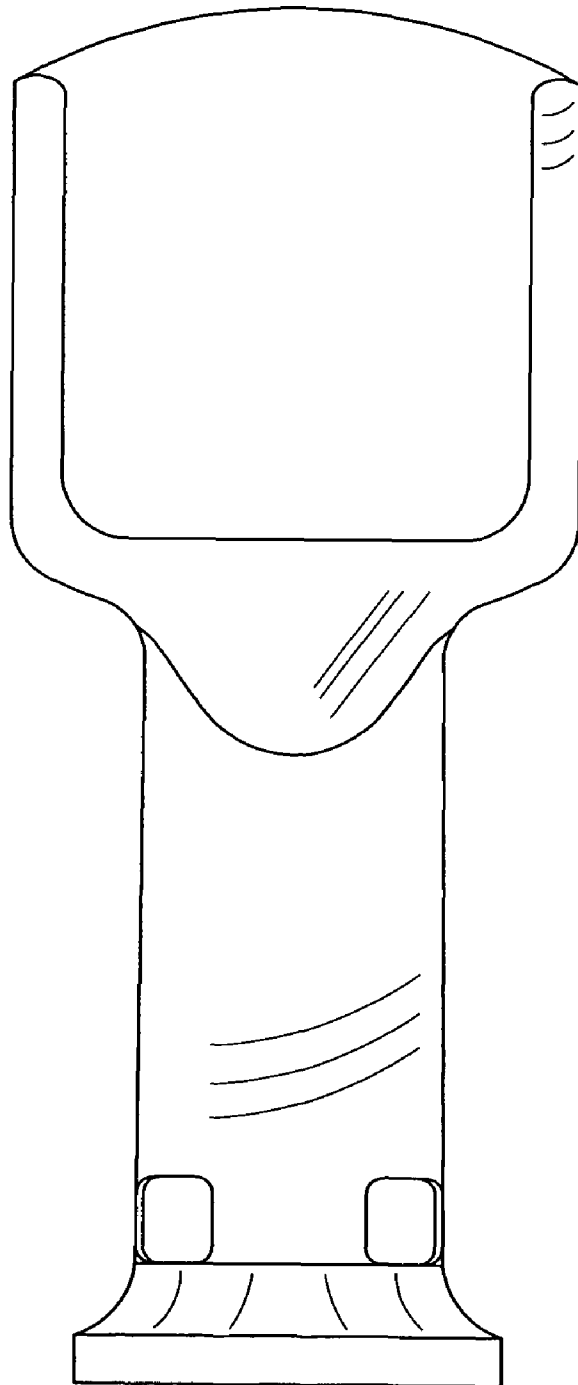


FIG. 2

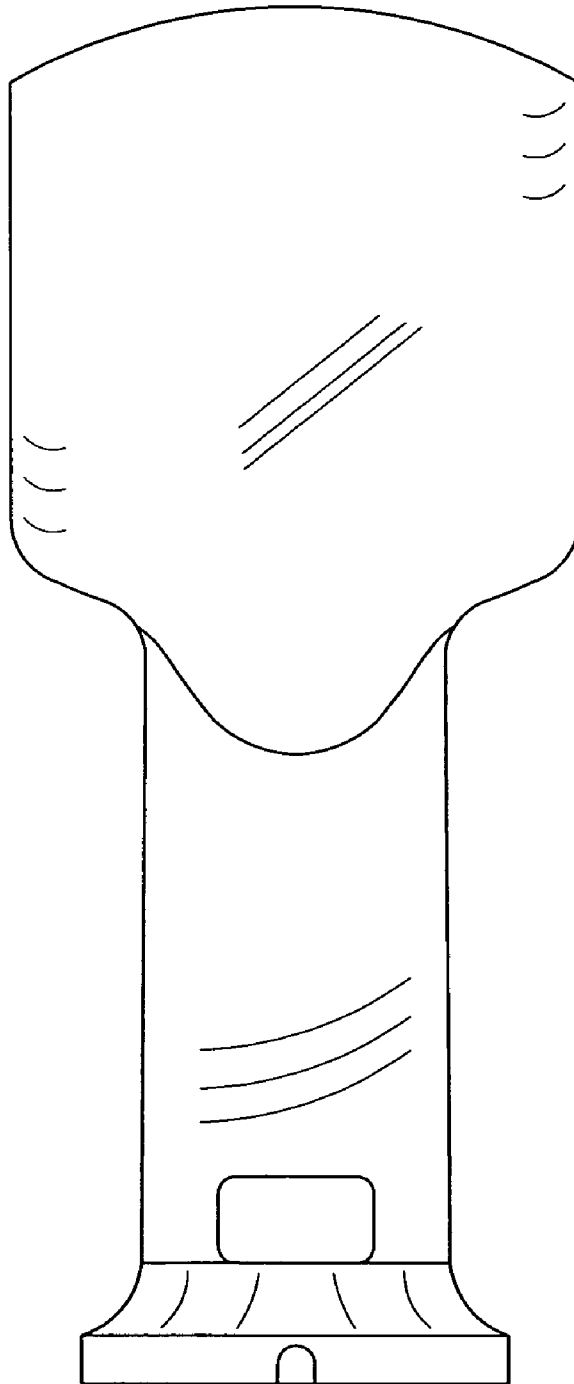


FIG. 3

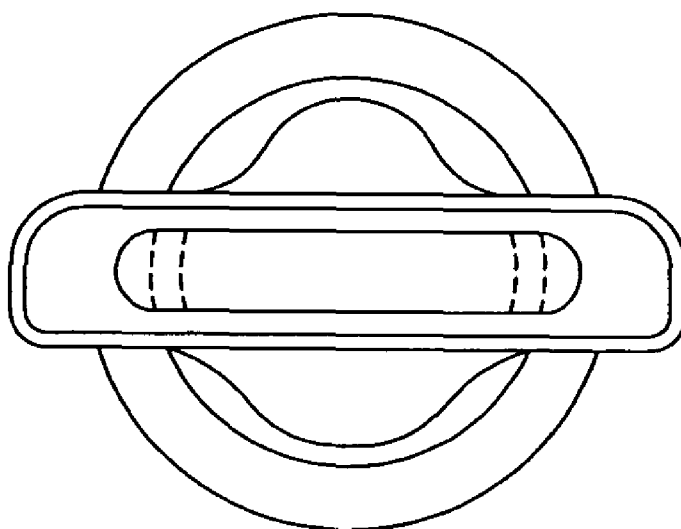


FIG. 4

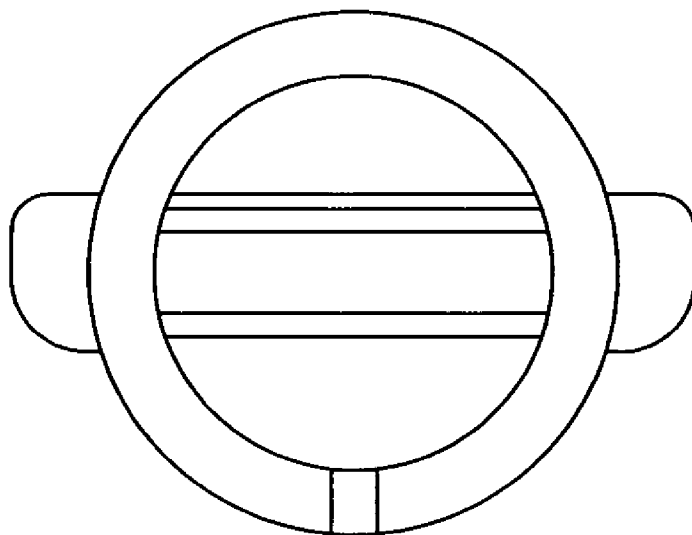


FIG. 5

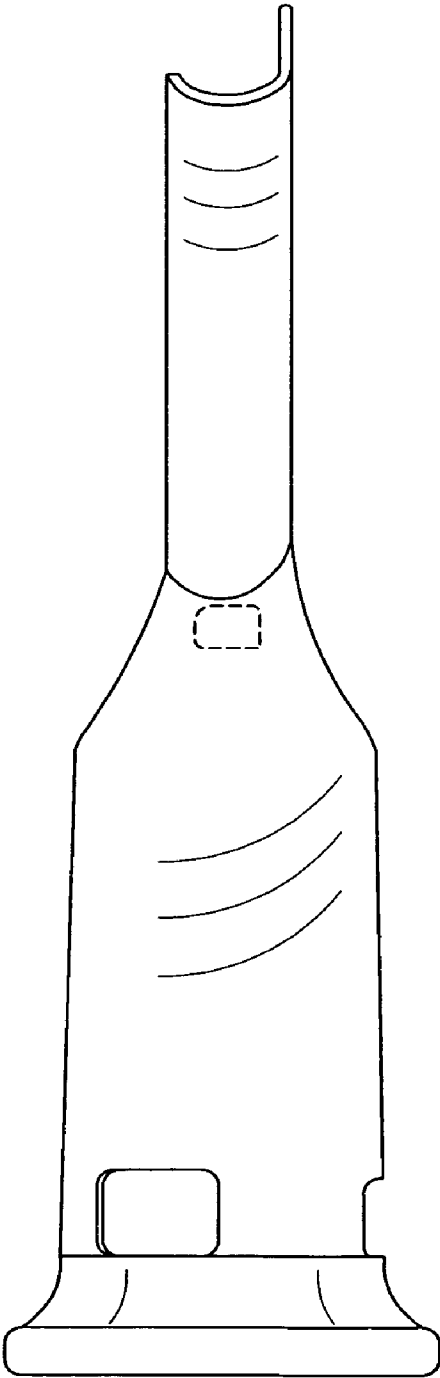


FIG. 6

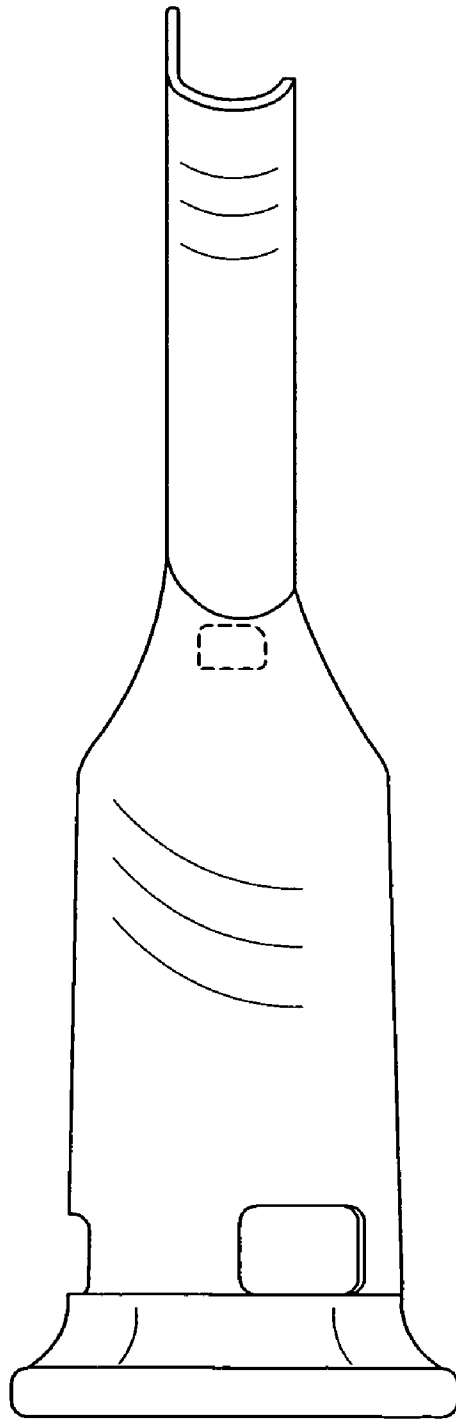


FIG. 7

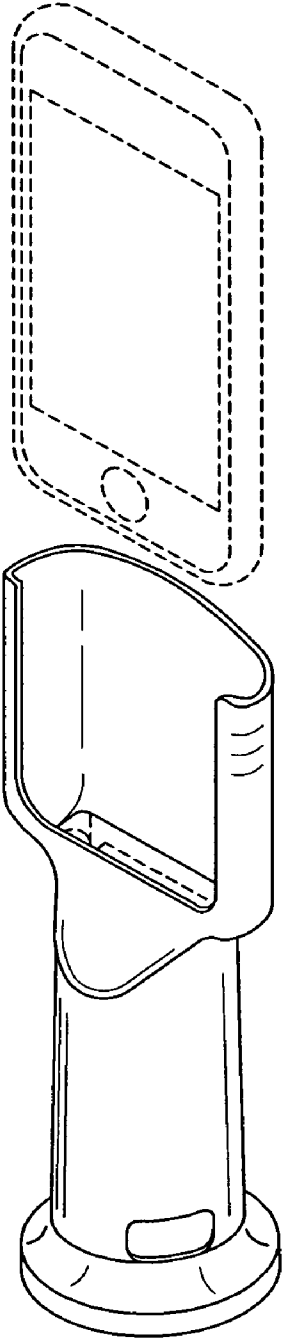


FIG. 8

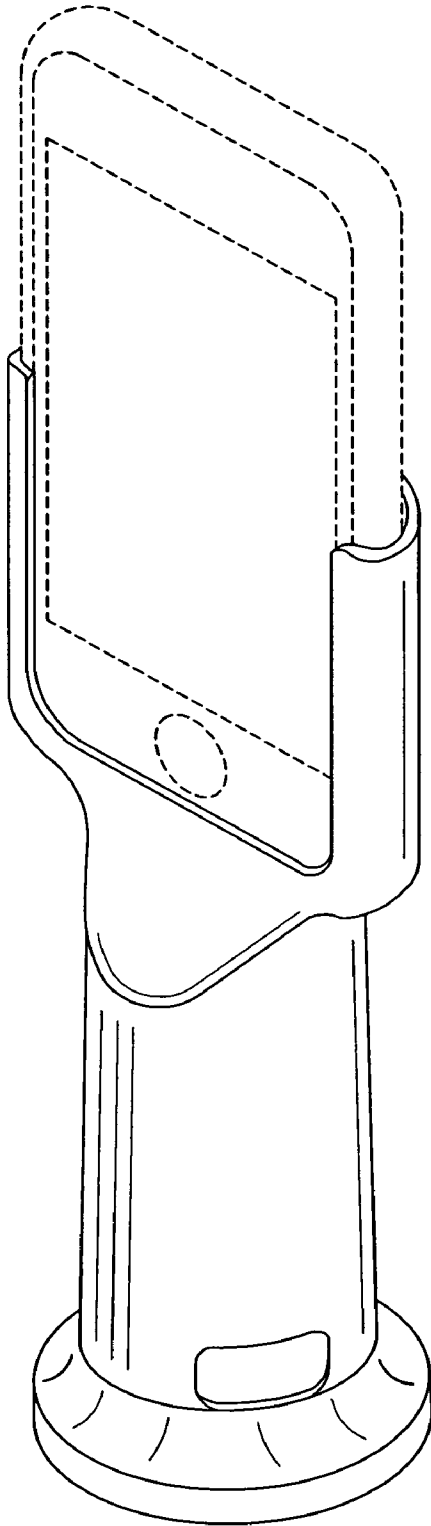


FIG. 9

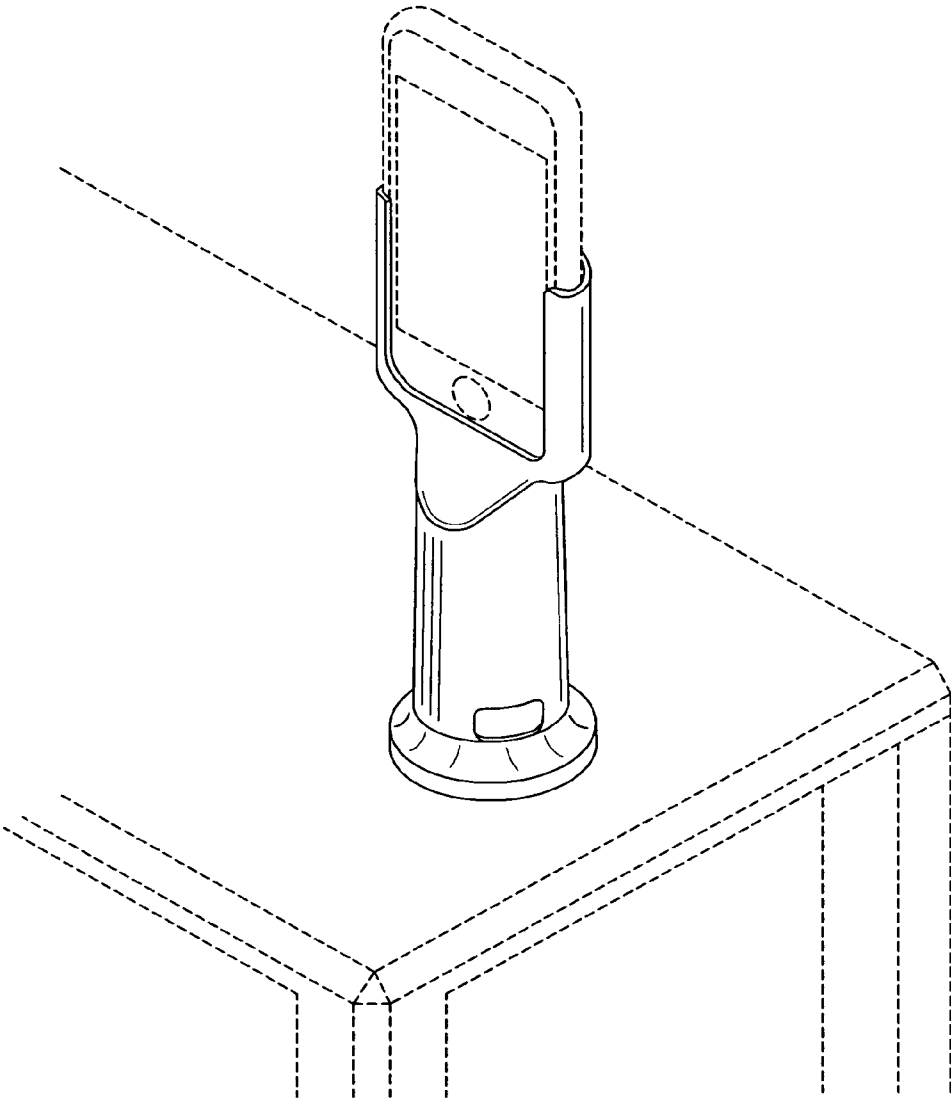


FIG. 10

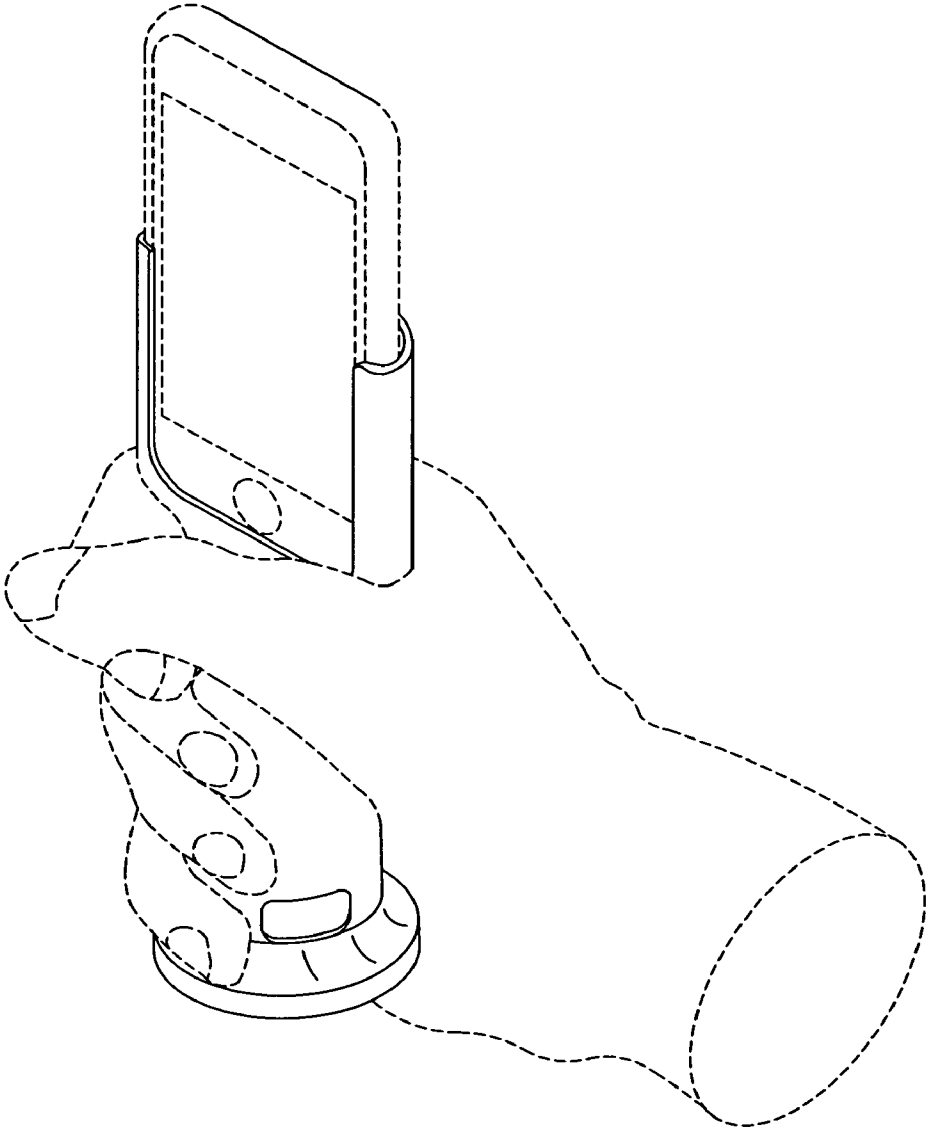


FIG. 11