



US00D744819S

(12) **United States Design Patent**  
**Dalisay et al.**

(10) **Patent No.:** **US D744,819 S**

(45) **Date of Patent:** **\*\* Dec. 8, 2015**

(54) **ARTICLE FOR BUNDLING CONTAINERS**

(71) Applicant: **The Procter & Gamble Company,**  
Cincinnati, OH (US)

(72) Inventors: **Huberto M. Dalisay,** Cincinnati, OH  
(US); **Ionut C. Cirstea,** Blauvelt, NY  
(US)

(73) Assignee: **The Procter & Gamble Company,**  
Cincinnati, OH (US)

(\*\*) Term: **14 Years**

(21) Appl. No.: **29/471,542**

(22) Filed: **Nov. 1, 2013**

(51) **LOC (10) Cl.** ..... **09-03**

(52) **U.S. Cl.**  
USPC ..... **D8/394; D9/752**

(58) **Field of Classification Search**  
USPC ..... D8/394, 396; D9/716, 719, 751-752,  
D9/517, 737-738, 747; D30/121,  
D30/129-130; D7/601-602, 615, 619.1,  
D7/630, 640  
See application file for complete search history.

(56) **References Cited**

**U.S. PATENT DOCUMENTS**

2,138,560	A	*	11/1938	Stuart	.....	220/23.83
D154,552	S	*	7/1949	Lauby	.....	D9/747
D158,396	S	*	5/1950	Libson	.....	D28/86
2,571,833	A	*	10/1951	Chidsey, Jr.	.....	206/434
3,331,500	A	*	7/1967	Poupitch	.....	206/151
3,341,005	A	*	9/1967	Poupitch	.....	206/151
D219,643	S	*	1/1971	Garbus	.....	D9/739
3,591,298	A	*	7/1971	Green	.....	401/7
3,968,914	A	*	7/1976	Goncalves	.....	
4,357,905	A	*	11/1982	Carpenter	.....	119/61.53
D306,220	S	*	2/1990	Wang	.....	D28/86
D310,027	S	*	8/1990	Bixler	.....	D9/752

D311,487	S	*	10/1990	Platt	.....	D8/396
5,180,088	A	*	1/1993	de Angeli	.....	224/544
5,191,975	A	*	3/1993	Pezzoli et al.	.....	

(Continued)

**FOREIGN PATENT DOCUMENTS**

BX	25863-012	*	9/1995		
BX	27419-001	*	1/1997		

(Continued)

**OTHER PUBLICATIONS**

AcaiBerry.com eco bottle packaging, google publish date Dec. 8, 2010, online, <http://www.acaiberry.com/company.html>, [site visited Jun. 29, 2015 2:39:05 PM].\*

(Continued)

*Primary Examiner* — John Windmuller

*Assistant Examiner* — John R Yeh

(74) *Attorney, Agent, or Firm* — Linda M. Sivik

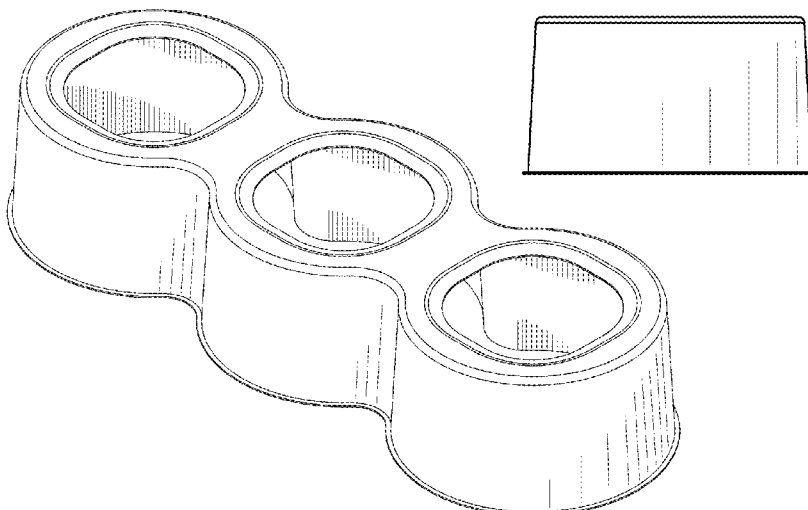
(57) **CLAIM**

The ornamental design for an article for bundling containers, as shown and described.

**DESCRIPTION**

FIG. 1 is a perspective view of an article for bundling containers, embodying our new design;  
FIG. 2 is a top view of the article for bundling containers of FIG. 1;  
FIG. 3 is a bottom view of the article for bundling containers of FIG. 1;  
FIG. 4 is a first side view of the article for bundling containers of FIG. 1, wherein the second side view of the article for bundling containers of FIG. 1 is identical; and,  
FIG. 5 is a front view of the article for bundling containers of FIG. 1, wherein the back view of the article for bundling containers of FIG. 1 is identical.  
The broken lines represent features of the article that forms no part of the claimed design.

**1 Claim, 3 Drawing Sheets**



(56)

References Cited

U.S. PATENT DOCUMENTS

D342,023 S \* 12/1993 Bonkowski ..... D9/752  
 D353,232 S \* 12/1994 Chrisco ..... D30/130  
 6,039,181 A \* 3/2000 Whiteside ..... 206/428  
 D502,406 S \* 3/2005 Eddings ..... D9/752  
 D504,197 S \* 4/2005 Huthmaker et al. .... D30/129  
     H2203 H \* 10/2007 Borhardt et al. .... D8/396  
 D618,861 S \* 6/2010 Bahnean et al. .... D30/133  
 8,297,438 B2 \* 10/2012 Crossman ..... 206/174  
 D717,006 S \* 11/2014 Alfonso ..... D30/129  
 D722,891 S \* 2/2015 Borg et al. .... D9/752  
 2005/0045641 A1 \* 3/2005 Doran ..... 220/507  
 2005/0139500 A1 \* 6/2005 Smithers ..... 206/427  
 2009/0101662 A1 \* 4/2009 Marco et al. .... 220/737  
 2010/0243511 A1 \* 9/2010 Nicholls ..... 206/545  
 2014/0311943 A1 \* 10/2014 Snyder et al. .... 206/558

FOREIGN PATENT DOCUMENTS

CN           3670544     \* 7/2007  
 EP           1512634     3/2005

FR           2743054     7/1997  
 GB           3001453     \* 3/2002  
 JP           D1061476     \* 2/2000  
 JP           2009120231   6/2009  
 WO           WO9524345     9/1995

OTHER PUBLICATIONS

Can Carrier—Dylan Macnab Portfolio, upload May 2013, online,  
<http://cargocollective.com/dylanmacnab/CAN-CARRIER>, [site visited Jun. 29, 2015 6:25:33 PM].\*

Howies Hockey Water Bottle Carrier, website copyright 2013,  
 online, <http://howieshockeytape.com/store/hockey-team-water-bottles/Hockey-Water-Bottle-Carriers>, [site visited Jun. 29, 2015 6:35:14 PM].\*

\* cited by examiner

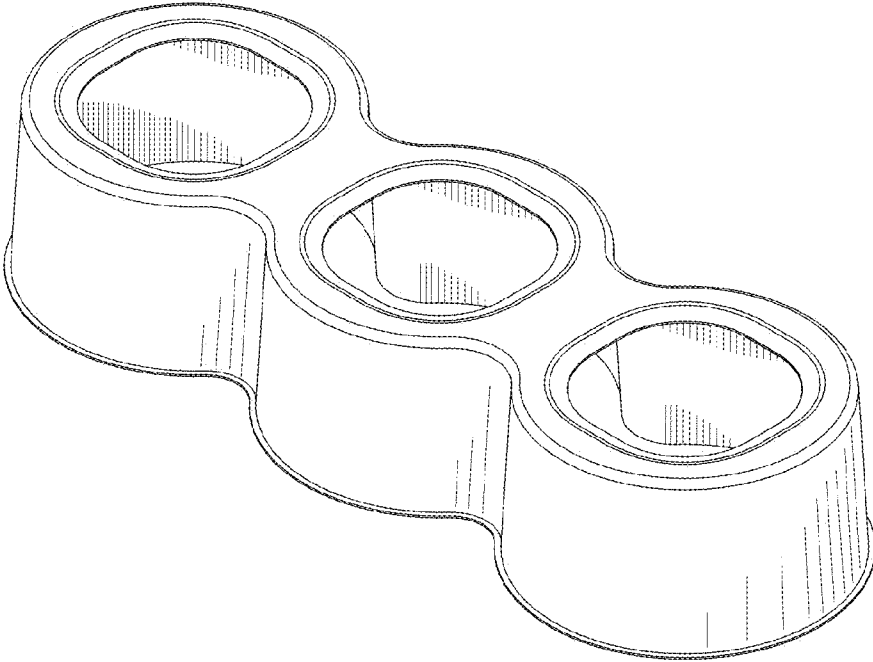


Fig. 1

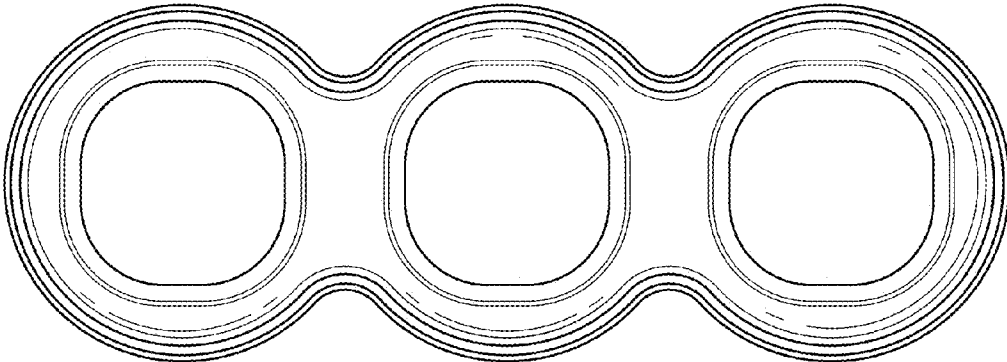


Fig. 2

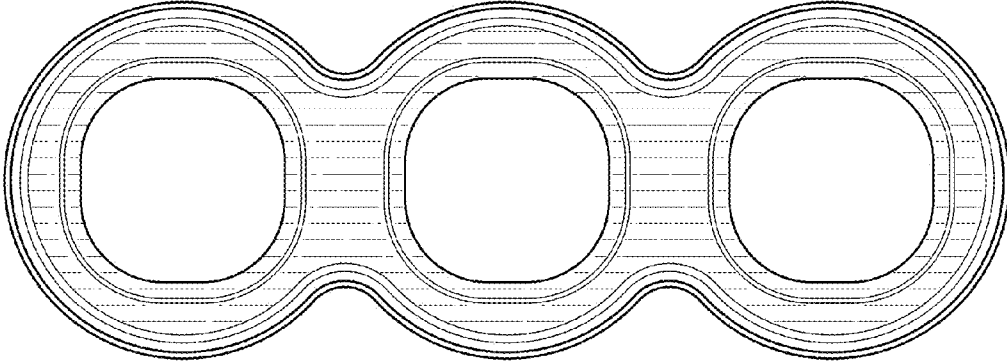


Fig. 3

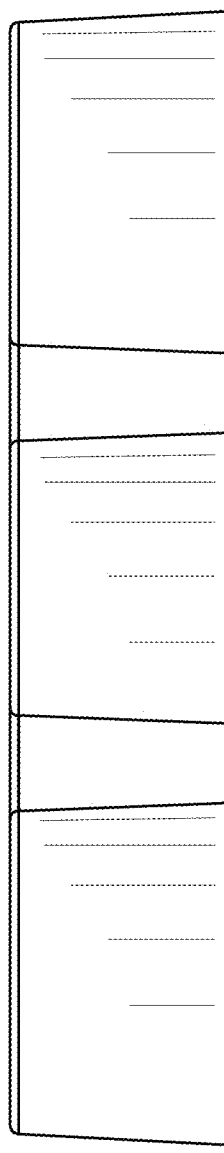


Fig. 4

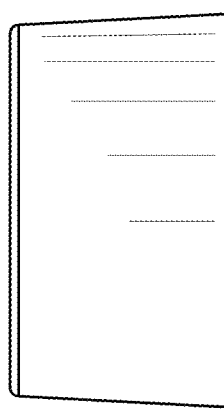


Fig. 5