



(51) International Patent Classification:

H01R 13/6585 (2011.01) H01R 12/71 (2011.01)
H01R 24/60 (2011.01) H01R 13/6594 (2011.01)
H01R 13/504 (2006.01)

(21) International Application Number:

PCT/US2015/025661

(22) International Filing Date:

14 April 2015 (14.04.2015)

(25) Filing Language:

English

(26) Publication Language:

English

(30) Priority Data:

61/979,469	14 April 2014 (14.04.2014)	US
62/001,060	21 May 2014 (21.05.2014)	US
62/129,826	7 March 2015 (07.03.2015)	US
14/683,134	9 April 2015 (09.04.2015)	US

(71) Applicant: **APPLE INC.** [US/US]; 1 Infinite Loop, M/S 169-3IPL, Cupertino, California 95014 (US).

(72) Inventors: **TZIVISKOS, George**; 1 Infinite Loop, M/S 306-4PD, Cupertino, California 95014 (US). **LEE, Jae Hwang**; 1 Infinite Loop, M/S 306-4PD, Cupertino, Cali-

fornia 95014 (US). **AMINI, Mahmoud R.**; 1 Infinite Loop, M/S 306-4PD, Cupertino, California 95014 (US). **HACK, Paul J.**; 1 Infinite Loop, M/S 306-4PD, Cupertino, California 95014 (US). **GAO, Zheng**; 1 Infinite Loop, M/S 306-4PD, Cupertino, California 95014 (US). **ZHOU, Rui**; 1 Infinite Loop, M/S 87-2PD, Cupertino, California 95014 (US).

(74) Agents: **ZIGMANT, J. Matthew** et al.; Kilpatrick Townsend & Stockton LLP, Eighth Floor, Two Embarcadero Center, San Francisco, California 94111 (US).

(81) Designated States (unless otherwise indicated, for every kind of national protection available): AE, AG, AL, AM, AO, AT, AU, AZ, BA, BB, BG, BH, BN, BR, BW, BY, BZ, CA, CH, CL, CN, CO, CR, CU, CZ, DE, DK, DM, DO, DZ, EC, EE, EG, ES, FI, GB, GD, GE, GH, GM, GT, HN, HR, HU, ID, IL, IN, IR, IS, JP, KE, KG, KN, KP, KR, KZ, LA, LC, LK, LR, LS, LU, LY, MA, MD, ME, MG, MK, MN, MW, MX, MY, MZ, NA, NG, NI, NO, NZ, OM, PA, PE, PG, PH, PL, PT, QA, RO, RS, RU, RW, SA, SC, SD, SE, SG, SK, SL, SM, ST, SV, SY, TH, TJ, TM, TN, TR, TT, TZ, UA, UG, US, UZ, VC, VN, ZA, ZM, ZW.

[Continued on next page]

(54) Title: DURABLE CONNECTOR RECEPTACLES

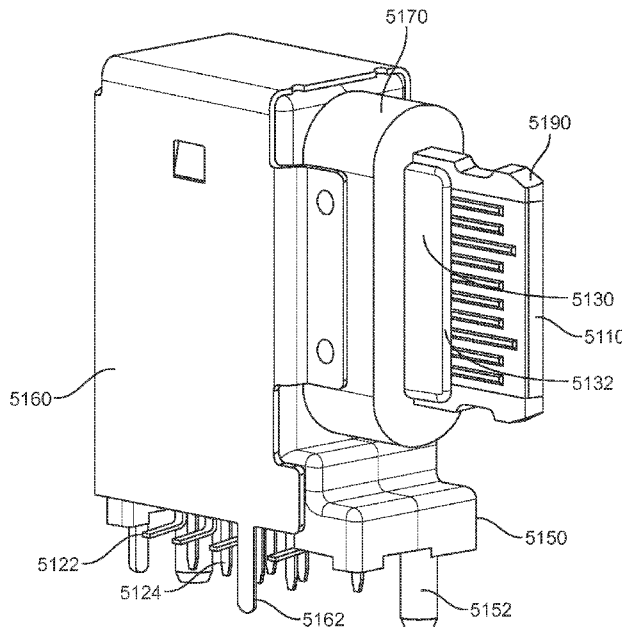


FIG. 51

(57) Abstract: Connector receptacles that are able to withstand insertion and other forces, are reliable, and are easy to manufacture. In various examples, the connector receptacle tongue or other portions may be reinforced such that they may withstand the insertion forces exerted through a connector insert.



(84) Designated States (*unless otherwise indicated, for every kind of regional protection available*): ARIPO (BW, GH, GM, KE, LR, LS, MW, MZ, NA, RW, SD, SL, ST, SZ, TZ, UG, ZM, ZW), Eurasian (AM, AZ, BY, KG, KZ, RU, TJ, TM), European (AL, AT, BE, BG, CH, CY, CZ, DE, DK, EE, ES, FI, FR, GB, GR, HR, HU, IE, IS, IT, LT, LU, LV, MC, MK, MT, NL, NO, PL, PT, RO, RS, SE, SI, SK, SM, TR), OAPI (BF, BJ, CF, CG, CI, CM, GA, GN, GQ, GW, KM, ML, MR, NE, SN, TD, TG).

Published:

- *with international search report (Art. 21(3))*
- *before the expiration of the time limit for amending the claims and to be republished in the event of receipt of amendments (Rule 48.2(h))*

(88) Date of publication of the international search report:

28 January 2016

INTERNATIONAL SEARCH REPORT

International application No
PCT/US2015/025661

A. CLASSIFICATION OF SUBJECT MATTER
 INV. H01R13/6585
 ADD. H01R24/60 H01R13/504 H01R12/71 H01R13/6594

According to International Patent Classification (IPC) or to both national classification and IPC

B. FIELDS SEARCHED

Minimum documentation searched (classification system followed by classification symbols)
 H01R

Documentation searched other than minimum documentation to the extent that such documents are included in the fields searched

Electronic data base consulted during the international search (name of data base and, where practicable, search terms used)
 EPO-Internal, WPI Data

C. DOCUMENTS CONSIDERED TO BE RELEVANT

Category*	Citation of document, with indication, where appropriate, of the relevant passages	Relevant to claim No.
X	US 2014/099835 A1 (CHANG MING-YOUNG [TW]) 10 April 2014 (2014-04-10) paragraphs [0025] - [0034]; figures 1-4 -----	1,4-6
X	US 2011/195606 A1 (HSIA CHUN-HUA [TW]) 11 August 2011 (2011-08-11) paragraphs [0024] - [0032]; figures 1-5 -----	1,6
X	US 2009/163071 A1 (CHEN WAN-TIEN [TW]) 25 June 2009 (2009-06-25) paragraphs [0015] - [0023]; figures 1-5 -----	1-4,6
Y	US 2014/073184 A1 (ZHAO JUN [CN] ET AL) 13 March 2014 (2014-03-13) paragraphs [0015] - [0020]; figures 1-5 -----	5
X	US 2014/073184 A1 (ZHAO JUN [CN] ET AL) 13 March 2014 (2014-03-13) paragraphs [0015] - [0020]; figures 1-5 -----	7-12
	-/--	

Further documents are listed in the continuation of Box C. See patent family annex.

* Special categories of cited documents :

"A" document defining the general state of the art which is not considered to be of particular relevance	"T" later document published after the international filing date or priority date and not in conflict with the application but cited to understand the principle or theory underlying the invention
"E" earlier application or patent but published on or after the international filing date	"X" document of particular relevance; the claimed invention cannot be considered novel or cannot be considered to involve an inventive step when the document is taken alone
"L" document which may throw doubts on priority claim(s) or which is cited to establish the publication date of another citation or other special reason (as specified)	"Y" document of particular relevance; the claimed invention cannot be considered to involve an inventive step when the document is combined with one or more other such documents, such combination being obvious to a person skilled in the art
"O" document referring to an oral disclosure, use, exhibition or other means	"&" document member of the same patent family
"P" document published prior to the international filing date but later than the priority date claimed	

Date of the actual completion of the international search 8 December 2015	Date of mailing of the international search report 16/12/2015
---	---

Name and mailing address of the ISA/ European Patent Office, P.B. 5818 Patentlaan 2 NL - 2280 HV Rijswijk Tel. (+31-70) 340-2040, Fax: (+31-70) 340-3016	Authorized officer Georgiadis, Ioannis
--	--

INTERNATIONAL SEARCH REPORT

International application No
PCT/US2015/025661

C(Continuation). DOCUMENTS CONSIDERED TO BE RELEVANT		
Category*	Citation of document, with indication, where appropriate, of the relevant passages	Relevant to claim No.
X	US 2013/330976 A1 (SIMMEL GEORGE MARC [US] ET AL) 12 December 2013 (2013-12-12) paragraphs [0006], [0050] - [0058]; figures 1-12 -----	7,8,13
X	CN 201 285 872 Y (FOXCONN KUNSHAN COMP CONNECTOR [CN]) 5 August 2009 (2009-08-05) abstract; figures 1-7 -----	18-23
Y	EP 2 590 273 A2 (APPLE INC [US]) 8 May 2013 (2013-05-08) abstract; figures 30A-30P -----	5
A	US 5 267 868 A (WOLFF JR RICHARD H [TW]) 7 December 1993 (1993-12-07) abstract; figures 1-15 -----	1-23
A	US 2009/190277 A1 (HIEW SIEW S [US] ET AL) 30 July 2009 (2009-07-30) abstract; figures 1-14 -----	1-23

INTERNATIONAL SEARCH REPORT

Information on patent family members

International application No
PCT/US2015/025661

Patent document cited in search report	Publication date	Patent family member(s)	Publication date
US 2014099835	A1	10-04-2014	CN 103633475 A
			CN 203481471 U
			TW M458691 U
			US 2014099835 A1

US 2011195606	A1	11-08-2011	TW M382617 U
			US 2011195606 A1
			US 2012252281 A1

US 2009163071	A1	25-06-2009	TW M330651 U
			US 2009163071 A1

US 2014073184	A1	13-03-2014	CN 202856004 U
			US 2014073184 A1

US 2013330976	A1	12-12-2013	US 2013330976 A1
			US 2015214674 A1

CN 201285872	Y	05-08-2009	NONE

EP 2590273	A2	08-05-2013	AU 2012101658 A4
			AU 2012245184 A1
			AU 2014213570 A1
			CA 2794906 A1
			CA 2884348 A1
			CN 103124011 A
			CN 103700966 A
			CN 103730747 A
			CN 203103583 U
			CN 203415724 U
			DE 102012220231 A1
			DE 202012010672 U1
			DE 202012010673 U1
			EP 2590273 A2
			EP 2706625 A1
			GB 2496738 A
			GB 2508103 A
			JP 5788608 B2
			JP 2015502634 A
			KR 20130050269 A
			KR 20140063549 A
			SG 11201401615S A
			TW 201342712 A
			US 2013115821 A1
			US 2013122754 A1
			US 2013149911 A1
			US 2013244492 A1
			US 2014170907 A1
			WO 2013070767 A1

US 5267868	A	07-12-1993	DE 69300477 D1
			DE 69300477 T2
			EP 0590544 A1
			FI 934272 A
			JP 2539197 Y2
			JP H0636252 U
			US 5267868 A

INTERNATIONAL SEARCH REPORT

Information on patent family members

International application No

PCT/US2015/025661

Patent document cited in search report	Publication date	Patent family member(s)	Publication date
US 2009190277	A1	NONE	30-07-2009