



US00D993189S

(12) **United States Design Patent**
Malczok

(10) **Patent No.:** **US D993,189 S**

(45) **Date of Patent:** **** Jul. 25, 2023**

(54) **PLUG-IN DEVICE**

(71) Applicant: **AMAD Mennekes Holding GmbH & Co KG, Kirchhundem (DE)**

(72) Inventor: **Jannik Malczok, Siegen (DE)**

(73) Assignee: **AMAD MENNEKES HOLDING GMBH & CO. KG, Kirchhundem (DE)**

(**) Term: **15 Years**

(21) Appl. No.: **29/764,503**

(22) Filed: **Dec. 30, 2020**

Related U.S. Application Data

(62) Division of application No. 29/633,664, filed on Jan. 15, 2018, now Pat. No. Des. 916,029.

Foreign Application Priority Data

Jul. 18, 2017 (EM) 004109668

(51) **LOC (14) Cl.** **13-03**

(52) **U.S. Cl.**
USPC **D13/146**

(58) **Field of Classification Search**
USPC D13/133, 146, 147, 139.1, 144
CPC H01R 13/447
See application file for complete search history.

(56) **References Cited**

U.S. PATENT DOCUMENTS

5,080,601 A *	1/1992	Mennekes	H01R 13/5221	439/271
D615,496 S *	5/2010	Mennekes	D13/133	
D722,970 S *	2/2015	Smith	D13/147	
D770,384 S *	11/2016	Zetterqvist	D13/133	
D817,888 S *	5/2018	Yu	D13/139.1	
D829,665 S *	10/2018	Zhu	D13/144	
D838,672 S *	1/2019	Spielvogel	D13/146	
D896,182 S *	9/2020	Corona	D13/133	

* cited by examiner

Primary Examiner — Jennifer O King

(74) *Attorney, Agent, or Firm* — Henry M. Feiereisen LLC

(57) **CLAIM**

The ornamental design for a plug-in device, as shown and described.

DESCRIPTION

FIG. 1 is a rear elevational view of a plug-in device showing my new design;
FIG. 2 is a front elevational view thereof;
FIG. 3 is an elevational view of the right side thereof, with the left side being a mirror image thereof;
FIG. 4 is a top elevational view thereof; and,
FIG. 5 is a bottom elevational view thereof.

1 Claim, 3 Drawing Sheets

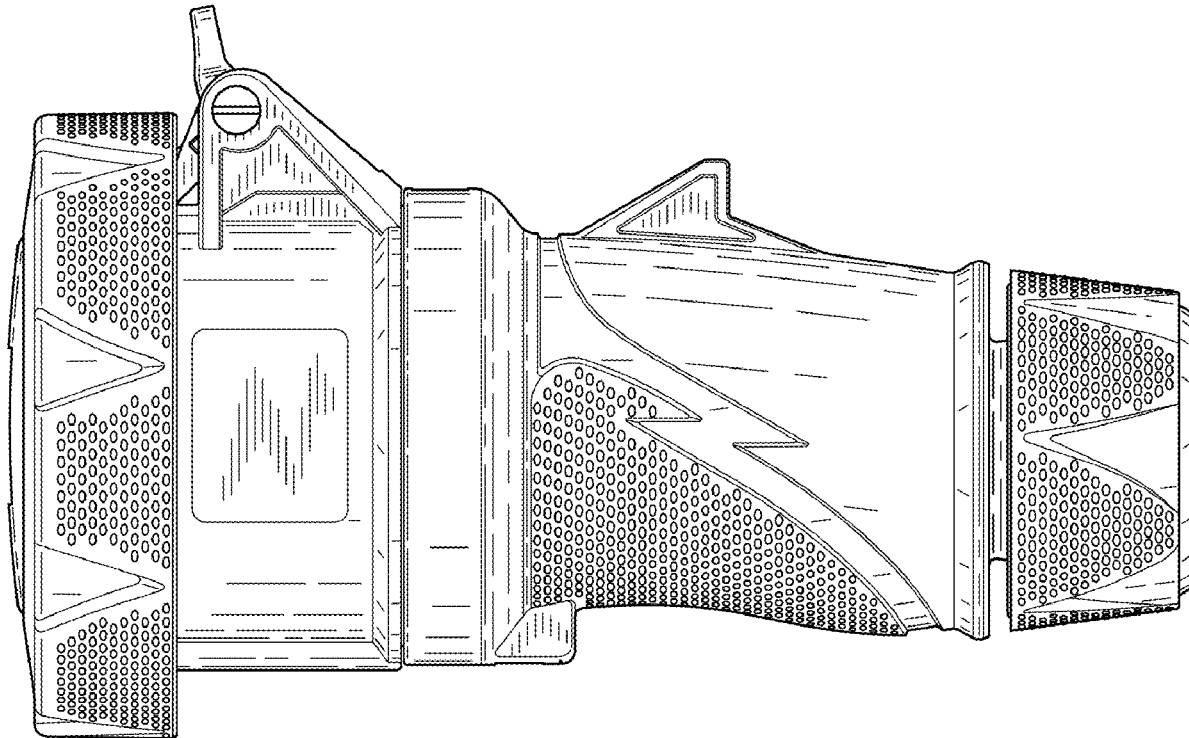


FIG. 1

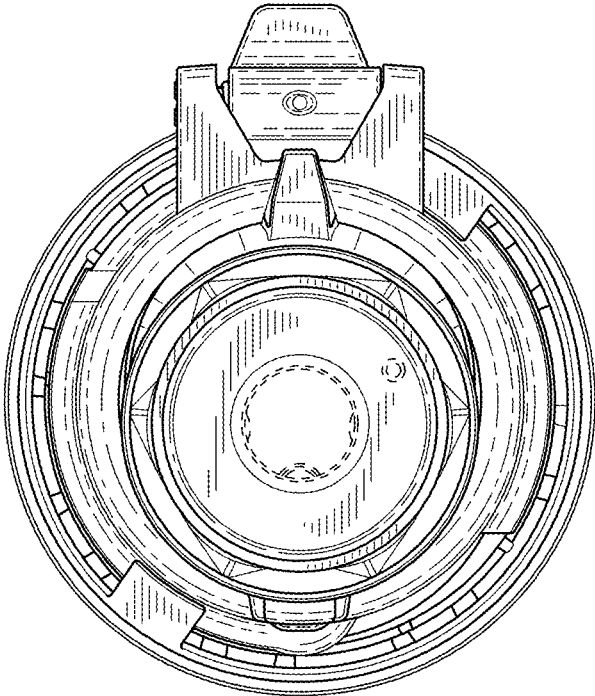


FIG. 2

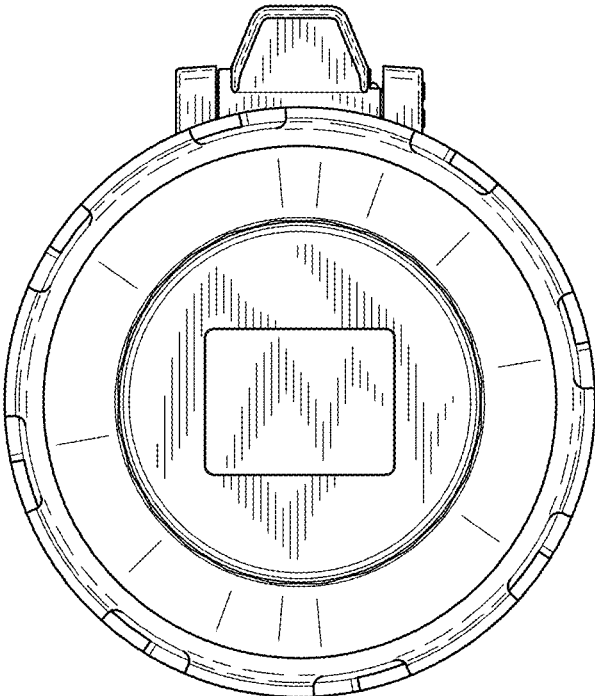


FIG. 3

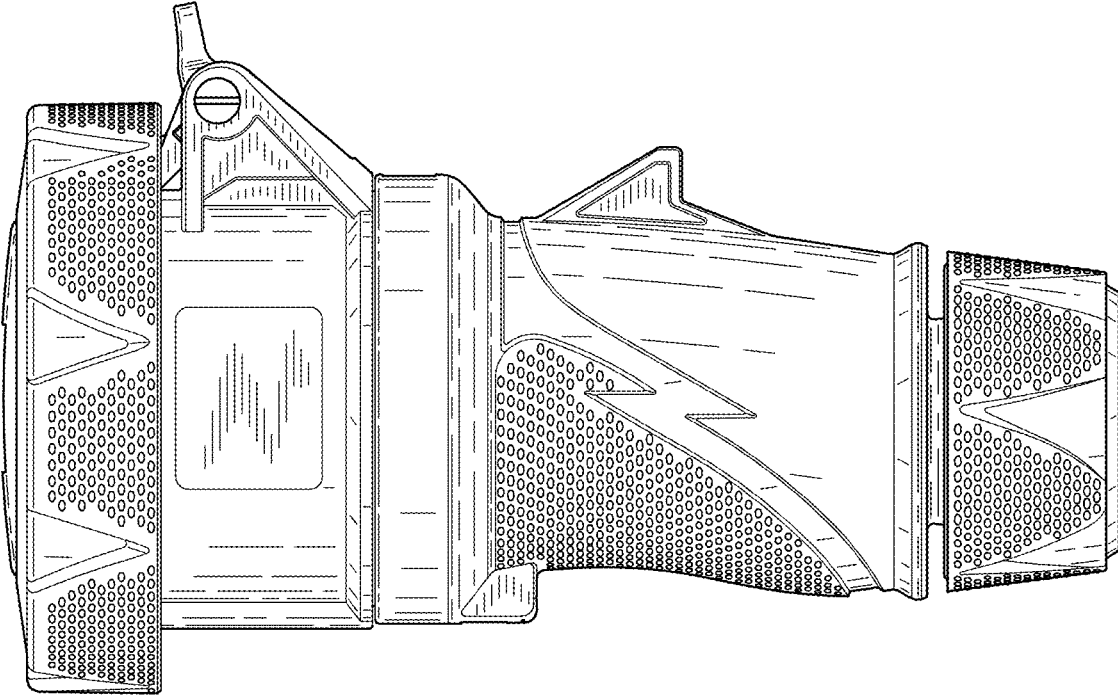


FIG. 4

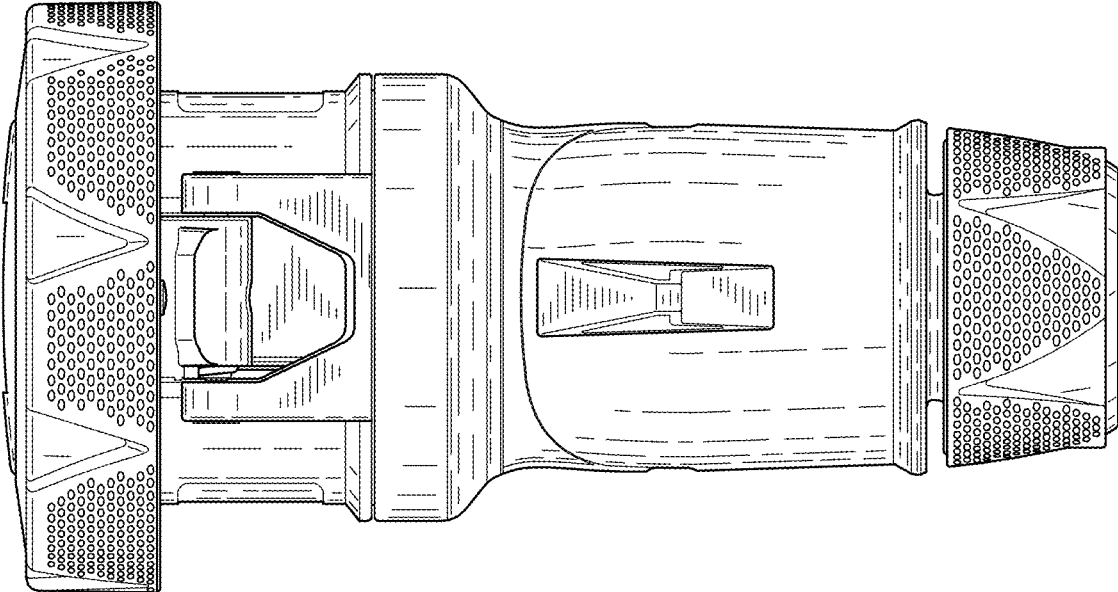


FIG. 5

