



(12) **United States Design Patent**  
**Lockenwitz**

(10) **Patent No.:** **US D874,399 S**  
(45) **Date of Patent:** **\*\* Feb. 4, 2020**

- (54) **CHARGING BASE STATION**
- (71) Applicant: **OTICON MEDICAL A/S, Smørum (DK)**
- (72) Inventor: **Christian Lockenwitz, København (DK)**
- (73) Assignee: **OTICON MEDICAL A/S, Smørum (DK)**
- (\*\*) Term: **15 Years**
- (21) Appl. No.: **29/627,254**
- (22) Filed: **Nov. 24, 2017**

D575,289	S	*	8/2008	Kuo	.....	D14/434
D608,277	S	*	1/2010	Cano	.....	D13/108
D609,636	S	*	2/2010	Jensen	.....	D13/108
D627,718	S	*	11/2010	Houghton	.....	D13/108
D682,200	S	*	5/2013	Rautiainen	.....	D13/108
D691,086	S	*	10/2013	Custon	.....	D13/108
D694,182	S	*	11/2013	Lee	.....	D13/108
D717,244	S	*	11/2014	Reishus	.....	D13/108
D718,234	S	*	11/2014	Rautiainen	.....	D13/108
D718,236	S	*	11/2014	Murray	.....	D13/108
D735,133	S	*	7/2015	Reishus	.....	D13/108
D740,750	S	*	10/2015	Mayden	.....	D13/108
D749,504	S	*	2/2016	Jeong	.....	D13/108
D772,813	S	*	11/2016	Wahl	.....	D13/108
D784,259	S	*	4/2017	Huang	.....	D13/108
D794,557	S	*	8/2017	Kim	.....	D13/108
D795,182	S	*	8/2017	Akana	.....	D13/108
D797,042	S	*	9/2017	Miller	.....	D13/107
D810,015	S	*	2/2018	Carreon	.....	D13/108
D821,307	S	*	6/2018	Calachan	.....	D13/107

(30) **Foreign Application Priority Data**

May 24, 2017 (EM) ..... 004016616-0001  
 May 24, 2017 (EM) ..... 004016616-0002

- (51) **LOC (12) Cl.** ..... **13-02**
- (52) **U.S. Cl.**  
USPC ..... **D13/108**

- (58) **Field of Classification Search**  
USPC ..... D13/107-110, 118-119, 184, 199;  
D14/251, 253, 432, 434  
CPC ..... Y02E 60/12; Y02T 90/14; Y02T 90/122;  
Y02T 90/128; Y02T 90/163; H02J 7/025;  
H02J 7/0042; H02J 7/0044; H02J 7/0045;  
H02J 7/0003; H01F 38/14; H01R  
13/6675; H01M 2/1022; H01M 2/1055;  
H01M 10/44; H01M 10/46; H01M  
10/425; B60L 11/182  
See application file for complete search history.

(56) **References Cited**

**U.S. PATENT DOCUMENTS**

D521,927	S	*	5/2006	Franck	.....	D13/108
D526,973	S	*	8/2006	Gates	.....	D13/168
D537,409	S	*	2/2007	Suzuki	.....	D13/108

\* cited by examiner

*Primary Examiner* — Rosemary K Tarcza  
 (74) *Attorney, Agent, or Firm* — Birch, Stewart, Kolasch & Birch, LLP

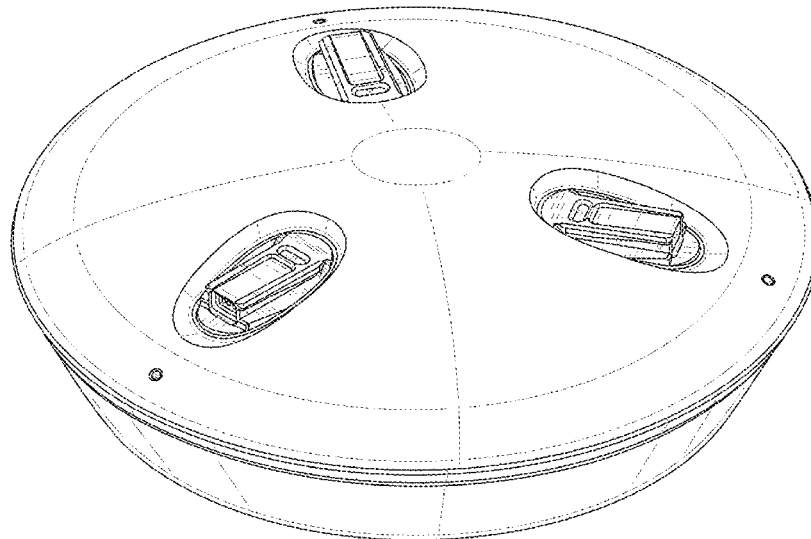
(57) **CLAIM**

The ornamental design for a charging base station, as shown and described.

**DESCRIPTION**

FIG. 1 is a perspective view of the charging base station; FIG. 2 is a front view of the charging base station; FIG. 3 is a top view of the charging base station; FIG. 4 is a rear view of the charging base station; FIG. 5 is a bottom view of the charging base station; FIG. 6 is a left side of the charging base station; and, FIG. 7 is a right side view of the charging base station. The broken lines shown in the drawings are included for the purpose of illustrating portions of the charging base station that form no part of the claimed design.

**1 Claim, 7 Drawing Sheets**



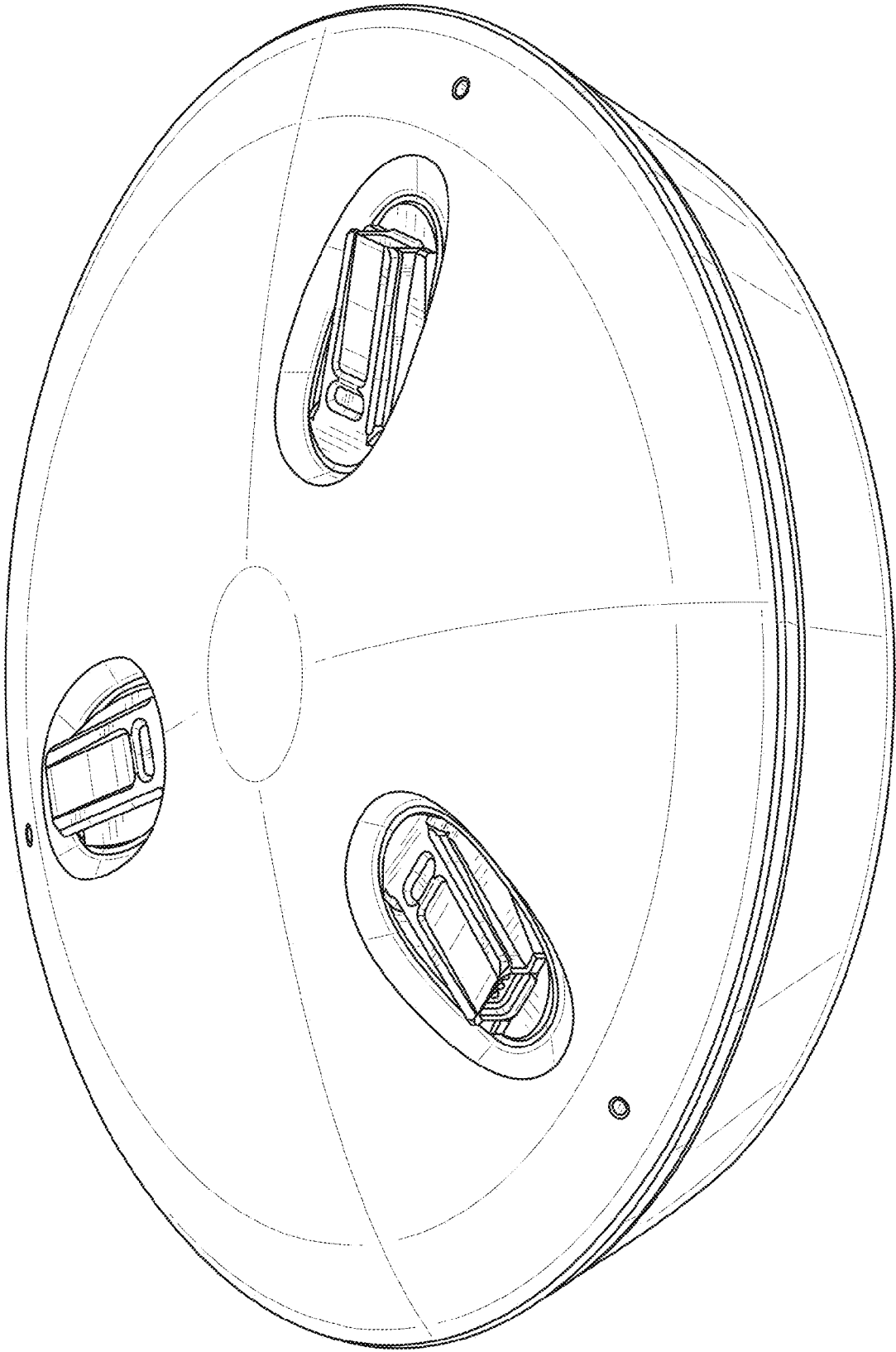


FIG. 1

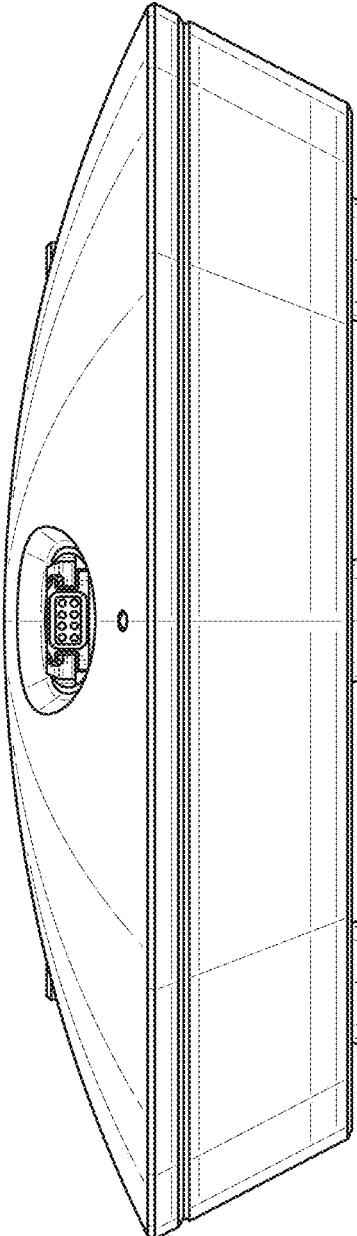
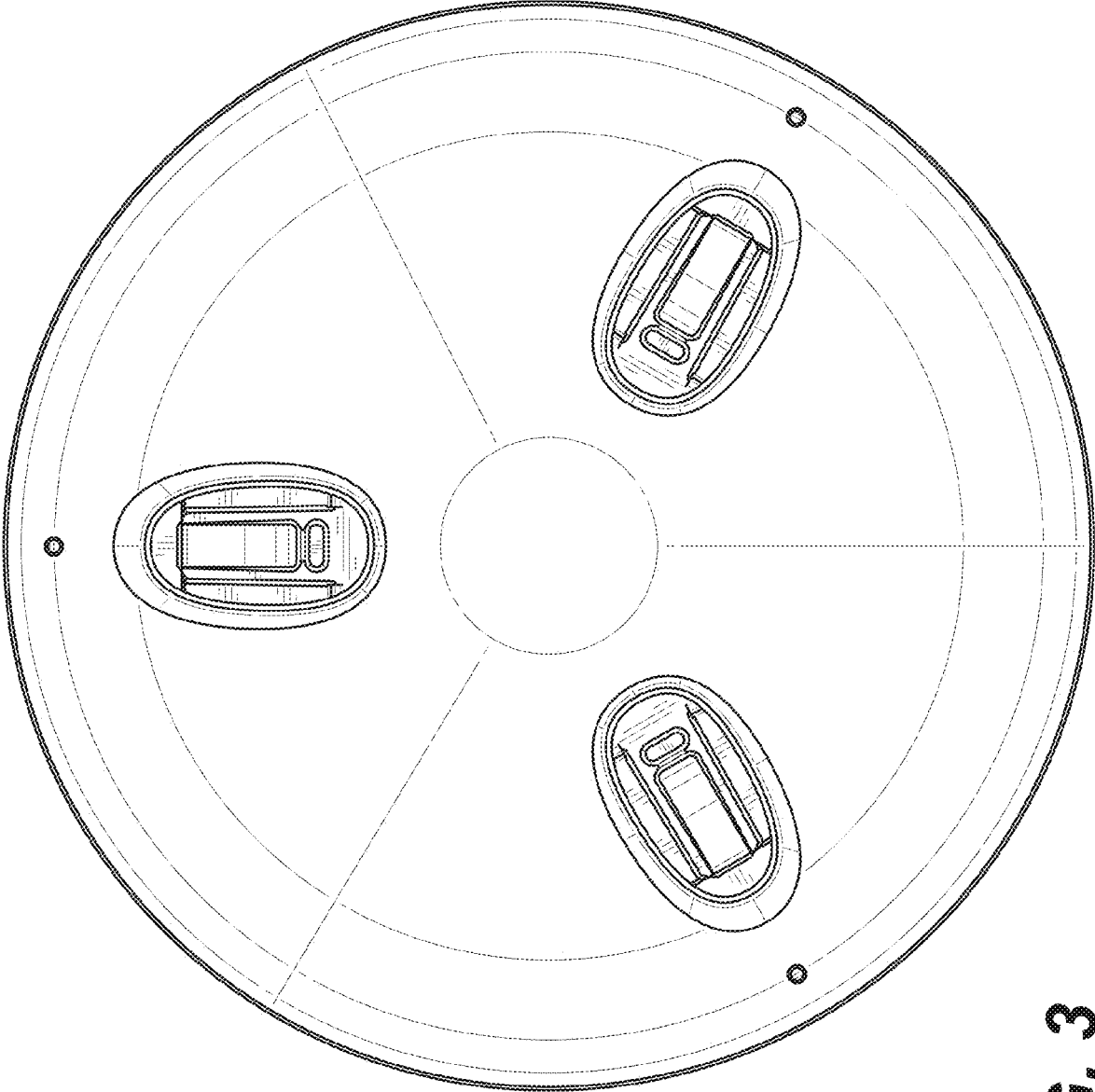
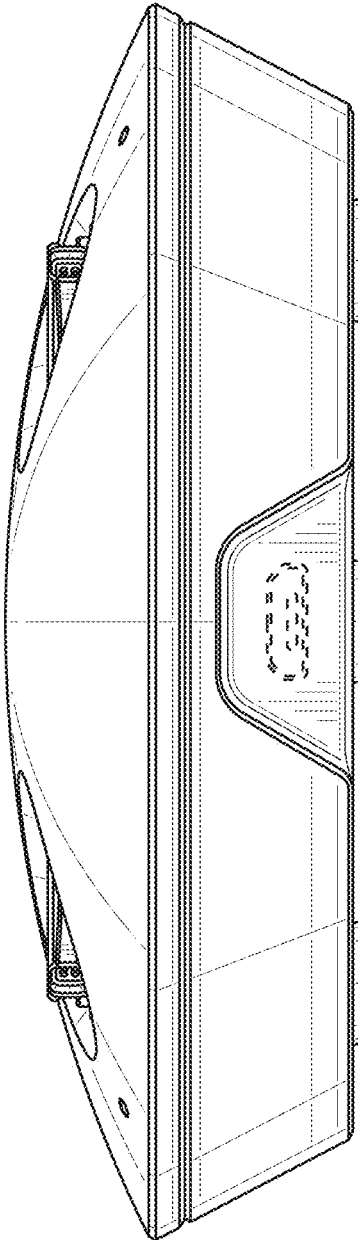


FIG. 2



**FIG. 3**



**FIG. 4**

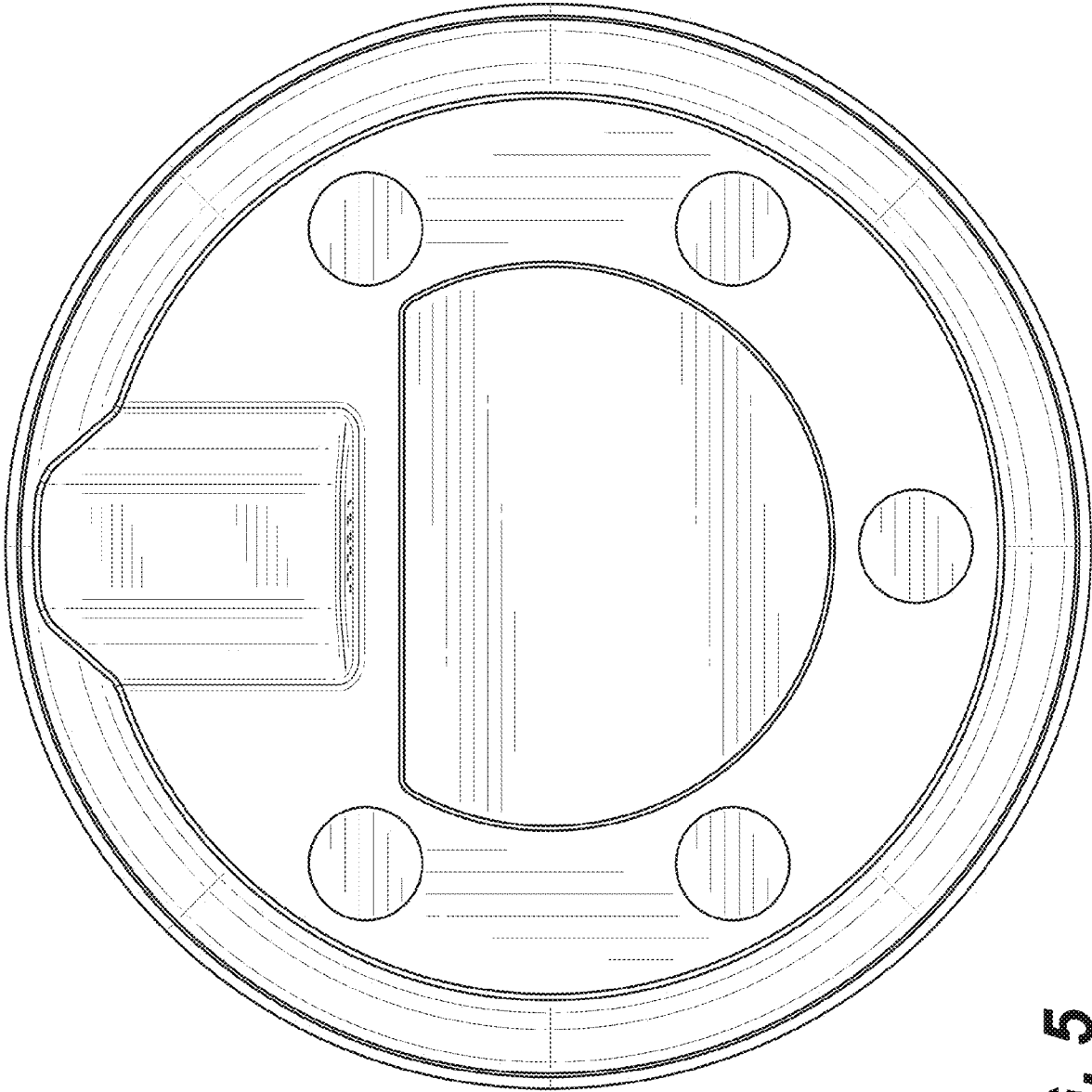
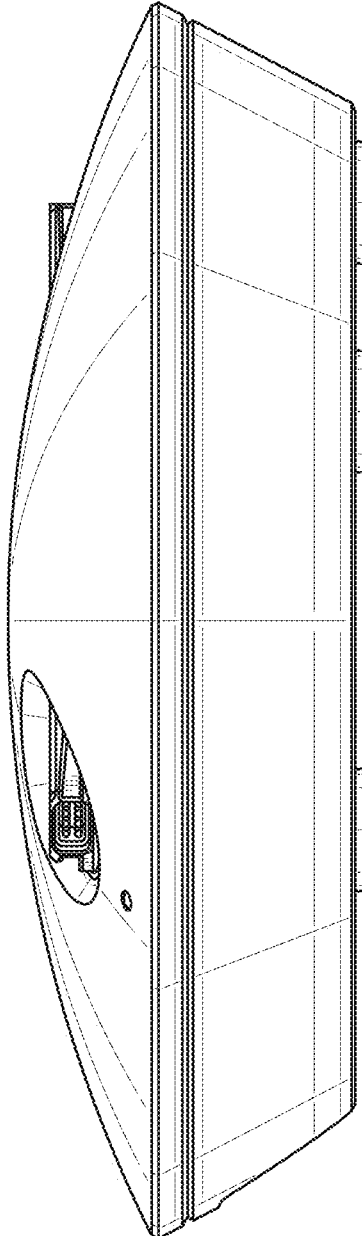
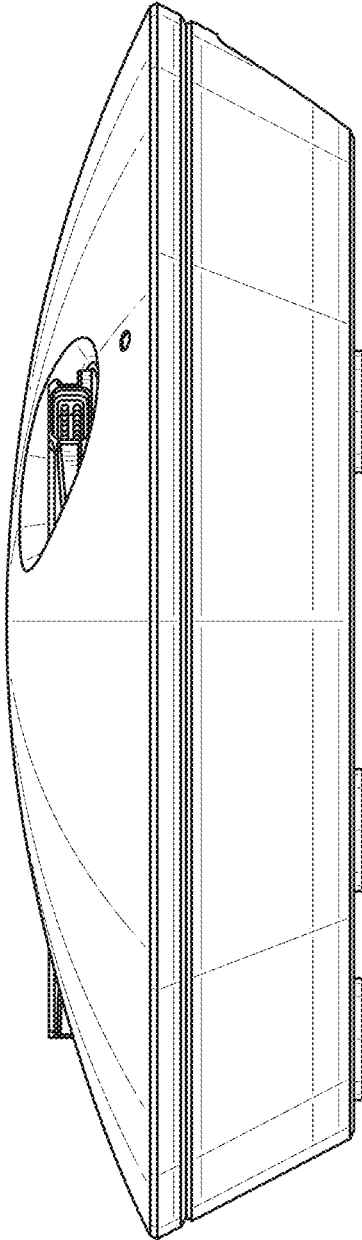


FIG. 5



**FIG. 6**



**FIG. 7**