

(19) World Intellectual Property Organization
International Bureau



(43) International Publication Date
16 November 2006 (16.11.2006)

PCT

(10) International Publication Number
WO 2006/121533 A3

(51) International Patent Classification:
A63F 9/24 (2006.01)

(72) Inventor; and

(21) International Application Number:

PCT/US2006/012338

(75) Inventor/Applicant (for US only): VAN NOLAND, Milton, Charles [US/US]; 116 Murphy Street, Grass Valley, CA 95945 (US).

(22) International Filing Date: 31 March 2006 (31.03.2006)

(74) Agents: SHAMI, Khaled et al.; THELEN REID & PRIEST LLP, P.O. Box 640640, San Jose, CA 95164-0640 (US).

(25) Filing Language: English

(26) Publication Language: English

(30) Priority Data:
60/678,435 6 May 2005 (06.05.2005) US
11/377,999 17 March 2006 (17.03.2006) US

(81) Designated States (unless otherwise indicated, for every kind of national protection available): AE, AG, AL, AM, AT, AU, AZ, BA, BB, BG, BR, BW, BY, BZ, CA, CH, CN, CO, CR, CU, CZ, DE, DK, DM, DZ, EC, EE, EG, ES, FI, GB, GD, GE, GH, GM, HR, HU, ID, IL, IN, IS, JP, KE, KG, KM, KN, KP, KR, KZ, LC, LK, LR, LS, LT, LU, LV, LY, MA, MD, MG, MK, MN, MW, MX, MZ, NA, NG, NI, NO, NZ, OM, PG, PH, PL, PT, RO, RU, SC, SD, SE, SG, SK, SL, SM, SY, TJ, TM, TN, TR, TT, TZ, UA, UG, US, UZ, VC, VN, YU, ZA, ZM, ZW.

(71) Applicant (for all designated States except US): GAMER-RUNNER, INC. [US/US]; 444 South Auburn Street, Grass Valley, CA 95945 (US).

(71) Applicant and
(72) Inventor: GARNER, Joy, Lucette [US/US]; 444 South Auburn Street, Grass Valley, CA 95945 (US).

(84) Designated States (unless otherwise indicated, for every kind of regional protection available): ARIPO (BW, GH, GM, KE, LS, MW, MZ, NA, SD, SL, SZ, TZ, UG, ZM,

[Continued on next page]

(54) Title: MANIFOLD COMPATIBILITY ELECTRONIC OMNI AXIS HUMAN INTERFACE

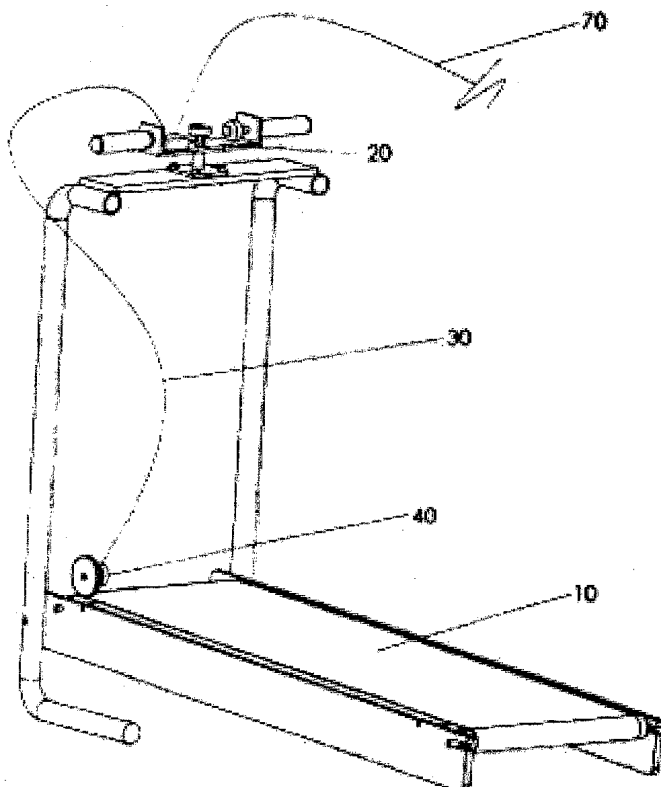


FIG. 2

(57) Abstract: A manifold compatibility omni axis, electronic human interface device comprises a controller operatively coupled to an omni axis steering device having one or more attachments for motion detection, and a stationary fitness device operatively coupled to the controller. The controller comprises a re-centerer for re-centering one or more axis of movement, and a ratio processor for interpreting, transmitting, and adjusting one or more ratios for speed and other axis of movement. The controller is operatively coupled to a computer via a standard interface. The computer is configured to play a virtual reality program based at least in part on input from the controller. The controller is configured to mimic natural steering movements, making a user's physical movements with respect to the omni axis steering device and the stationary fitness device closely resemble movements in the virtual reality program.

WO 2006/121533 A3



ZW), Eurasian (AM, AZ, BY, KG, KZ, MD, RU, TJ, TM),
European (AT, BE, BG, CH, CY, CZ, DE, DK, EE, ES, FI,
FR, GB, GR, HU, IE, IS, IT, LT, LU, LV, MC, NL, PL, PT,
RO, SE, SI, SK, TR), OAPI (BF, BJ, CF, CG, CI, CM, GA,
GN, GQ, GW, ML, MR, NE, SN, TD, TG).

Published:

— *with international search report*

(88) Date of publication of the international search report:

16 April 2009

INTERNATIONAL SEARCH REPORT

International application No.

PCT/US06/12338

A. CLASSIFICATION OF SUBJECT MATTER

IPC: A63F 9/24(2006.01)

USPC: 463/36

According to International Patent Classification (IPC) or to both national classification and IPC

B. FIELDS SEARCHED

Minimum documentation searched (classification system followed by classification symbols)

U.S. : 463/36

Documentation searched other than minimum documentation to the extent that such documents are included in the fields searched

Electronic data base consulted during the international search (name of data base and, where practicable, search terms used)

C. DOCUMENTS CONSIDERED TO BE RELEVANT

Category *	Citation of document, with indication, where appropriate, of the relevant passages	Relevant to claim No.
Y	US 6,283,896 B1 (Grinfeld et al.) 04 September 2001 (04.09.2001) figures 1, 4a and 4b and column 2 and 5.	1-34
Y	US 5,749,577 (Couch et al.) 12 May 1998 (12.05.1998), figure 1 and feature 16.	1-34

Further documents are listed in the continuation of Box C.

See patent family annex.

* Special categories of cited documents:

"A" document defining the general state of the art which is not considered to be of particular relevance

"E" earlier application or patent published on or after the international filing date

"L" document which may throw doubts on priority claim(s) or which is cited to establish the publication date of another citation or other special reason (as specified)

"O" document referring to an oral disclosure, use, exhibition or other means

"P" document published prior to the international filing date but later than the priority date claimed

"T"

later document published after the international filing date or priority date and not in conflict with the application but cited to understand the principle or theory underlying the invention

"X"

document of particular relevance; the claimed invention cannot be considered novel or cannot be considered to involve an inventive step when the document is taken alone

"Y"

document of particular relevance; the claimed invention cannot be considered to involve an inventive step when the document is combined with one or more other such documents, such combination being obvious to a person skilled in the art

"&"

document member of the same patent family

Date of the actual completion of the international search

08 April 2008 (08.04.2008)

Date of mailing of the international search report

22 APR 2008

Name and mailing address of the ISA/US

Mail Stop PCT, Attn: ISA/US
Commissioner for Patents
P.O. Box 1450
Alexandria, Virginia 22313-1450

Facsimile No. (571) 273-3201

Authorized officer

Robert E Pezzuto

Telephone No. (571) 272-3600

