



US00D620267S

(12) **United States Design Patent**
Terrutty

(10) **Patent No.:** **US D620,267 S**

(45) **Date of Patent:** **** Jul. 27, 2010**

(54) **HOCKEY GOAL CHAIR**

(76) Inventor: **Allan Scott Terrutty**, 310 Auburn Dr.,
Oswego, IL (US) 60543

(**) Term: **14 Years**

(21) Appl. No.: **29/348,413**

(22) Filed: **Jan. 2, 2010**

(51) **LOC (9) Cl.** **06-01**

(52) **U.S. Cl.** **D6/358; D6/369; D6/373**

(58) **Field of Classification Search** D6/334-336,
D6/358, 365, 369, 371, 372, 373, 374, 375,
D6/376, 379, 380, 500-502; D21/318; 297/181,
297/411.4, 411.41, 411.42, 448.2, 451.9,
297/452.46, 452.64; 473/471, 476, 478
See application file for complete search history.

(56) **References Cited**

U.S. PATENT DOCUMENTS

D243,571 S *	3/1977	Wisner	D6/369
D286,587 S *	11/1986	Culler	D6/334
D291,949 S *	9/1987	Hendrick	D6/375
D332,183 S *	1/1993	White	D6/369
D343,528 S *	1/1994	Hess	D6/376
D430,973 S *	9/2000	Frankel et al.	D6/334

D434,233 S *	11/2000	Frankel et al.	D6/334
6,770,003 B2 *	8/2004	Loverock et al.	473/478
D525,796 S *	8/2006	Thomkins	D6/369

* cited by examiner

Primary Examiner—Mimosa De

(57) **CLAIM**

The ornamental design for a hockey goal chair, as shown and described.

DESCRIPTION

FIG. 1 is a perspective view of an ornamental design for a hockey goal chair showing my new design;

FIG. 2 is a front elevation view thereof;

FIG. 3 is a top plan view thereof;

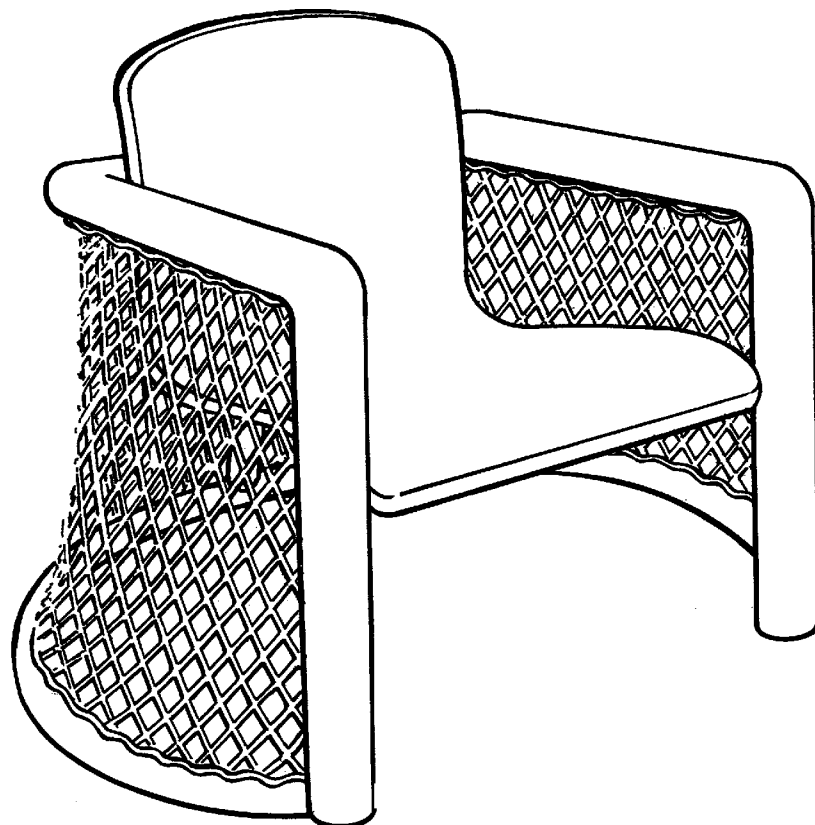
FIG. 4 is a rear elevation view thereof;

FIG. 5 is a bottom plan view thereof;

FIG. 6 is a right side view thereof, portion of the net is not shown to illustrate part of the seat and backrest; and,

FIG. 7 is a left side view thereof, portion of the net is not shown to illustrate part of the seat and backrest.

1 Claim, 4 Drawing Sheets



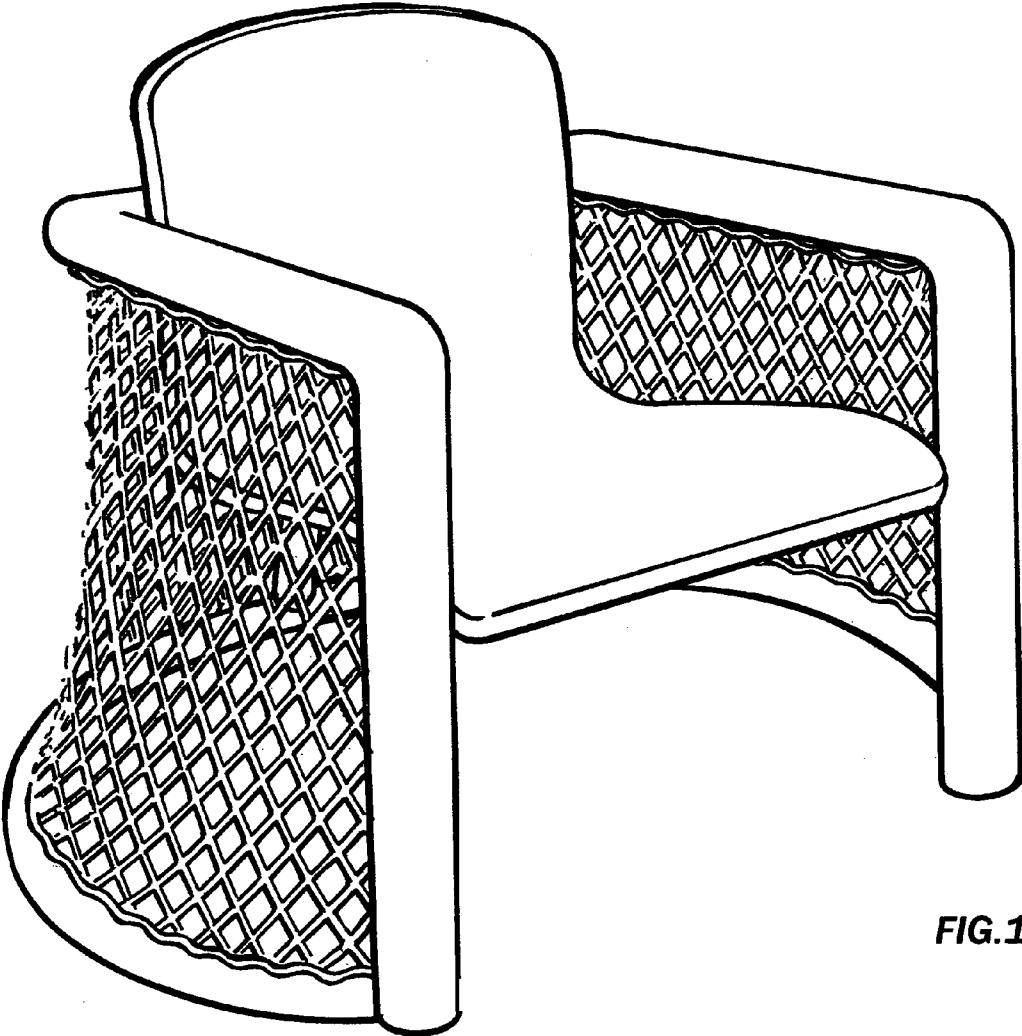


FIG. 1

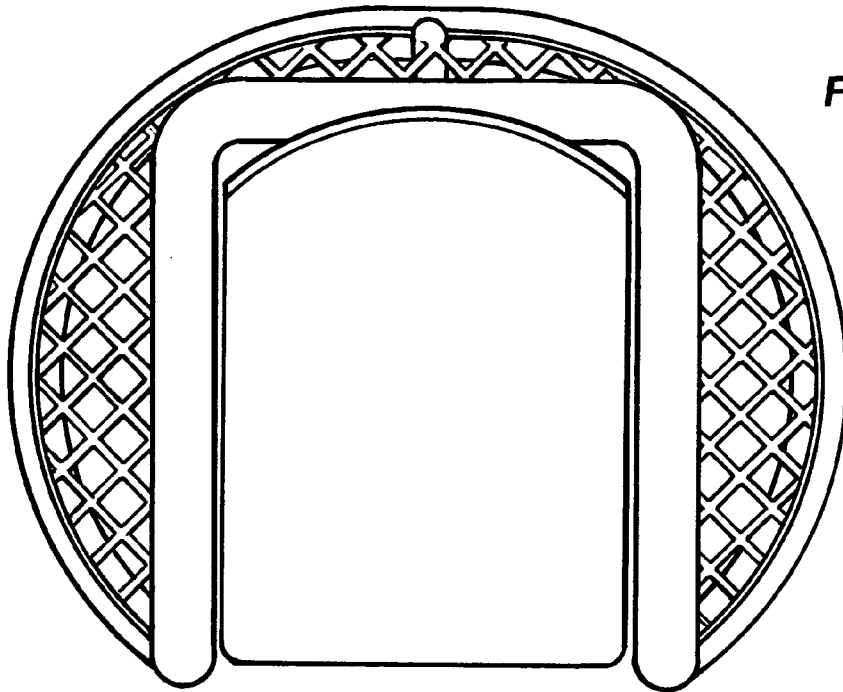


FIG. 3

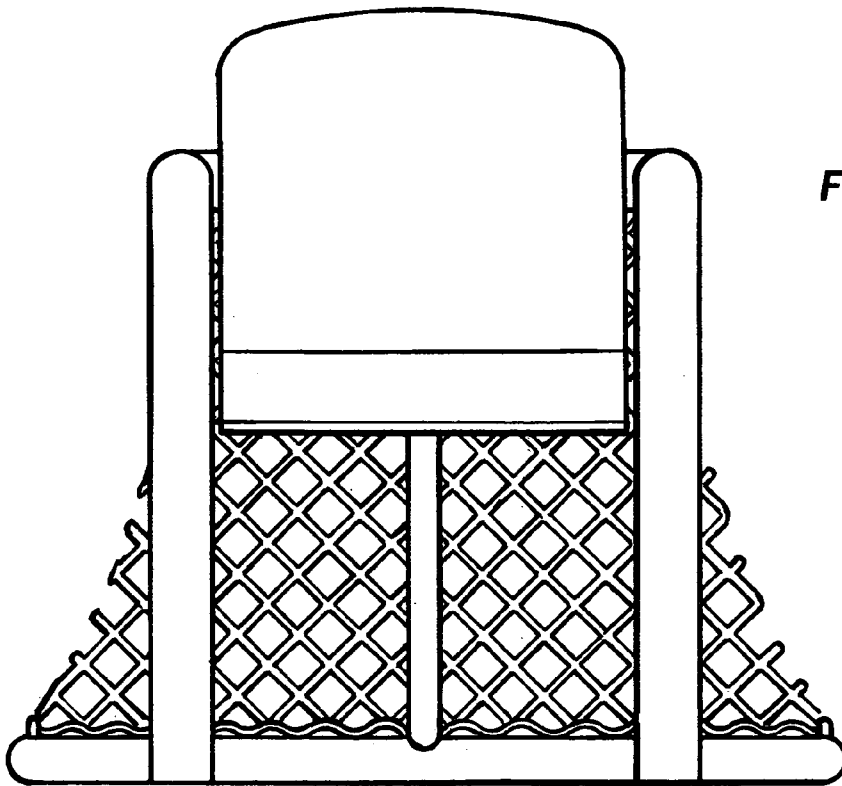


FIG. 2

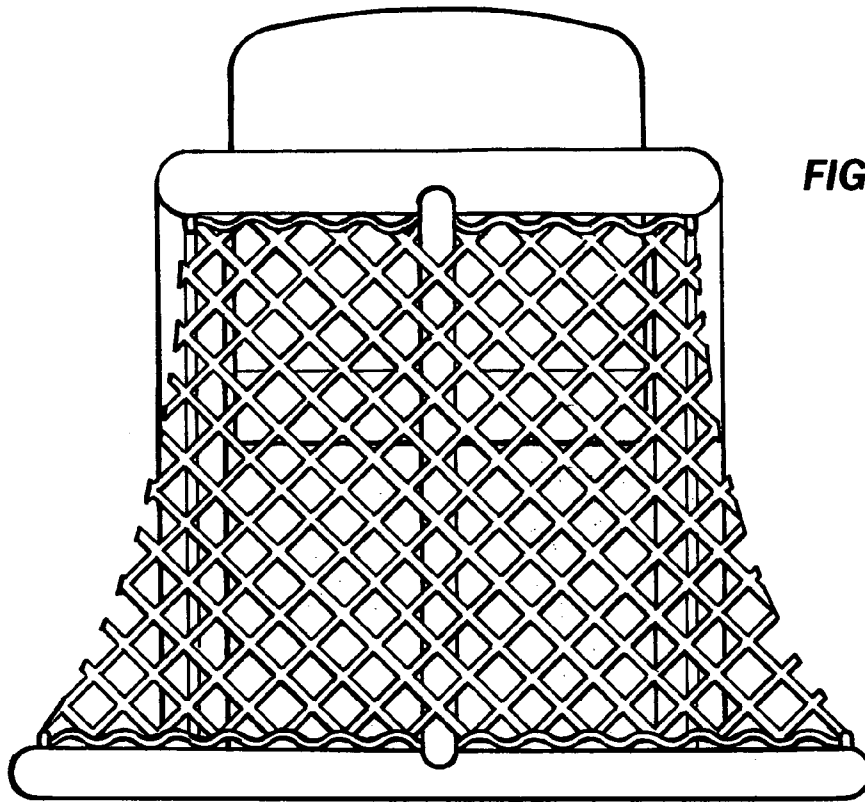


FIG. 4

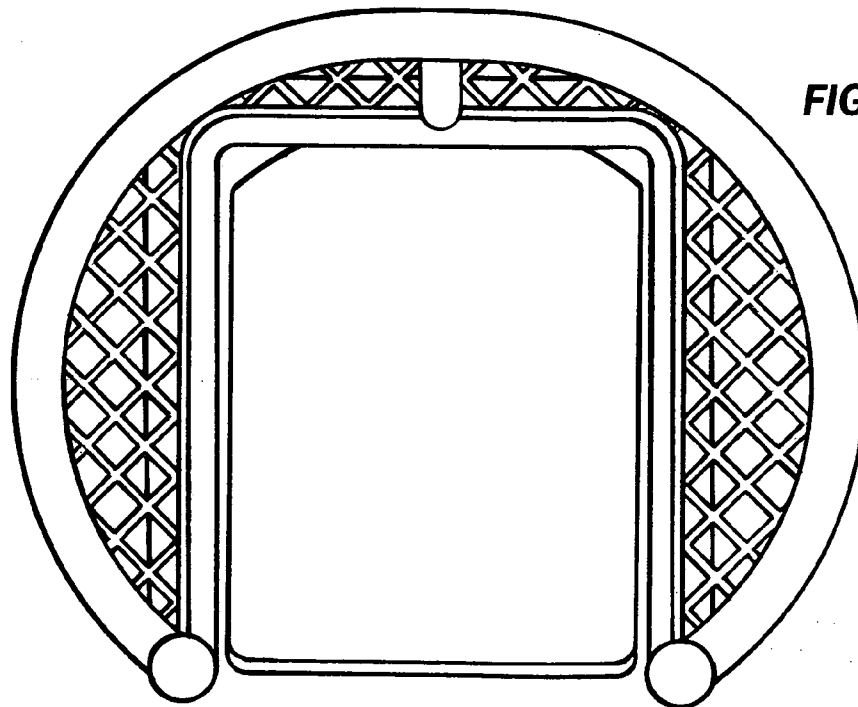


FIG. 5

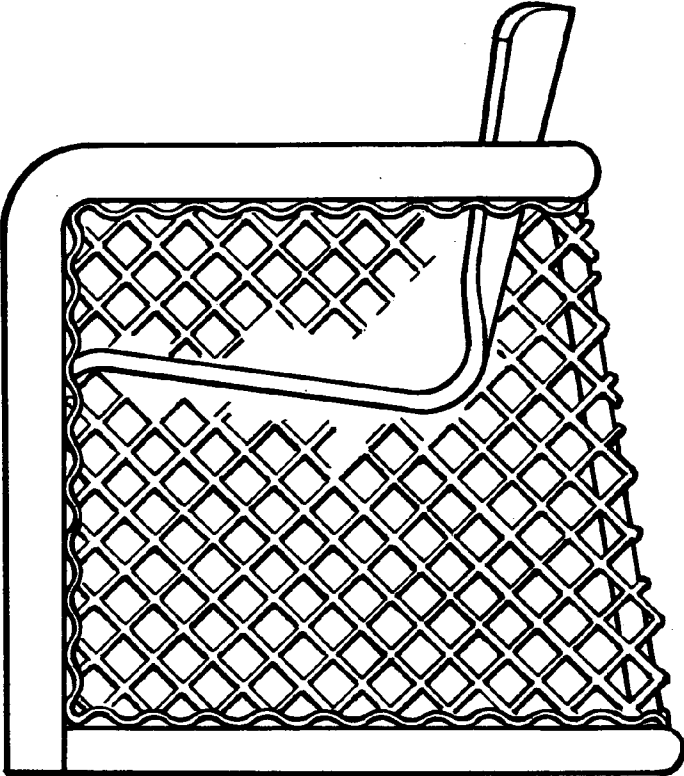


FIG. 6

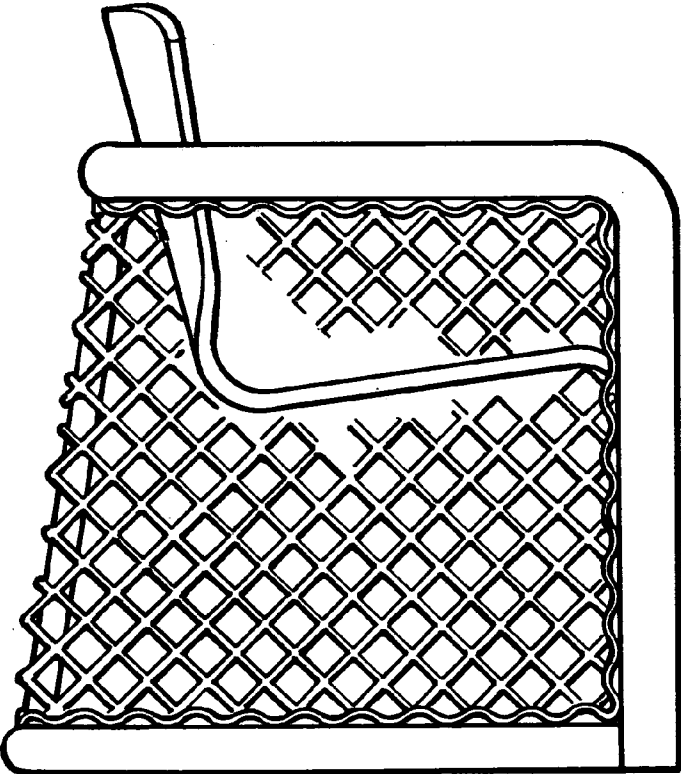


FIG. 7