



US00D802730S

(12) **United States Design Patent**
Arnold, Jr.

(10) **Patent No.:** **US D802,730 S**

(45) **Date of Patent:** **** Nov. 14, 2017**

- (54) **CHIMNEY POT**
- (71) Applicant: **John G. Arnold, Jr.**, Tulsa, OK (US)
- (72) Inventor: **John G. Arnold, Jr.**, Tulsa, OK (US)
- (**) Term: **15 Years**
- (21) Appl. No.: **29/559,087**
- (22) Filed: **Mar. 24, 2016**
- (51) **LOC (10) Cl.** **23-04**
- (52) **U.S. Cl.**
USPC **D23/374**
- (58) **Field of Classification Search**
USPC D23/314, 351, 355, 364, 370-397,
D23/398-403, 415-418, 499
CPC F24F 7/02; F24F 7/025; F23J 2213/50
See application file for complete search history.

D619,237 S	7/2010	Arnold, Jr.	
D627,045 S *	11/2010	Arnold, Jr.	D23/374
D677,375 S *	3/2013	Arnold, Jr.	D23/373
D678,498 S *	3/2013	Proulx	D23/373
8,696,416 B1 *	4/2014	Arnold, Jr.	F23L 17/04 454/12
2006/0246833 A1 *	11/2006	Arnold, Jr.	E04F 17/026 454/12
2015/0308323 A1 *	10/2015	Nagano	F23J 11/00 60/324

(Continued)

(56) **References Cited**

U.S. PATENT DOCUMENTS

D52,501 S *	9/1918	White et al.	D23/336
1,672,291 A *	6/1928	Williams	F24F 7/02 454/20
D102,181 S *	12/1936	Engl	D23/336
D143,003 S *	11/1945	Hoiland	D23/402
2,763,196 A *	9/1956	Singleton	F23L 17/02 454/3
2,868,106 A *	1/1959	Knutson	F24F 7/025 454/355
4,351,781 A *	9/1982	Blatter	F24F 6/04 239/193
D289,323 S *	4/1987	Yamaguchi	D23/416
D299,529 S *	1/1989	Best	D23/373
D310,262 S *	8/1990	Lemire	D23/336
5,125,198 A *	6/1992	Giumenta	E04F 17/026 285/424
D382,951 S *	8/1997	Deines	D23/332
D396,100 S *	7/1998	Brummer	D23/374
D488,550 S *	4/2004	Taylor	D23/374
D535,010 S *	1/2007	Arnold, Jr.	D23/374
D592,298 S	5/2009	Arnold, Jr.	

OTHER PUBLICATIONS

European Copper Chimney Pots, first archived May 5, 2016, earthcore.co, site visited May 24, 2017, Copyright © 2017, Available from Internet, <<https://web.archive.org/web/20160505165759/https://earthcore.co/product/european-copper-chimney-pots/>>.*

Primary Examiner — Cathron Brooks

Assistant Examiner — Sharon S Oum

(74) *Attorney, Agent, or Firm* — Head, Johnson, Kachigian & Wilkinson, PC

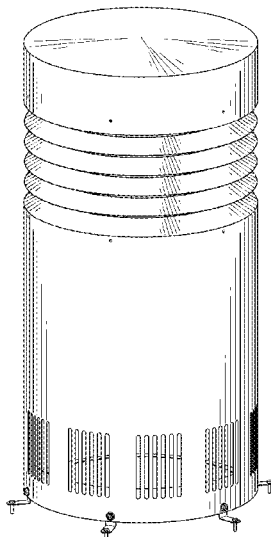
(57) **CLAIM**

The ornamental design for a chimney pot, as shown and described.

DESCRIPTION

FIG. 1 is a front perspective view of my design; FIG. 2 is a front view thereof, the rear view being a mirror image thereof; FIG. 3 is a right side view, the left side view being a mirror image thereof; FIG. 4 is a top view thereof; and, FIG. 5 is a bottom view thereof. The features shown in broken lines in FIG. 5, and the corresponding lines that are visible in FIG. 1, form no part of the claimed design.

1 Claim, 4 Drawing Sheets



(56)

References Cited

U.S. PATENT DOCUMENTS

2016/0040898 A1* 2/2016 Lipinski F23L 17/04
454/242

* cited by examiner

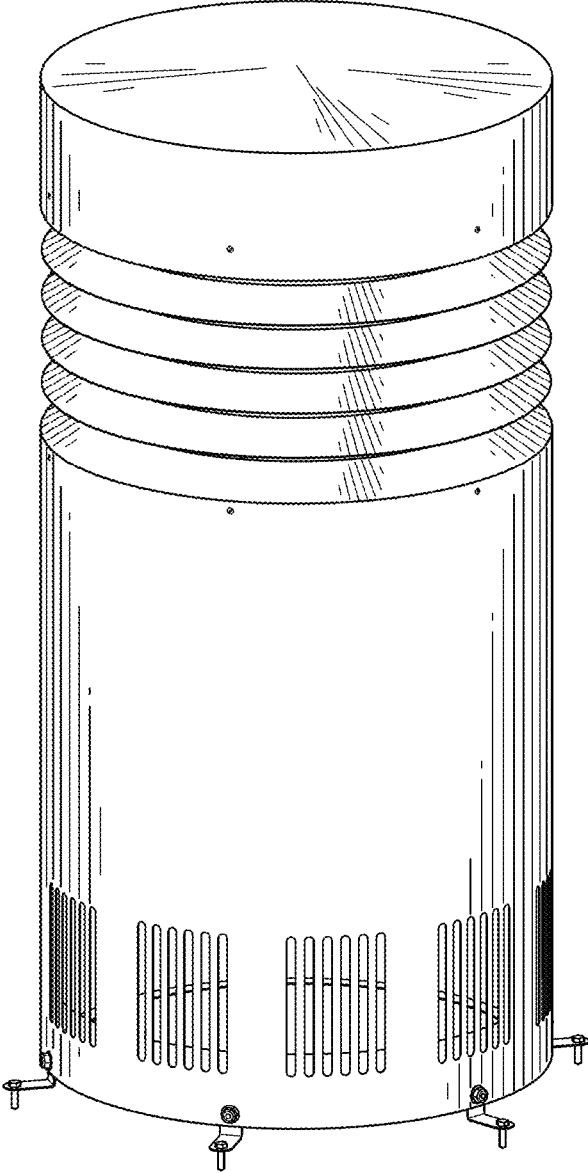


FIG. 1

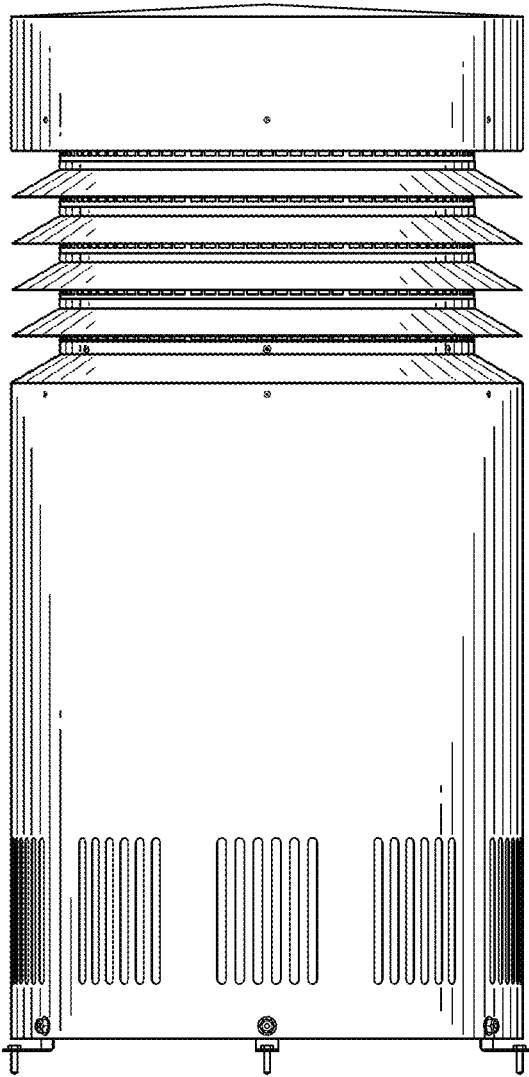


FIG. 2

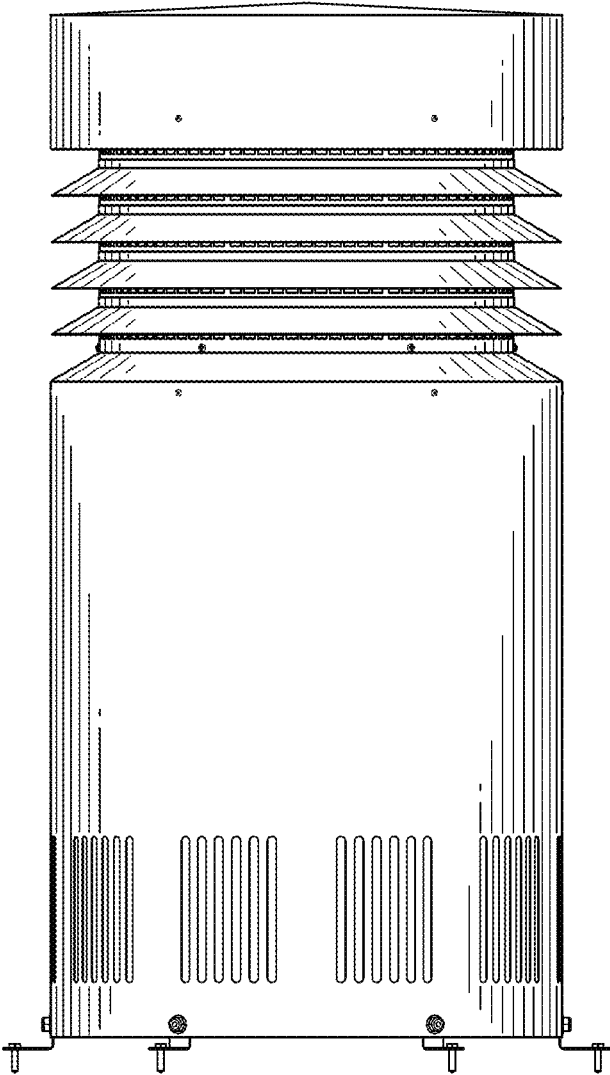


FIG. 3

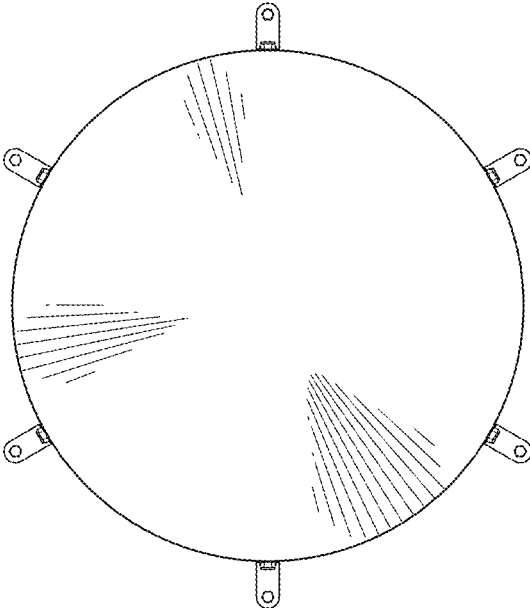


FIG. 4

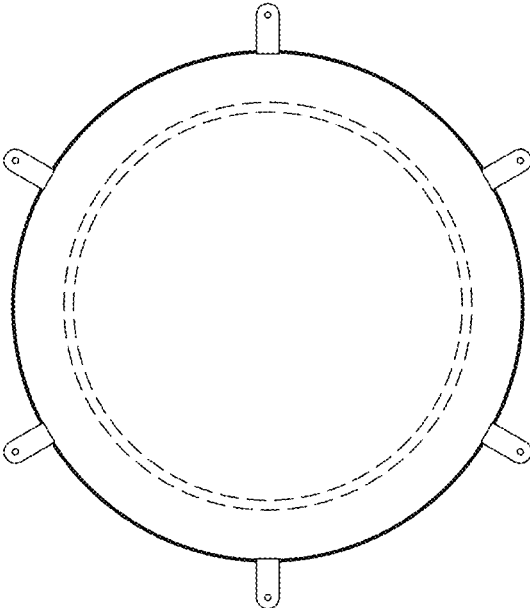


FIG. 5