

(19) World Intellectual Property Organization  
International Bureau



(43) International Publication Date  
21 December 2007 (21.12.2007)

PCT

(10) International Publication Number  
**WO 2007/146236 A3**

- (51) **International Patent Classification:**  
A47G 1/06 (2006.01)
- (21) **International Application Number:**  
PCT/US2007/013695
- (22) **International Filing Date:** 11 June 2007 (11.06.2007)
- (25) **Filing Language:** English
- (26) **Publication Language:** English
- (30) **Priority Data:**  
11/453,339 14 June 2006 (14.06.2006) US
- (71) **Applicant (for all designated States except US):** SENTIAM, INC.; 3211 Park Place, Evanston, IL 60201 (US).
- (72) **Inventors; and**
- (75) **Inventors/Applicants (for US only):** REINOLD, Juergen [DE/US]; 705 Woodland Street, Palatine, IL 60074 (US). MCAULIFFE, Thomas, M. [US/US]; 3211 Park Place, Evanston, IL 60201 (US). SHAIL, Rajat [IN/US]; 3610 Lakeshore Drive, Apartment #C1, St. Joseph, MI 49085 (US).
- (74) **Agent:** NICKLA, Jason, T.; Beem Patent Law Firm, 53 W. Jackson Blvd., Suite 1352, Chicago, IL 60604 (US).
- (81) **Designated States (unless otherwise indicated, for every kind of national protection available):** AE, AG, AL, AM,

AT, AU, AZ, BA, BB, BG, BH, BR, BW, BY, BZ, CA, CH, CN, CO, CR, CU, CZ, DE, DK, DM, DO, DZ, EC, EE, EG, ES, FI, GB, GD, GE, GH, GM, GT, HN, HR, HU, ID, IL, IN, IS, JP, KE, KG, KM, KN, KP, KR, KZ, LA, LC, LK, LR, LS, LT, LU, LY, MA, MD, ME, MG, MK, MN, MW, MX, MY, MZ, NA, NG, NI, NO, NZ, OM, PG, PH, PL, PT, RO, RS, RU, SC, SD, SE, SG, SK, SL, SM, SV, SY, TJ, TM, TN, TR, TT, TZ, UA, UG, US, UZ, VC, VN, ZA, ZM, ZW.

(84) **Designated States (unless otherwise indicated, for every kind of regional protection available):** ARIPO (BW, GH, GM, KE, LS, MW, MZ, NA, SD, SL, SZ, TZ, UG, ZM, ZW), Eurasian (AM, AZ, BY, KG, KZ, MD, RU, TJ, TM), European (AT, BE, BG, CH, CY, CZ, DE, DK, EE, ES, FI, FR, GB, GR, HU, IE, IS, IT, LT, LU, LV, MC, MT, NL, PL, PT, RO, SE, SI, SK, TR), OAPI (BF, BJ, CF, CG, CI, CM, GA, GN, GQ, GW, ML, MR, NE, SN, TD, TG).

**Declarations under Rule 4.17:**

- as to applicant's entitlement to apply for and be granted a patent (Rule 4.17(ii))
- as to the applicant's entitlement to claim the priority of the earlier application (Rule 4.17(iii))

**Published:**

- with international search report

[Continued on next page]

(54) **Title:** IMAGE DISPLAY APPARATUS AND METHOD FOR MAKING SAME

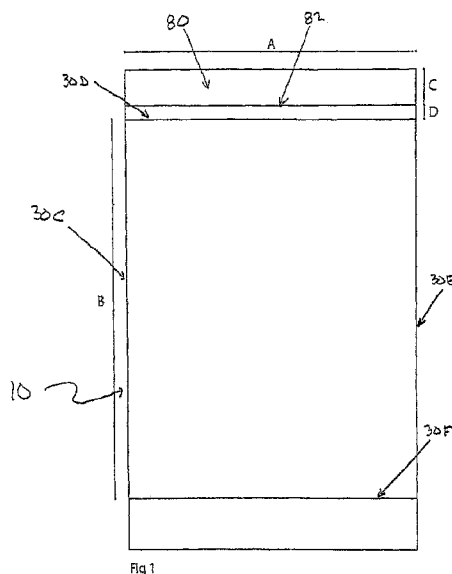


Fig. 1

(57) **Abstract:** An apparatus for the display of images comprises one or more graphical images, a rigid image support, at least one stand off, and a rigid display structure. A graphical image is affixed to the rigid image support typically through the use of adhesive. One end of the stand off is attached to the image support while the other end of the stand off is attached to the display structure. The attachment on at least one end of the stand off is releasable. The releasable attachment may be achieved with one or more magnets. The display structure contains features that allow attachment to a mounting surface and may contain features that enhance the display of the graphic image.

WO 2007/146236 A3



— *before the expiration of the time limit for amending the claims and to be republished in the event of receipt of amendments*

**(88) Date of publication of the international search report:**  
9 October 2008

**INTERNATIONAL SEARCH REPORT**

International application No.

PCT/US07/13695

**A. CLASSIFICATION OF SUBJECT MATTER**

IPC: A47G 1/06( 2006.01)

USPC: 40/773

According to International Patent Classification (IPC) or to both national classification and IPC

**B. FIELDS SEARCHED**

Minimum documentation searched (classification system followed by classification symbols)  
U.S. : 40/773

Documentation searched other than minimum documentation to the extent that such documents are included in the fields searched

Electronic data base consulted during the international search (name of data base and, where practicable, search terms used)  
EAST search 40/\$ AND (standoff OR stand ADJ2 off)

**C. DOCUMENTS CONSIDERED TO BE RELEVANT**

Category *	Citation of document, with indication, where appropriate, of the relevant passages	Relevant to claim No.
X --- Y	US 6,379,207 B1 (TUCKER) 30 April 2002 (30.04.2002), Figure 3 and column 2 line 46 through column 3 line 17.	1,3-11,14,15 ----- 2,12,13
Y	US 5,711,100 A (ELMER) 27 January 1998 (27.01.1998), Figure 1A and column 2 line 57 through column 3 line 18.	2
Y	US 2006/0080878 A1 (KITTRELL, III) 20 April 2006 (20.04.2006), paragraph [0070].	12,13

<input type="checkbox"/> Further documents are listed in the continuation of Box C.	<input type="checkbox"/> See patent family annex.
* Special categories of cited documents:	
"A" document defining the general state of the art which is not considered to be of particular relevance	"T" later document published after the international filing date or priority date and not in conflict with the application but cited to understand the principle or theory underlying the invention
"E" earlier application or patent published on or after the international filing date	"X" document of particular relevance; the claimed invention cannot be considered novel or cannot be considered to involve an inventive step when the document is taken alone
"L" document which may throw doubts on priority claim(s) or which is cited to establish the publication date of another citation or other special reason (as specified)	"Y" document of particular relevance; the claimed invention cannot be considered to involve an inventive step when the document is combined with one or more other such documents, such combination being obvious to a person skilled in the art
"O" document referring to an oral disclosure, use, exhibition or other means	"&" document member of the same patent family
"P" document published prior to the international filing date but later than the priority date claimed	

Date of the actual completion of the international search 14 May 2008 (14.05.2008)	Date of mailing of the international search report <b>04 AUG 2008</b>
Name and mailing address of the ISA/US Mail Stop PCT, Attn: ISA/US Commissioner for Patents P.O. Box 1450 Alexandria, Virginia 22313-1450 Facsimile No. (571) 273-3201	Authorized officer <i>Joanne Silbermann</i> Telephone No. 571-272-3600